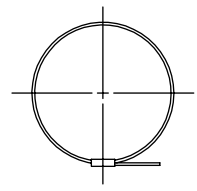
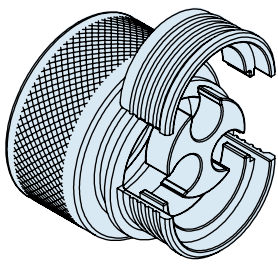
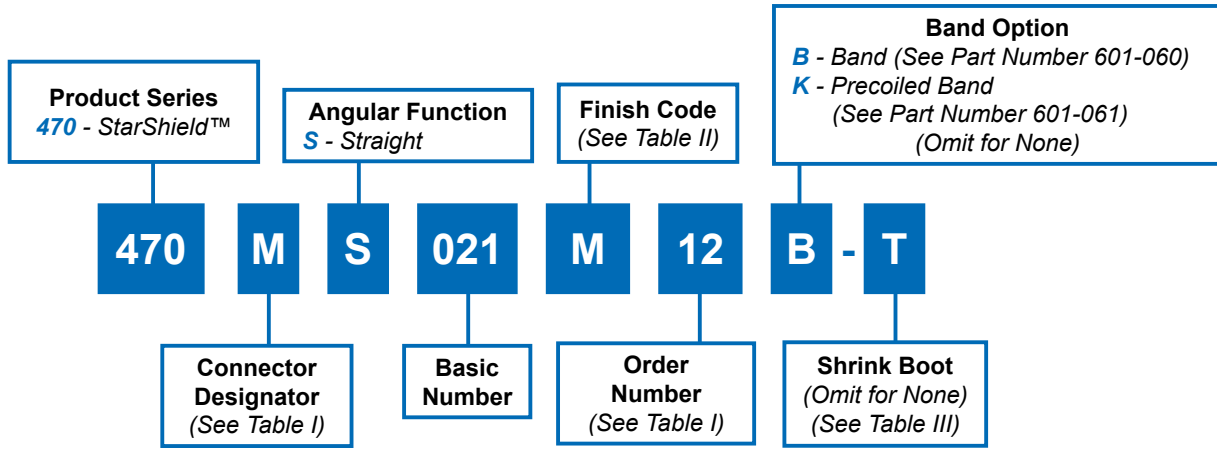


470-021 StarShield™ environmental EMI/RFI Shield Termination Backshell for 800 Series Mighty Mouse Connectors

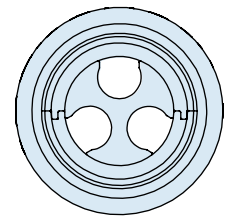
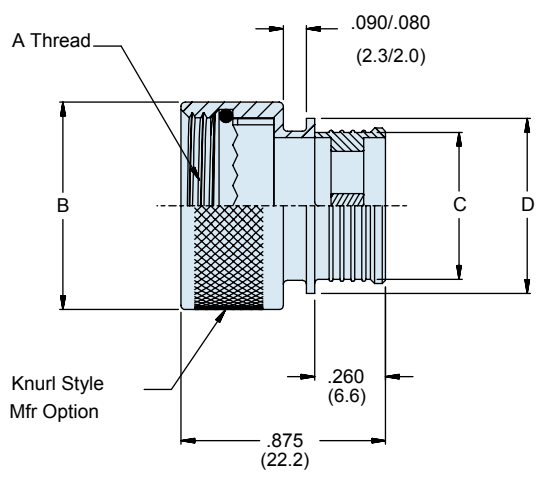


StarShield™ direct coupling, Mighty Mouse backshell with split banding porch

B



SYMBOL K
Band



Dimensions in inches (millimeters) and are subject to change without notice.

470-021
StarShield™ environmental EMI/RFI Shield
Termination Backshell
for 800 Series Mighty Mouse Connectors



Table I: Dimensions							
Order No	Shell Size Ref		A Thread Class -2B	B Dia Max	C Dia	D Dia	No. Of Ferrules
	800/801 803/804	805					
07 <small>see Note 3</small>	07	09	7/16-28 UNEF	0.530 (13.4)	.414 (10.5)	.516 (13.1)	1
09 <small>see Note 3</small>	09	11	9/16-24 UNEF	0.650 (16.5)	.414 (10.5)	.516 (13.1)	1
10	10	12	5/8-24 UNEF	0.715 (13.0)	.539 (13.7)	.641 (16.3)	2
12	11/12/13	13	11/16-24 UNEF	0.785 (19.9)	.601 (15.3)	.703 (17.9)	3
13	N/A	15	3/4-20 UNEF	0.830 (21.0)	.601 (15.3)	.703 (17.9)	3
14	14/15/16/17	18/19	15/16-20 UNEF	1.020 (25.9)	.851 (21.6)	.953 (24.2)	7
17	21	23	1 3/16-18 UNEF	1.280 (32.5)	.914 (23.2)	1.016 (25.8)	12

Table II: Material and Finish Options	
Code	Material; Finish Description
M	Aluminum; electroless nickel
MT	Aluminum; nickel - PTFE
NF	Aluminum; CAD/O. D. over electroless nickel
ZN	Aluminum; zinc nickel/O. D. over electroless nickel
ZR	Aluminum; zinc nickel/black over electroless nickel (RoHS)
ZRC	Aluminum; zinc nickel over electroless nickel (RoHS)
Z1	Stainless steel; passivate
ZM	Stainless steel; electroless nickel

Table III: Shrink Boot	
Order No	Shrink Boot Ref
07	809S060 -3
09	809S060 -3
10	809S060 -4
12	809S060 -4
13	809S060 -4
14	809S060 -5
17	809S060 -6

Material/Finish	
Adapter, Star, Clamp	See Table II
O-ring	Silicone/n.a.
Band	Stainless steel/passivate.

Notes:

1. Assembly identified with manufacturer's name and P/N space permitting.
2. Glenair 600 series backshell assembly tools are recommended for assembly and installation.
3. Star not supplied with order number 07 & 09.
4. Ferrule kit sold separately. See part number 687-858 in this catalog.

Dimensions in inches (millimeters) and are subject to change without notice.