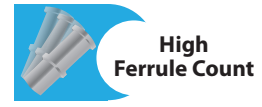
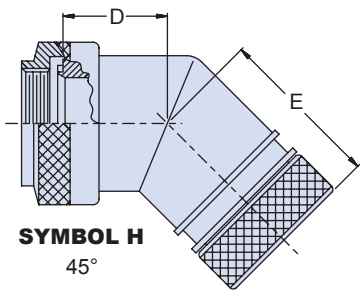
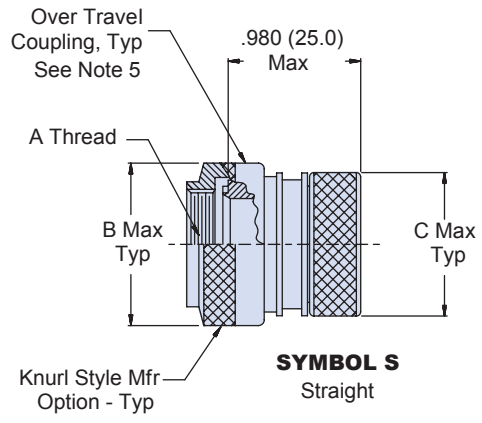
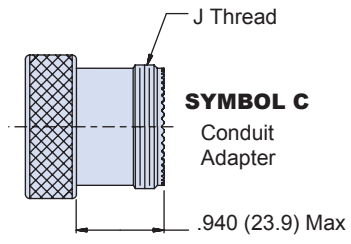
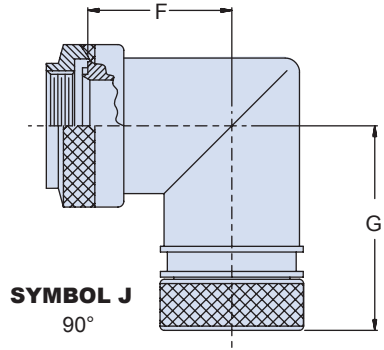
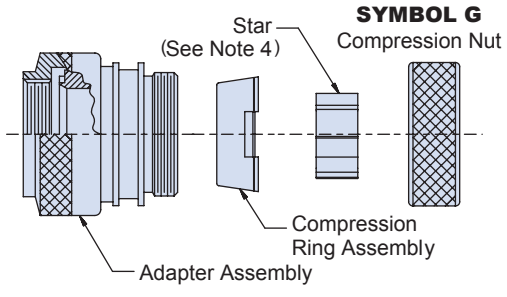
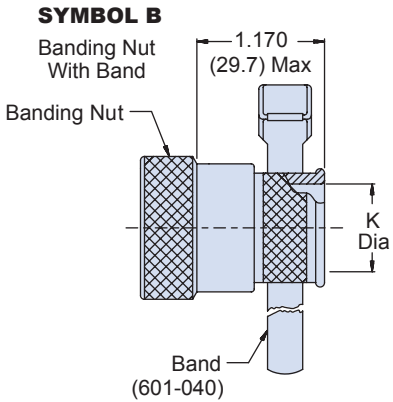
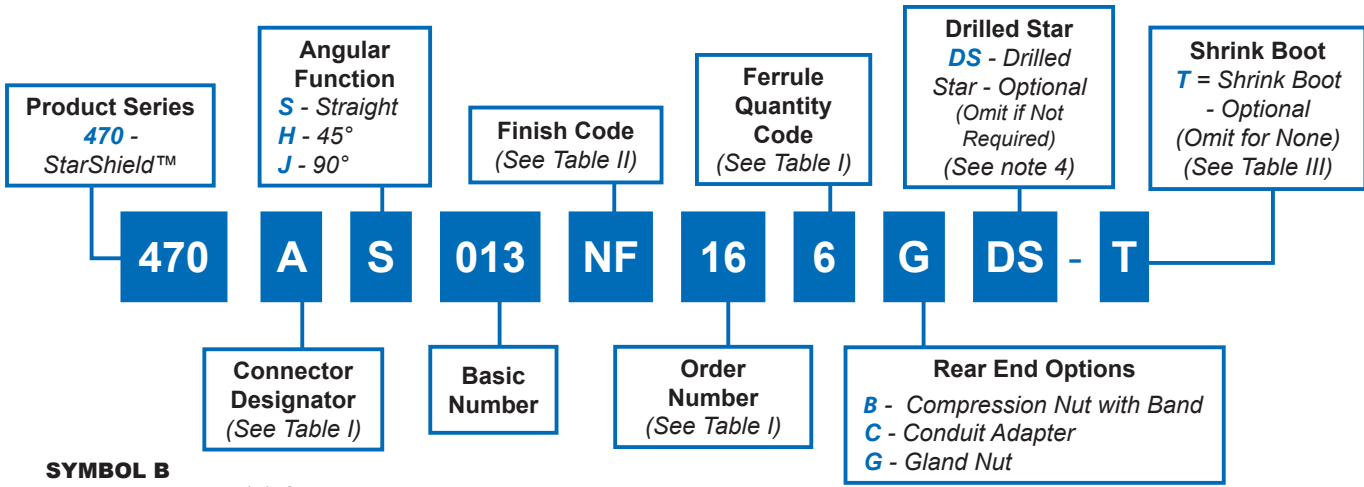




470-013
StarShield™ EMI/RFI Shield Termination Backshell
 for MIL-DTL-83723 Series I & III, 5015 MS400 Series, AS81703
 Series 3, and MIL-C- 26482 Series 2



StarShield™ environmental backshell with self-nestor coupling and rear end options



Dimensions in inches (millimeters) and are subject to change without notice.

470-015

StarShield™ EMI/RFI Shield Termination Backshell for MIL-DTL-38999 Series I and II Connectors



Table I : Dimensions

Order No	Connector Shell Size		A Thread Class 2 B	B DIA MAX	C Dia Max	D Max	E Max	F Max
	MIL-DTL-38999 Series II	MIL-DTL-38999 Series I						
08	08	09	7/16-28 UNEF	.69(17.5)	.690 (17.5)	.750 (19.1)	1.000 (25.4)	.880 (22.4)
10	10	11	9/16-24 UNEF	.81(20.6)	.850 (21.5)	.780 (19.8)	1.020 (26.0)	.960 (24.4)
12	12	13	11/16-24 UNEF	.94(23.9)	.890 (22.5)	.810 (20.6)	1.040 (26.5)	1.000 (25.4)
14	14	15	13/16-20 UNEF	1.06(26.9)	1.000 (25.4)	.830 (21.1)	1.080 (27.5)	1.070 (27.2)
16	16	17	15/16-20 UNEF	1.17(29.7)	1.120 (28.5)	.860 (21.8)	1.100 ((28.0)	1.130 (28.7)
18	18	19	1 1/16-18 UNEF	1.29(32.8)	1.240 (31.5)	.880 (22.4)	1.120 (28.5)	1.180 (30.0)
20	20	21	1 3/16-18 UNEF	1.41(35.8)	1.380 (35.0)	.910 (23.1)	1.140 (29.0)	1.250 (31.8)
22	22	23	1 5/16-18 UNEF	1.54(39.1)	1.500 (38.0)	.930 (23.6)	1.180 (30.0)	1.310 (33.3)
24	24	25	1 7/16-18 UNEF	1.66(42.2)	1.610 (41.0)	.940 (23.9)	1.220 (31.0)	1.360 (34.5)

Table I: (Continued)

Order No.	G Max	J Thread ISO Metric	K ± .004 (.10)	Ferrule Quantity (See Note 4)	
				Std.	Opt.
09	1.140 (29.0)	M12 X 1 - 6g	.315 (8.00)	1	-
11	1.200 (30.5)	M15 X 1 - 6g	.531 (13.5)	2	-
13	1.260 (32.0)	M18 X 1 - 6g	.591 (15.0)	3	-
15	1.320 (33.5)	M22 X 1 - 6g	.709 (18.0)	5	-
17	1.380 (35.0)	M25 X 1 - 6g	.827 (21.0)	6	7
19	1.440 (36.5)	M28 X 1 - 6g	.945 (24.0)	7	-
21	1.520 (38.5)	M31 X 1 - 6g	1.063 (27.0)	9	11
23	1.570 (40.0)	M34 X 1 - 6g	1.181 (30.0)	10	13
25	1.630 (41.5)	M37 X 1 - 6g	1.299 (33.0)	12	17

Table II: Material and Finish Options

Code	Material; Finish Description
M	Aluminum; electroless nickel
MT	Aluminum; nickel - PTFE
NF	Aluminum; CAD/O. D. over electroless nickel
ZN	Aluminum; zinc nickel/O. D. over electroless nickel
ZR	Aluminum; zinc nickel/black over electroless nickel (RoHS)
ZRC	Aluminum; zinc nickel over electroless nickel (RoHS)
Z1	Stainless steel; passivate
ZM	Stainless steel; electroless nickel

Material/Finish

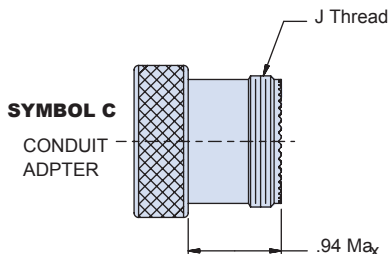
Backshell, elbows, coupling and gland nut, compression ring and star	Aluminum alloy or CRES/Table II
Anti-decoupling device	Corrosion resistant material
O-ring	Silicone/n.a.
Band	CRES/passivate

Table III: Shrink Boot

Shell Size	Shrink Boot Part Number
09	770-001S103
11	770-001S105
13	770-001S105
15	770-001S106
17	770-001S106
19	770-001S107
21	770-001S107
23	770-001S107
25	770-001S108

Notes:

1. Assembly identified with manufacturer's name, part number and date code, space permitting.
2. For effective grounding, connector with conductive finish should be used.
3. Glenair 600 Series Backshell Assembly Tools are recommended for assembly and installation.
4. Star not supplied with order number 09. Drilled star is available on order numbers 15-25 only. If optional ferrule quantity per Table I is selected, one split and one solid star will be supplied.
5. Self-locking functionality, eliminates lock-wire requirements.
6. Ferrule kit sold separately.
687-764 ferrule and HST device kit
687-809 ferrule and sealing device kit
687-748 solder ferrule
687-841-01 HST flex device



Dimensions in inches (millimeters) and are subject to change without notice.