



BATTLE-TESTED

STAR-PAN™

Host/EUD cables and adapters



STAR-PAN-TO-HOST/EUD CABLES, ADAPTERS, AND ACCESSORIES

Part No.	NATO Stock No. NSN	Description	Page No.
808-101	5995-01-683-8691	Panasonic® Toughpad® FZ-M1/FZ-B2 Adapter	133
808-103	5935-01-683-8596	Toughpad® FZ-M1/FZ-B2 Adapter with Cable	134
TS3-003		TS3-003 Panasonic® FZ-M1 Voltage-Regulated Adapter Cable	135
808-281	5995-01-683-1103	Juggernaut QD USB-C Host Cable with Power Delivery	136
TS1-020		Juggernaut USB-C to Mighty Mouse Plug cable	137
TS3-052		Juggernaut USB-C Charging Cable with Power Delivery	138
TS1-095		6P7 Receptacle-to-Receptacle Cable	139
TS1-096		6P7 Plug-to-Plug Cable	140
TS1-081		Juggernaut S21 IMPCT USB-C to Mighty Mouse Plug cable	141
808-135	5995-01-668-8832	USB-C Cable	142
808-232	5995-01-688-2121	USB-C Host Cable with Power Delivery	143
808-102		USB On-The-Go Cable	144
808-096, -160, -271		Host Mode OTG Adapters	145
8071-3628	5935-01-682-9578	Host Mode OTG Adapter, USB Detect, Grounded ID Pin	146
TS1-034		USB-C Host Mode Adapter	147
TS1-009		USB-C Charge Adapter	148
808-259	5935-01-688-2146	Gender Changer Adapter (plug connectors)	149
808-260		Gender Changer Adapter (receptacle connectors)	150
808-080		STAR-PAN IV Radio Adapter	151
808-274		6-6 Plug-to-Plug cable	152
TS1-106		USB-C to Mighty Mouse-Interfaced Device Cable	153

BATTLE-TESTED

STAR-PAN™

Host/EUD cables, adapters, and accessories

808-101 Panasonic® Toughpad® FZ-M1 Adapter



Toughpad® FZ-M1 / FZ-B2 Adapter

SPECIFICATIONS

- For interconnection of End User Device to STAR-PAN power / data hubs
- Aluminum alloy construction, black zinc-nickel finish.
- Mighty Mouse 807 (NATO standard) connector
- Weight: 62g
- Export classification: 3A611.x

HOW TO ORDER

Part Number:

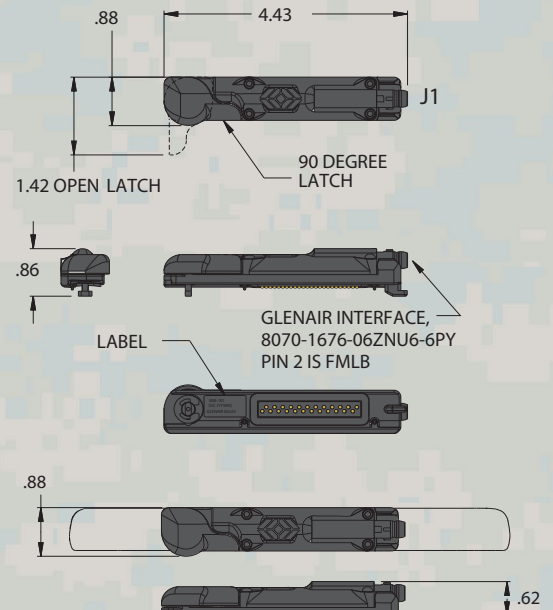
808-101

Adapter

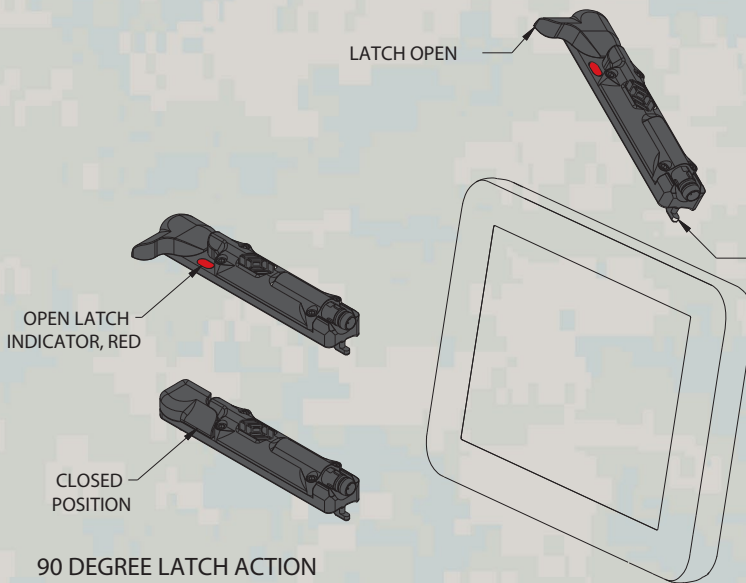
Panasonic Toughpad FZ-M1 Adapter



QUALIFIED FOR USE WITH ALL STAR-PAN POWER / DATA HUBS
LIGHT, II, IV, AND VI



CONNECTOR INSTALLATION



HOST/EUD CABLES, ADAPTERS, AND ACCESSORIES

BATTLE-TESTED

STAR-PAN™

Host/EUD cables, adapters, and accessories

808-103 Panasonic® Toughpad® FZ-M1 Adapter with Cable



HOST/EUD CABLES, ADAPTERS, AND ACCESSORIES



Toughpad® FZ-M1 / FZ-B2 Adapter with Cable

SPECIFICATIONS

- For interconnection of End User Device to STAR-PAN power / data hubs
- Aluminum alloy construction, black zinc-nickel finish.
- Mighty Mouse 807 (NATO standard) connector
- Weight: 62g
- Export classification: 3A611.x

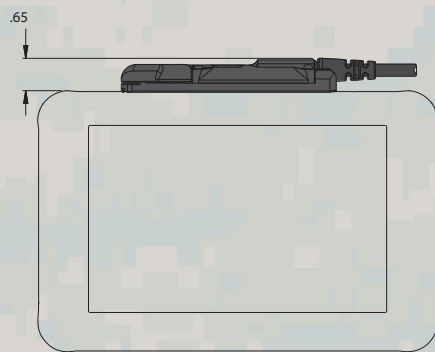
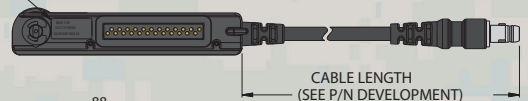
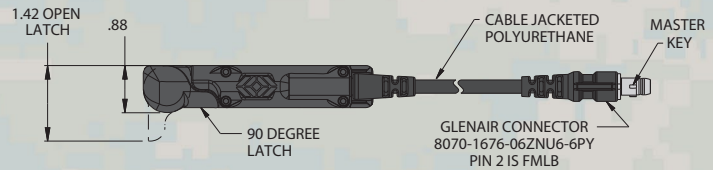
HOW TO ORDER

Sample Part Number:	808-103	-24
Adapter Series	Panasonic Toughpad FZ-M1 Adapter	
Length Designator	In inches. Max. 168.00 inches (14 ft.) Omit for default length of 12.00"	

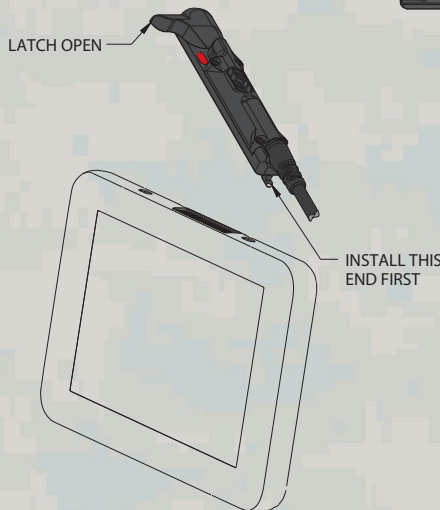


QUALIFIED FOR USE WITH ALL STAR-PAN POWER / DATA HUBS
LIGHT, II, IV, AND VI

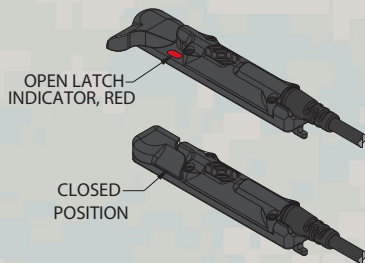
HUB PORT DESIGNATOR:
EUD



SHOWN INSTALLED ON TABLET
TABLET NOT INCLUDED
(CABLE END NOT SHOWN FOR CLARITY)



CONNECTOR INSTALLATION
(CABLE END NOT SHOWN FOR CLARITY)



90 DEGREE LATCH ACTION
(CABLE END NOT SHOWN FOR CLARITY)

BATTLE-TESTED

STAR-PAN™

Host/EUD cables, adapters, and accessories

TS3-003 Panasonic® FZ-M1 Voltage-Regulated Adapter Cable



**Toughpad® FZ-M1 / FZ-B2
Voltage-Regulated
Adapter with Cable**

SPECIFICATIONS

- For interconnection of End User Device to STAR-PAN power / data hubs
- Aluminum alloy housing, black zinc-nickel finish.
- Santoprene jacketed cable, black
- Ergonomic santoprene connector strain reliefs
- Mighty Mouse 807 (NATO standard) connector
- Weight: consult factory
- Export classification: 3A611.x

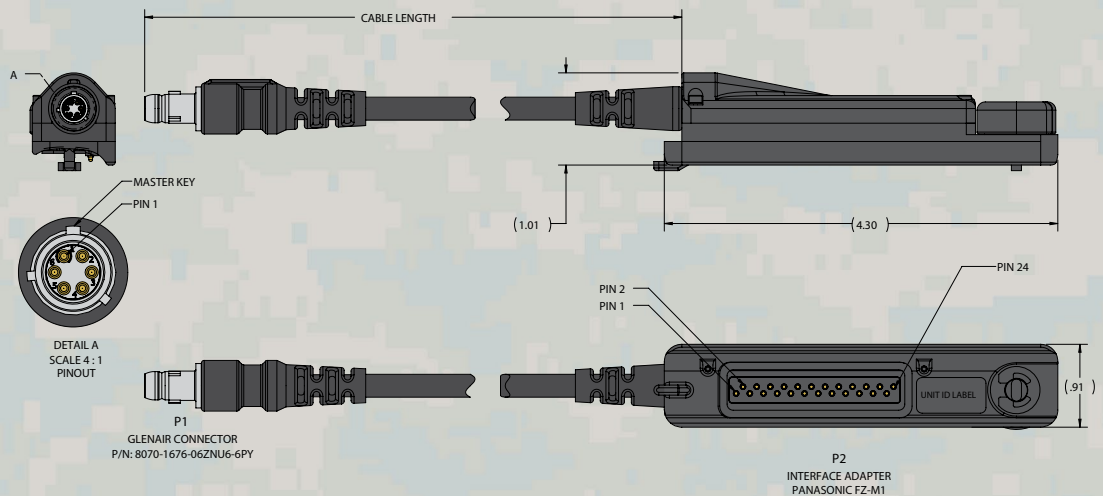
HOW TO ORDER

Part Number:	TS3-003	-36
Adapter	FZ-M1 Voltage-Regulated Adapter Cable	
Length	In inches. Maximum 48.00" Omit for default length of 24.00"	
5V Output Option	Omit = 5V output from tablet -1 = No 5V output	



QUALIFIED FOR USE WITH ALL STAR-PAN POWER / DATA HUBS
LIGHT, II, IV, AND VI

HUB PORT DESIGNATOR:
EUD



HOST/EUD CABLES, ADAPTERS, AND ACCESSORIES

BATTLE-TESTED

STAR-PAN™

Host/EUD cables, adapters, and accessories

808-281 Juggernaut QD USB-C Host Cable with Power Delivery



HOST/EUD CABLES, ADAPTERS, AND ACCESSORIES



Juggernaut QD
USB-C Charger Cable with
Power Delivery

SPECIFICATIONS

- For interconnection of USB-C equipped End User Devices to STAR-PAN power / data hubs
- Santoprene jacketed cable, black
- Places USB-C PD-capable devices into host mode and provides charge current of 2–3A (depending on device and power source negotiation).
- TPE overmolded, ergonomic connector strain reliefs, black.
- Mighty Mouse 807 (NATO standard) connector and Juggernaut USB-C connector
- Ferrite bead option for passive high-frequency noise filtering
- Weight, 24" cable: 72g
- Export classification: EAR99

HOW TO ORDER

Sample Part Number:	808-281	-F	-30
Cable Series	USB-C Charger Cable with Power Delivery		
Ferrite Bead Option	-F with ferrite bead, omit for no ferrite bead.		
Length Designator	In inches. Maximum 48.00" Omit for default length of 24.00"		

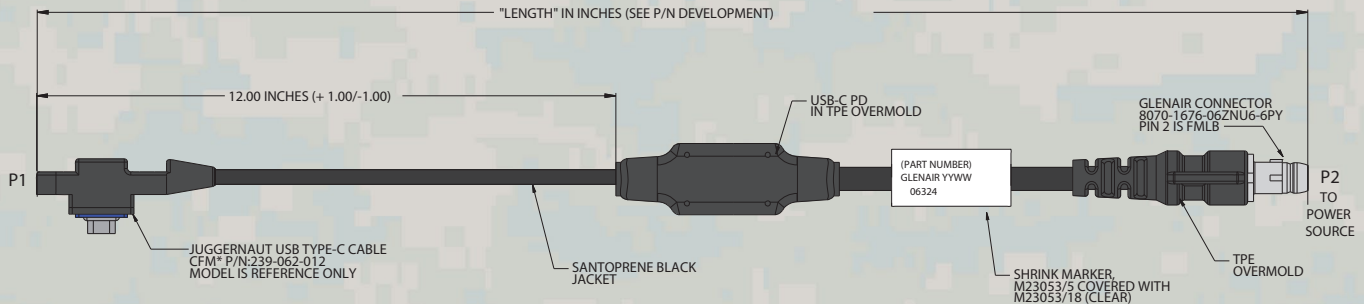


QUALIFIED FOR USE WITH ALL STAR-PAN POWER / DATA HUBS

LIGHT, II, IV, AND VI

HUB PORT DESIGNATOR:

EUD



BATTLE-TESTED

STAR-PAN™

Host/EUD cables, adapters, and accessories

TS1-020 Juggernaut USB-C to Mighty Mouse Plug cable



**Juggernaut QD
USB-C Adapter Cable**

SPECIFICATIONS

- For interconnection of USB-C equipped End User Devices to STAR-PAN power / data hubs
- Santoprene jacketed cable, black
- TPE overmolded, ergonomic connector strain reliefs, black.
- Mighty Mouse 807 (NATO standard) connector and Juggernaut USB-C connector
- Export classification: EAR99

HOW TO ORDER

Sample Part Number:	TS1-020	-24
Adapter Series	USB-C Adapter Cable	
Length Designator	In inches. Min. 6.00", Max. 35.00 inches Omit for default length of 19.00"	

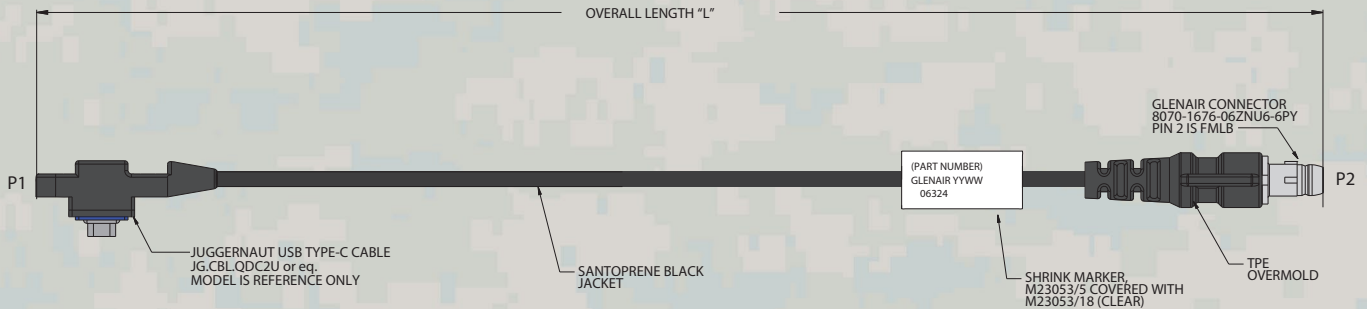


QUALIFIED FOR USE WITH ALL STAR-PAN POWER / DATA HUBS

LIGHT, II, IV, AND VI

HUB PORT DESIGNATOR:

EUD



HOST/EUD CABLES, ADAPTERS, AND ACCESSORIES

BATTLE-TESTED

STAR-PAN™

Host/EUD cables, adapters, and accessories

TS3-052 Juggernaut USB-C Charging Cable with Power Delivery



HOST/EUD CABLES, ADAPTERS, AND ACCESSORIES

SPECIFICATIONS

- For interconnection of USB-C equipped End User Devices to STAR-PAN power / data hubs
- Santoprene jacketed cable, black
- TPE overmolded, ergonomic connector strain reliefs, black.
- Mighty Mouse 807 (NATO standard) connector and Juggernaut USB-C connector
- Use only with Juggernaut S20 IMPCT Case JG.IMPCT.GLXY.S20

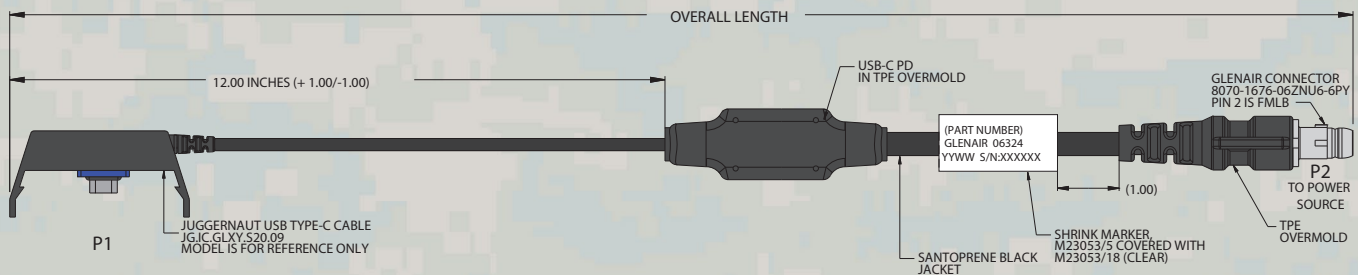
HOW TO ORDER

Sample Part Number:	TS3-052	-
Adapter Series	USB-C charging cable with Power Delivery	
Length Designator	In inches. Max. 48.00 inches Omit for default length of 24.00"	



QUALIFIED FOR USE WITH ALL STAR-PAN POWER / DATA HUBS
LIGHT, II, IV, AND VI

HUB PORT DESIGNATOR:
EUD



BATTLE-TESTED

STAR-PAN™

Host/EUD cables, adapters, and accessories

TS1-095 6P7 Receptacle-to-Receptacle cable



HOST/EUD CABLES, ADAPTERS, AND ACCESSORIES



Receptacle-to-Receptacle cable

SPECIFICATIONS

- For interconnection of End User Devices to STAR-PAN power / data hubs
- Polyurethane jacketed cable, black
- TPE overmolded, ergonomic connector strain reliefs, black.
- Mighty Mouse 807 (NATO standard) connectors

HOW TO ORDER

Sample Part Number:	TS1-095	-36
Adapter Series	6P7 Receptacle-to-Receptacle cable	
Length Designator	In inches. Omit for default length of 24.00"	

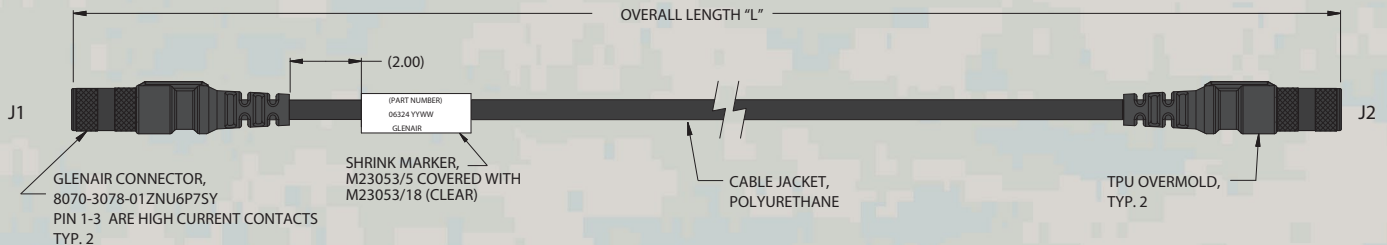


QUALIFIED FOR USE WITH ALL STAR-PAN POWER / DATA HUBS

LIGHT, II, IV, AND VI

HUB PORT DESIGNATOR:

EUD



BATTLE-TESTED

STAR-PAN™

Host/EUD cables, adapters, and accessories

TS1-096 6P7 Plug-to-Plug cable



HOST/EUD CABLES, ADAPTERS, AND ACCESSORIES



Plug-to-Plug cable

SPECIFICATIONS

- For interconnection of End User Devices to STAR-PAN power / data hubs
- Polyurethane jacketed cable, black
- TPE overmolded, ergonomic connector strain reliefs, black.
- Mighty Mouse 807 (NATO standard) connectors

HOW TO ORDER

Sample Part Number:	TS1-096	-36
Adapter Series	6P7 Plug-to-Plug cable	
Length Designator	In inches. Omit for default length of 24.00"	

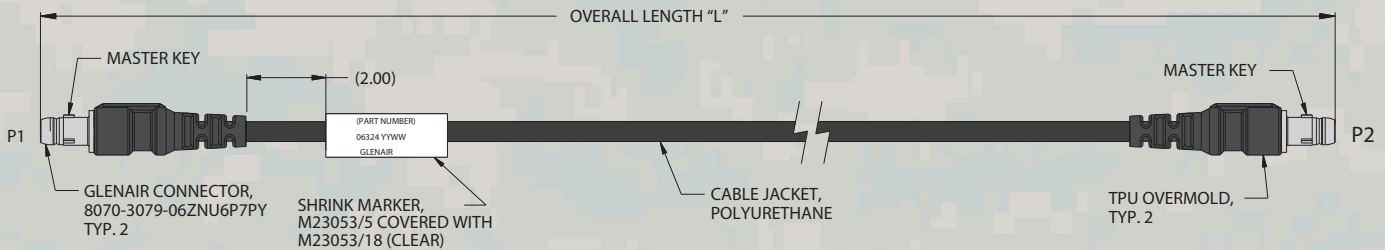


QUALIFIED FOR USE WITH ALL STAR-PAN POWER / DATA HUBS

LIGHT, II, IV, AND VI

HUB PORT DESIGNATOR:

EUD



BATTLE-TESTED

STAR-PAN™

Host/EUD cables, adapters, and accessories

TS1-081 Juggernaut S21 IMPCT USB-C to Mighty Mouse Plug cable



Juggernaut S21 IMPCT
USB-C Adapter Cable

SPECIFICATIONS

- For interconnection of USB-C equipped End User Devices to STAR-PAN power / data hubs
- Santoprene jacketed cable, black
- TPE overmolded, ergonomic connector strain reliefs, black.
- Mighty Mouse 807 (NATO standard) connector and Juggernaut USB-C connector

HOW TO ORDER

Sample Part Number:	TS1-081
Cable Series	USB-C Charger Cable
Length Designator	In inches. Min. 6", Max. 35.00" Omit for default length of 19.00"

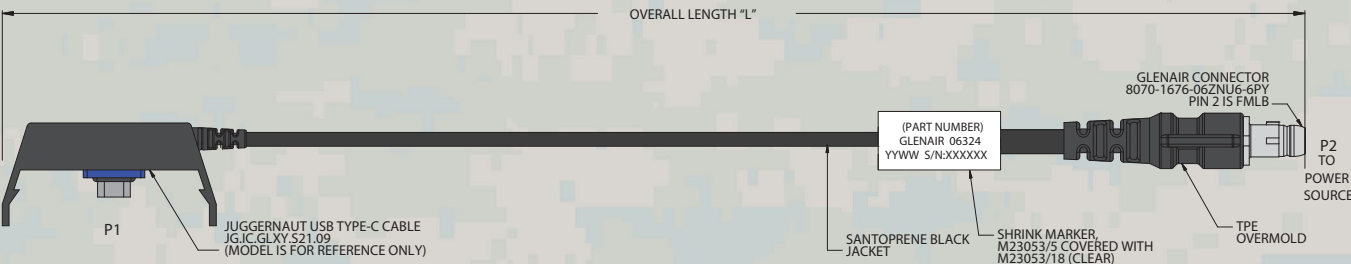


QUALIFIED FOR USE WITH ALL STAR-PAN POWER / DATA HUBS

LIGHT, II, IV, AND VI

HUB PORT DESIGNATOR:

EUD



HOST/EUD CABLES, ADAPTERS, AND ACCESSORIES

BATTLE-TESTED

STAR-PAN™

Host/EUD cables, adapters, and accessories

808-135 USB-C Cable



HOST/EUD CABLES, ADAPTERS, AND ACCESSORIES



USB-C Cable

SPECIFICATIONS

- For interconnection of USB-C equipped End User Devices to STAR-PAN power / data hubs
- Santoprene jacketed cable, black
- Santoprene overmolded, ergonomic connector strain reliefs, black.
- Mighty Mouse 807 (NATO standard) connector
- Weight, 19" cable: 34g
- Export classification: 3A611.x

HOW TO ORDER

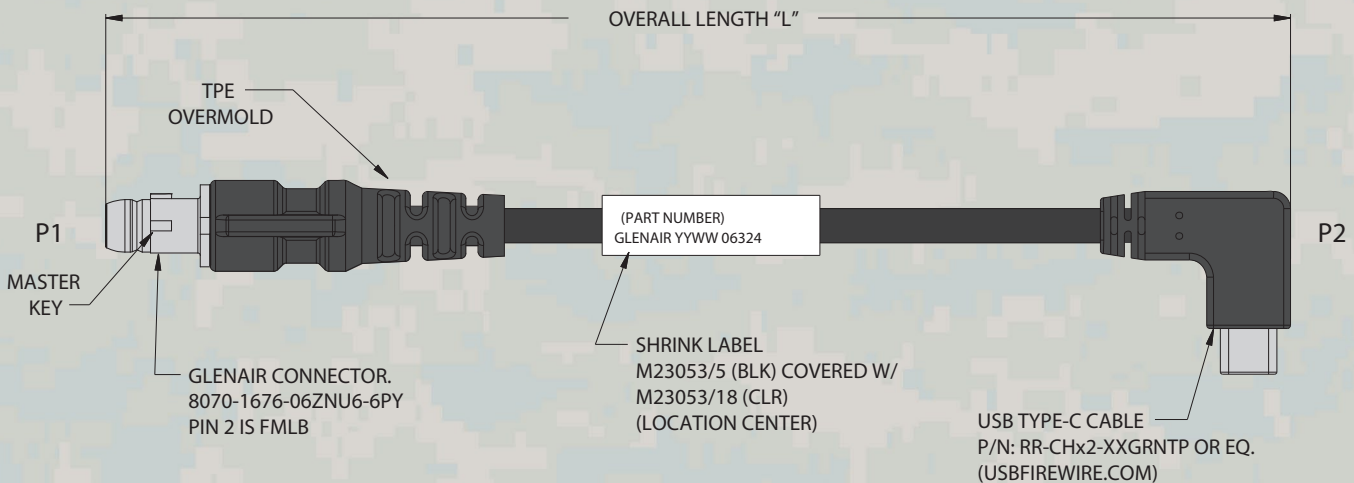
Sample Part Number:	808-135	-24
Adapter Series	USB-C Adapter Cable	
Length Designator	In inches. Max. 36.00 inches Omit for default length of 19.00"	



QUALIFIED FOR USE WITH ALL STAR-PAN POWER / DATA HUBS

LIGHT, II, IV, AND VI

HUB PORT DESIGNATOR:
EUD



BATTLE-TESTED

STAR-PAN™

Host/EUD cables, adapters, and accessories

808-232 USB-C Host Cable with Power Delivery



HOST/EUD CABLES, ADAPTERS, AND ACCESSORIES



SPECIFICATIONS

- For interconnection of USB-C equipped End User Devices to STAR-PAN power / data hubs
- Santoprene jacketed cable, black
- Santoprene overmolded, ergonomic connector strain reliefs, black.
- Mighty Mouse 807 (NATO standard) connector and USB-C connector
- Weight, 24" cable: 68g
- Export classification: EAR99

USB-C Host Cable with Power Delivery

HOW TO ORDER

Sample Part Number:	808-232	-36
Adapter Series	USB-C charging cable with Power Delivery	
Length Designator	In inches. Max. 48.00 inches Omit for default length of 24.00"	

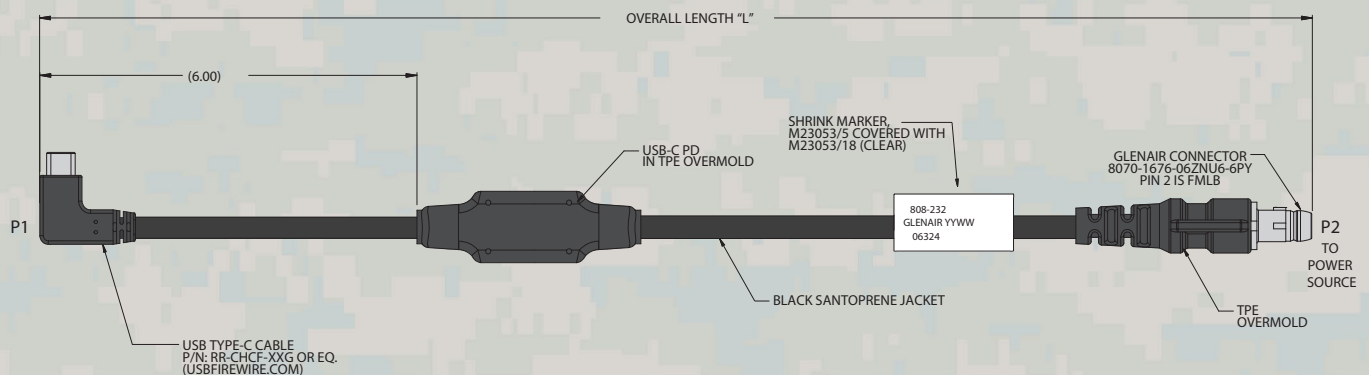


QUALIFIED FOR USE WITH ALL STAR-PAN POWER / DATA HUBS

LIGHT, II, IV, AND VI

HUB PORT DESIGNATOR:

EUD



BATTLE-TESTED

STAR-PAN™

Host/EUD cables, adapters, and accessories

808-102 USB On-The-Go Cable



HOST/EUD CABLES, ADAPTERS, AND ACCESSORIES



SPECIFICATIONS

- For interconnection of End User Device to STAR-PAN power / data hubs
- Polyurethane overmolded cable, black
- Polyurethane overmolded, ergonomic connector strain reliefs, black.
- Mighty Mouse 807 (NATO standard) connector
- Weight, 6" cable: 62g
- Export classification: 3A611.x

USB On-The-Go Cable

HOW TO ORDER

Part Number:	808-102
Connector	Host Mode Adapter Cable

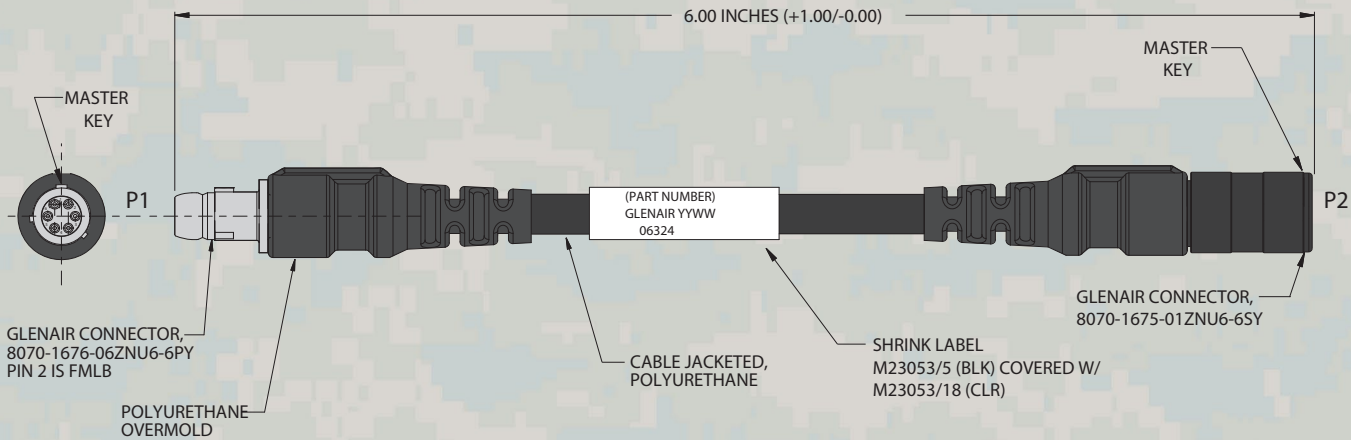


QUALIFIED FOR USE WITH ALL STAR-PAN POWER / DATA HUBS

LIGHT, II, IV, AND VI

HUB PORT DESIGNATOR:

EUD



BATTLE-TESTED

STAR-PAN™

Host/EUD cables, adapters, and accessories

808-096, -160, -271 Host Mode OTG Adapters



HOST/EUD CABLES, ADAPTERS, AND ACCESSORIES



On-The-Go Host Mode Adapter

SPECIFICATIONS

- For interconnection of End User Device to STAR-PAN power / data hubs
- Aluminum, black zinc-nickel finish
- Mighty Mouse 807 (NATO standard) connector
- Weight: 8g
- Export classification: 3A611.x

HOW TO ORDER

Part Number:	808-096
Connector Adapter	STAR-PAN Host Mode On-The-Go Adapter Connector, 64.9K resistance

HOW TO ORDER

Part Number:	808-160
Connector Adapter	Sav-Con® Connector Saver/Adapter for Mighty Mouse 807 connectors 49.9K resistance

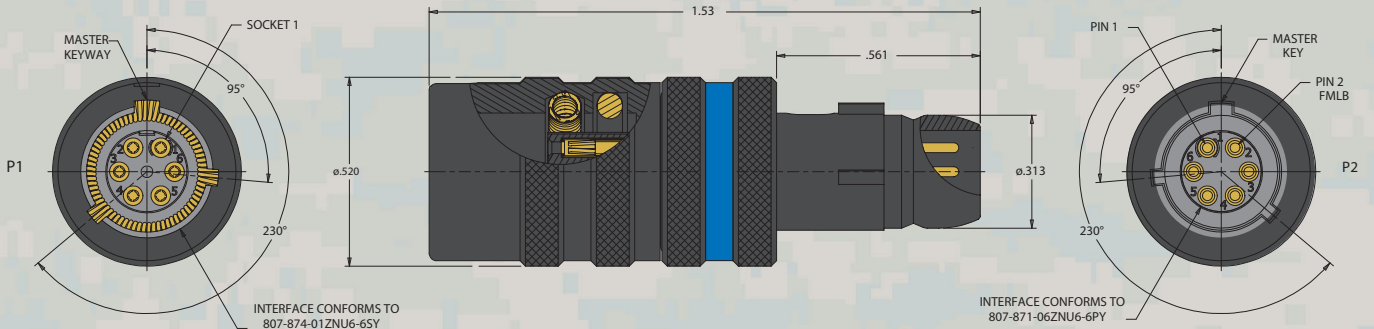
HOW TO ORDER

Part Number:	808-271
Connector Adapter	Sav-Con® Connector Saver/Adapter for Mighty Mouse 807 connectors, 82K resistance



QUALIFIED FOR USE WITH ALL STAR-PAN POWER / DATA HUBS LIGHT, II, IV, AND VI

HUB PORT DESIGNATOR: EUD



BATTLE-TESTED

STAR-PAN™

Host/EUD cables, adapters, and accessories

8071-3628 Host Mode OTG Adapter, USB Detect, Grounded ID Pin



HOST/EUD CABLES, ADAPTERS, AND ACCESSORIES



On-The-Go
Host Mode Adapter

SPECIFICATIONS

- For interconnection of End User Device to STAR-PAN power / data hubs
- Aluminum, black zinc-nickel finish
- Mighty Mouse 807 (NATO standard) connector
- Weight: 8g
- Export classification: 3A611.x

HOW TO ORDER

Part Number:

8071-3628

Connector Adapter

STAR-PAN Host Mode On-The-Go Adapter Connector,
USB Detect, Grounded ID Pin

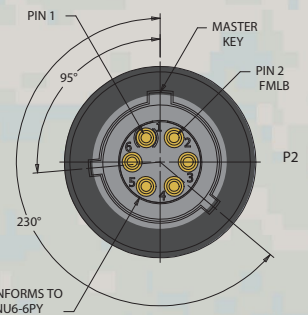
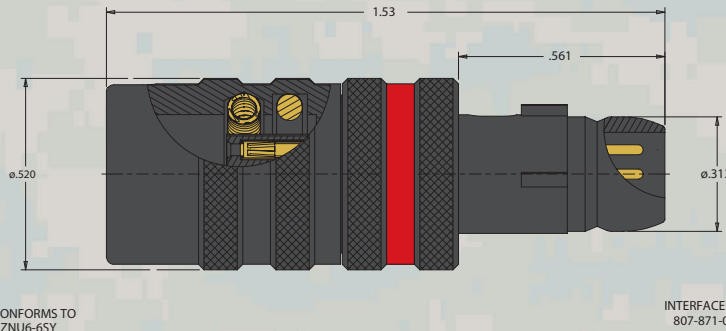
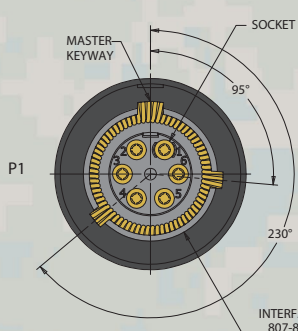


QUALIFIED FOR USE WITH ALL STAR-PAN POWER / DATA HUBS

LIGHT, II, IV, AND VI

HUB PORT DESIGNATOR:

EUD



BATTLE-TESTED

STAR-PAN™

Host/EUD cables, adapters, and accessories

TS1-034 USB-C Host Mode Adapter



**USB-C
Host Mode Adapter**

SPECIFICATIONS

- For interconnection of End User Device to STAR-PAN power / data hubs
- Aluminum, black zinc-nickel finish
- Mighty Mouse 807 (NATO standard) connector
- Weight: 8g
- Export classification: 3A611.x

HOW TO ORDER

Part Number:

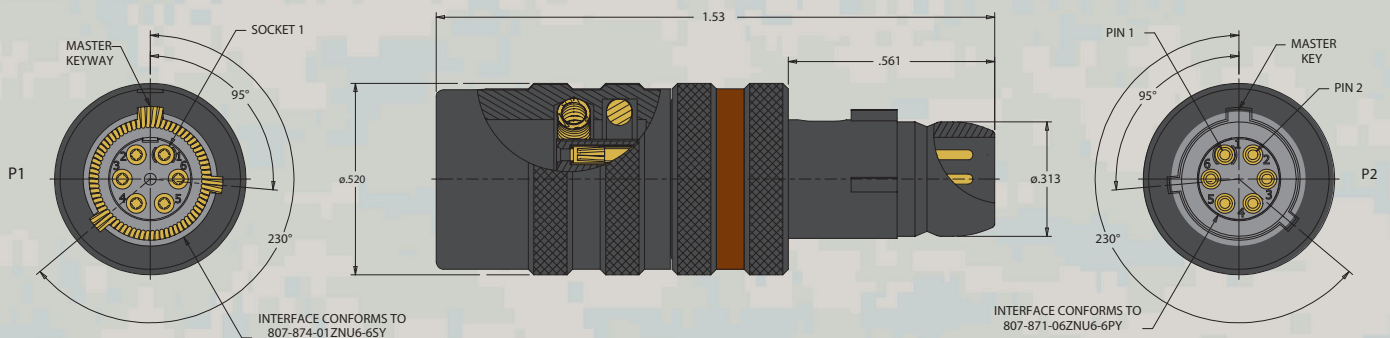
TS1-034

Connector Adapter

STAR-PAN USB-C Host Mode Adapter Connector,
5.1Kohm resistor for direct tether



QUALIFIED FOR USE WITH ALL STAR-PAN POWER / DATA HUBS
LIGHT, II, IV, AND VI



HOST/EUD CABLES, ADAPTERS, AND ACCESSORIES

BATTLE-TESTED

STAR-PAN™

Host/EUD cables, adapters, and accessories

TS1-009 USB-C Charge Adapter



HOST/EUD CABLES, ADAPTERS, AND ACCESSORIES



USB-C Charge Adapter

SPECIFICATIONS

- For interconnection of End User Device to STAR-PAN power / data hubs
- Aluminum, black zinc-nickel finish
- Mighty Mouse 807 (NATO standard) connector
- Weight: 8g

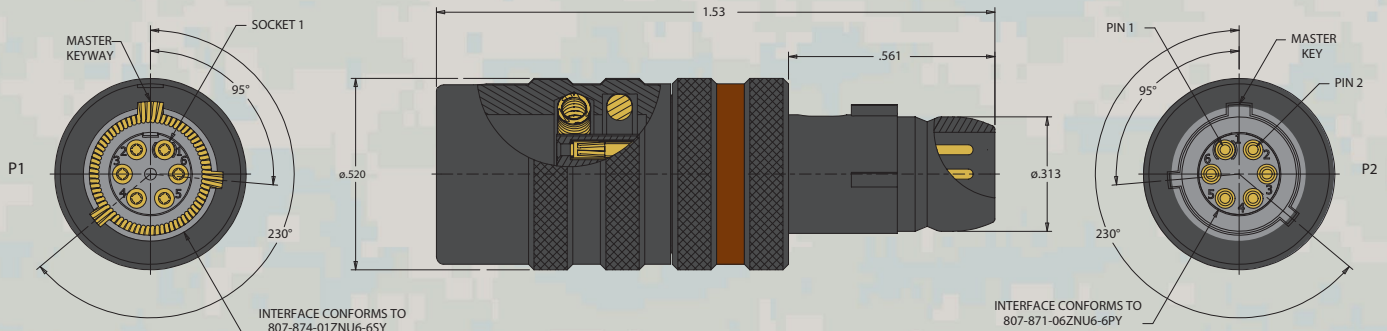
HOW TO ORDER

Sample Part Number:	TS1-009	-1
Adapter Series	USB C Charge Adapter	
Resistor Option	Omit = 22 kΩ (default)	
	-1 = 56kΩ	
	-2 = 10kΩ	



QUALIFIED FOR USE WITH ALL STAR-PAN POWER / DATA HUBS
LIGHT, II, IV, AND VI

HUB PORT DESIGNATOR:
EUD



BATTLE-TESTED

STAR-PAN™

Host/EUD cables, adapters, and accessories

808-259 Gender Changer Adapter (plug connectors)



HOST/EUD CABLES, ADAPTERS, AND ACCESSORIES



Gender Changer Adapter

SPECIFICATIONS

- For gender-change conversion of STAR-PAN power / data hub ports
- Aluminum, black zinc-nickel finish
- Mighty Mouse 807 (NATO standard) plug connectors
- Weight: 11g
- Export classification: EAR99

HOW TO ORDER

Sample Part Number:	808-259-6	-6
Adapter Series	Gender Changer Adapter	
No. of Wired Contacts	-4 = Four Wired Contacts (default) -6 = Six Wired Contacts	

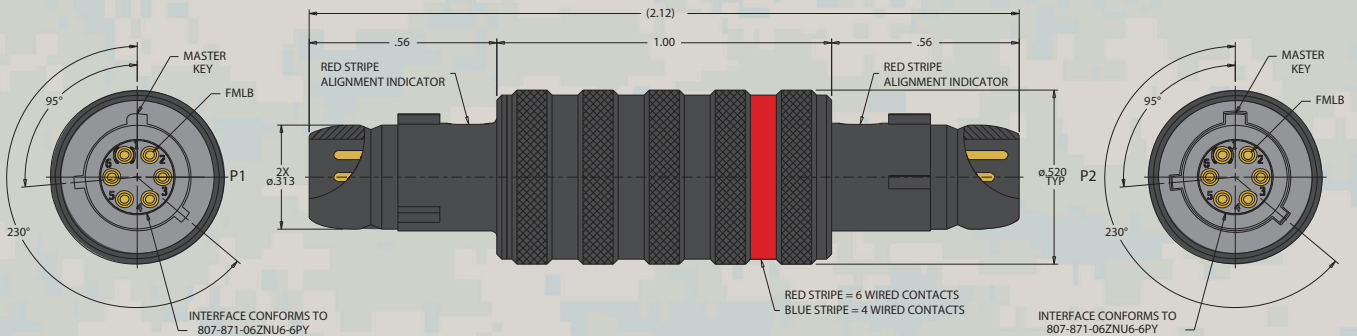


QUALIFIED FOR USE WITH ALL STAR-PAN POWER / DATA HUBS

LIGHT, II, IV, AND VI

HUB PORT DESIGNATOR:

EUD



BATTLE-TESTED

STAR-PAN™

Host/EUD cables, adapters, and accessories

808-260 Gender Changer Adapter (receptacle connectors)



HOST/EUD CABLES, ADAPTERS, AND ACCESSORIES



SPECIFICATIONS

- For gender-change conversion of STAR-PAN power / data hub ports
- Aluminum, black zinc-nickel finish
- Mighty Mouse 807 (NATO standard) receptacle connectors
- Weight: consult factory
- Export classification: EAR99

Gender Changer Adapter

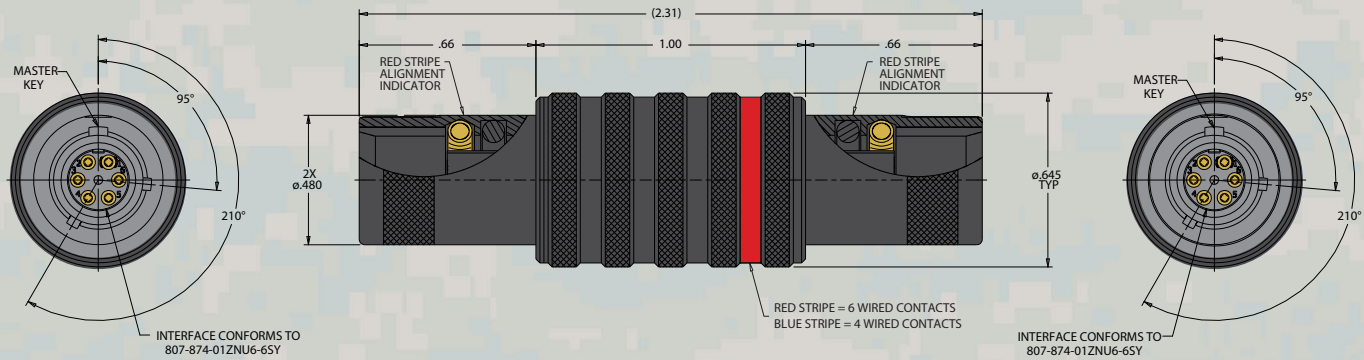
HOW TO ORDER

Sample Part Number:	808-260-6	-6
Adapter Series	Gender Changer Adapter	
No. of Wired Contacts	-4 = Four Wired Contacts (default) -6 = Six Wired Contacts	



QUALIFIED FOR USE WITH ALL STAR-PAN POWER / DATA HUBS
LIGHT, II, IV, AND VI

HUB PORT DESIGNATOR:
EUD



BATTLE-TESTED

STAR-PAN™

Host/EUD cables, adapters, and accessories

808-080 STAR-PAN IV Radio Adapter Cable



SPECIFICATIONS

- Polyurethane overmolded cable, black
- Polyurethane overmolded, ergonomic connector strain reliefs, black.
- Mighty Mouse 807 (NATO standard) connector
- Weight: consult factory
- Export classification: 3A611.x

**STAR-PAN IV
Radio Adapter Cable**

HOW TO ORDER

Sample Part Number:	808-080	-6
Cable Series	STAR-PAN IV Radio Adapter	
Length	In inches. Omit for default length of 8.00"	

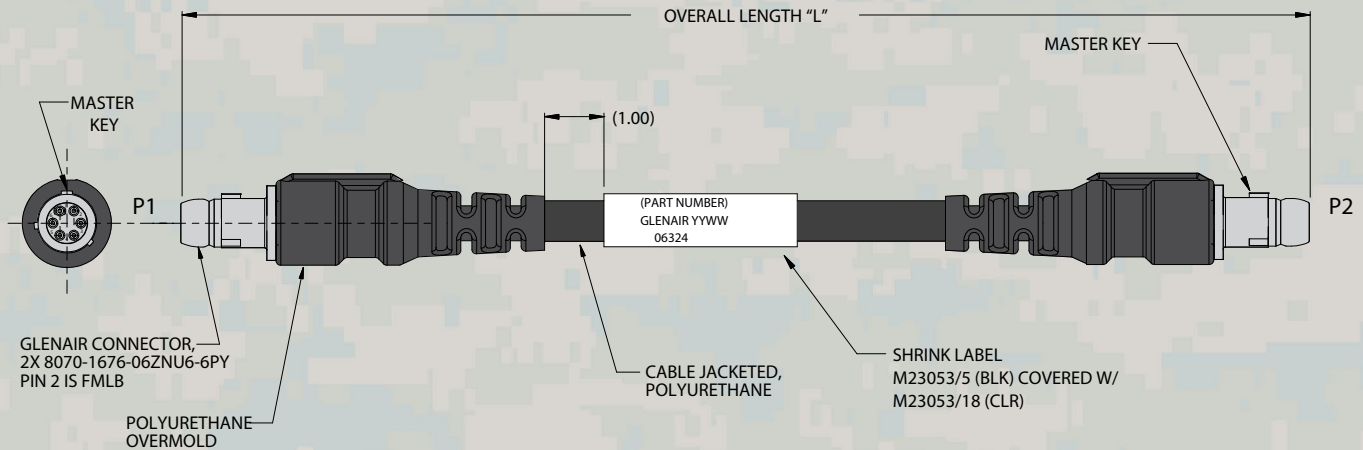


QUALIFIED FOR USE WITH ALL STAR-PAN POWER / DATA HUBS

LIGHT, II, IV, AND VI

HUB PORT DESIGNATOR:

EUD



HOST/EUD CABLES, ADAPTERS, AND ACCESSORIES

BATTLE-TESTED

STAR-PAN™

Host/EUD cables, adapters, and accessories

808-274 6-6 Plug-to-Plug cable



HOST/EUD CABLES, ADAPTERS, AND ACCESSORIES



Plug-to-Plug cable

SPECIFICATIONS

- Polyurethane overmolded cable, black
- Polyurethane overmolded, ergonomic connector strain reliefs, black.
- Mighty Mouse 807 (NATO standard) connectors
- Weight: consult factory
- Export classification: 3A611.x

HOW TO ORDER

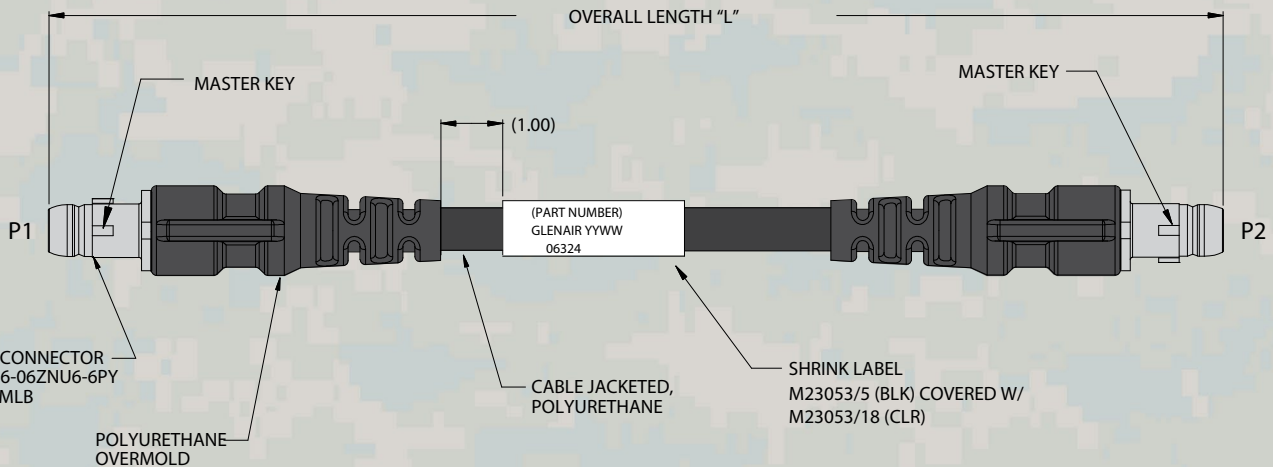
Sample Part Number:	808-274	-10
Cable Series	STAR-PAN IV Radio Adapter	
Length	In inches. Omit for default length of 8.00"	



QUALIFIED FOR USE WITH ALL STAR-PAN POWER / DATA HUBS

LIGHT, II, IV, AND VI

HUB PORT DESIGNATOR:
EUD



BATTLE-TESTED

STAR-PAN™

Host/EUD cables, adapters, and accessories

TS1-106 USB-C to Mighty Mouse-Interfaced Device Cable



HOST/EUD CABLES, ADAPTERS, AND ACCESSORIES

SPECIFICATIONS

- TPE overmolded cable, black
- TPE overmolded, ergonomic connector strain reliefs, black.
- Mighty Mouse 807 (NATO standard) connector and USB-C connector
- Weight: consult factory
- Export classification: EAR99

HOW TO ORDER

Sample Part Number:	TS1-106	-12
Cable Series	STAR-PAN IV Radio Adapter	
Length	In inches, from 6.00 to 35.00. Omit for default length of 8.00"	



QUALIFIED FOR USE WITH ALL STAR-PAN POWER / DATA HUBS

LIGHT, II, IV, AND VI

HUB PORT DESIGNATOR:

EUD

