



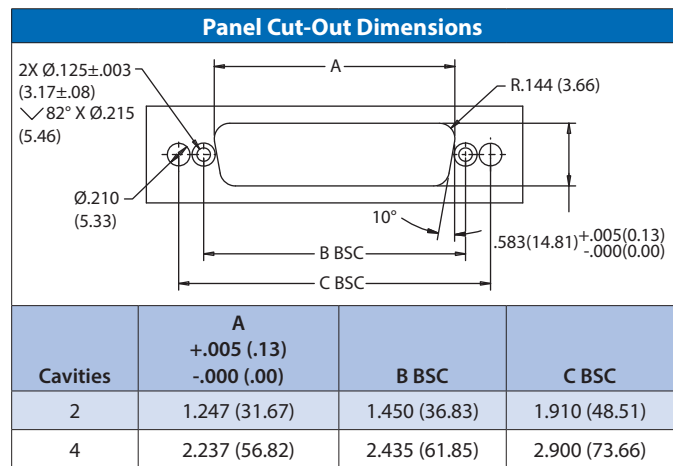
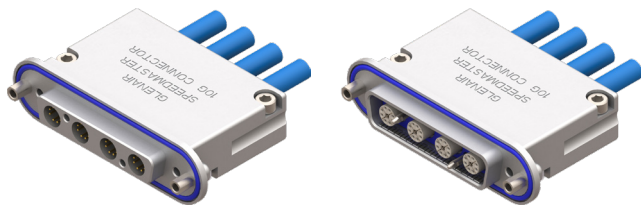
SERIES 28

HiPer-D M24308 connectors with SpeedMaster™ 10G high-speed contacts



HiPer-D Rear Panel Mount Connectors - How to Order

Part Number Development						
Sample Part Number	280-103M	4	P	MT	N	-1
Series	280-102M = rear panel mount plug 280-099F = rear panel mount receptacle					
Cavity Count	2 = 2 Cavities 4 = 4 Cavities					
Module Type	P = Pin S = Socket A = Less contacts; see note 1					
Material and Finish	NF = Aluminum alloy / Cadmium olive drab over electroless nickel MT = Aluminum alloy / nickel-PTFE ME = Aluminum alloy / electroless nickel ZR = Aluminum alloy / zinc nickel black RoHs compliant					
Hardware Options	P = Female jackpost					
Cable Size	See cable size table; omit for preterminated contact modules					



Mating Hardware
P Female Jackpost

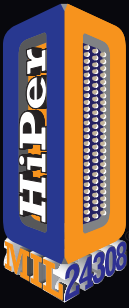
Cable Size	
Cable Size	Cable Diameter
1	.280 (7.11)
2	.274 (6.96)
3	.260 (6.60)
4	.250 (6.35)
5	.240 (6.10)
6	.230 (5.84)
7	.220 (5.59)

Cables*					
Cable P/N	Cable Category	Cable Construction	Wire Gage	Cable Dia.	Assembly Instructions
963-003-24	Cat 6A	SF/UTP	24	.280 (7.11)	AI85082
963-003-26	Cat 6A	SF/UTP	26	.220 (5.59)	
963-037	Cat 6A	SF/UTP	24	.260 (6.60)	

*Contact factory to inquire about use with other cables

NOTES

1. Spare high-speed modules (858-100, 858-101) may be ordered separately. Module wrench tool (607-011) supplied with each connector. Select the "less contacts (A)" option when ordering pre-terminated cable to SpeedMaster contacts listed on page 6 and 7. Omit cable size from part number development when selecting the "less contact" option from the module type of the part number development.
2. See Assembly instructions AI 85082 for high-speed module terminations. See assembly instructions AI85089 for module installation.
3. See page 8 for SpeedMaster module inner contact pinout
4. For cables in-between sizes, select smaller size. Maximum cable diameter is .280 (7.11)
5. Material / Finish:
 - Shells: part number development table
 - Hardware: stainless steel - passivated
 - Grounding spring: BeCu alloy / electroless nickel
 - Seals, o-ring: fluorosilicone blend / N.A.



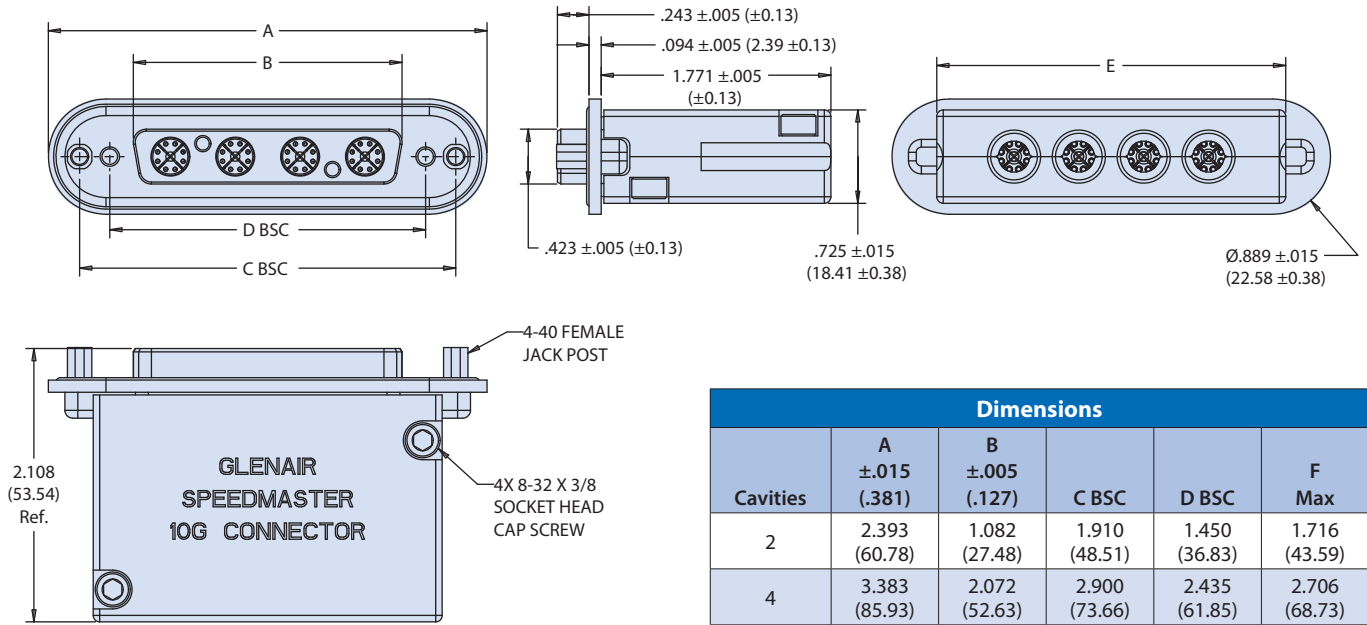
SERIES 28

HiPer-D M24308 connectors with SpeedMaster™ 10G high-speed contacts



HiPer-D Rear Panel Mount Connectors - Dimensions

280-102 HIPER-D REAR PANEL MOUNT CONNECTOR, PLUG



280-099 HIPER-D REAR PANEL MOUNT CONNECTOR, RECEPTACLE

