

# SPEEDMASTER Installation Instructions



## AI85089 SpeedMaster™ Installation Instructions for HiPer-D

### INSTALLATION

- A. Slide completed module into the insert cavity, making sure to align the module polarization keys with the cavity keyway. (Figure 1)
- B. Using the retention ferrule tool (Glenair P/N 607-011), and a 3/8" wrench, tighten the outer shield ferrule to a torque of 8-10 in-lb. (Figure 2)
- C. Install remaining modules in the same manner (figure 3)
- D. Being sure to line up the alignment rib/ribway on each half of the clamshell, fasten the 2 halves together using the four 8-32 x 3/8 socket head cap screws. (Figure 4)

#### Notes:

Figures 1-4 show installation into a 4 cavity female rear panel mount HiPer-D. Installation is the same for other HiPer-D shell types and arrangements.

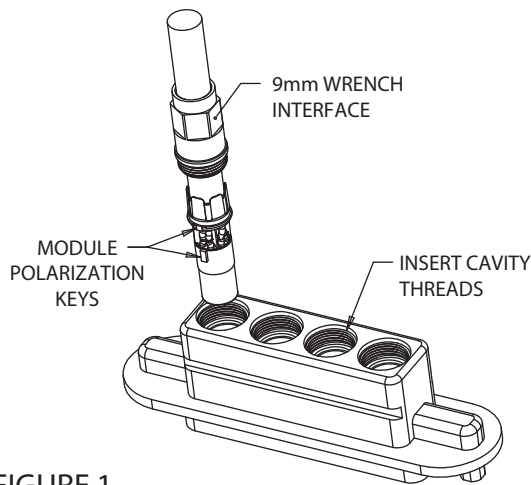


FIGURE 1

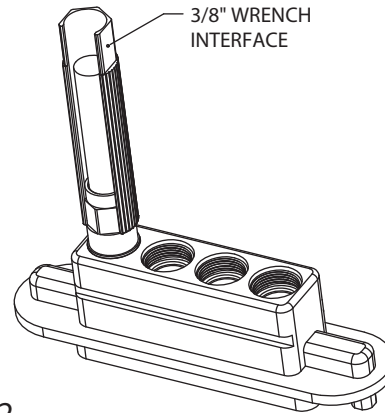


FIGURE 2

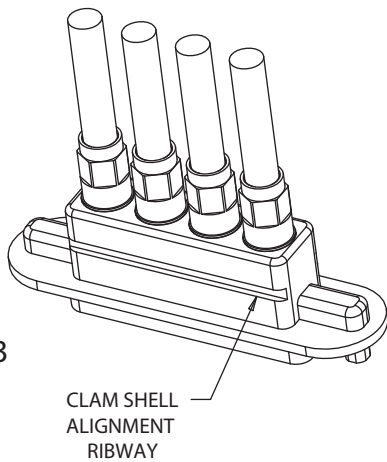


FIGURE 3

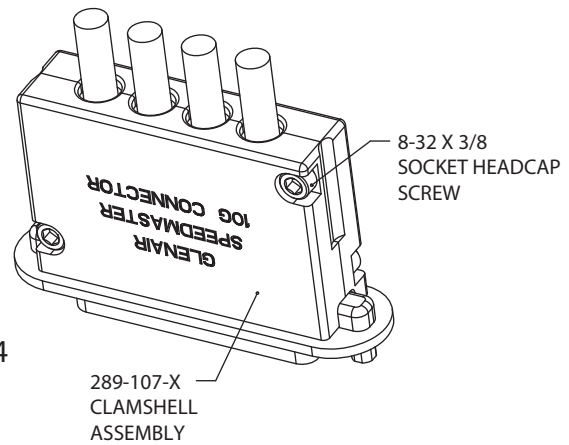


FIGURE 4