

064-006

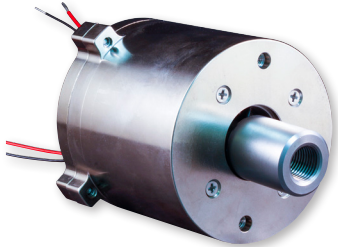
# Heavy-duty hold-down release mechanisms

20,000 lb. release preload  
Redundant circuit

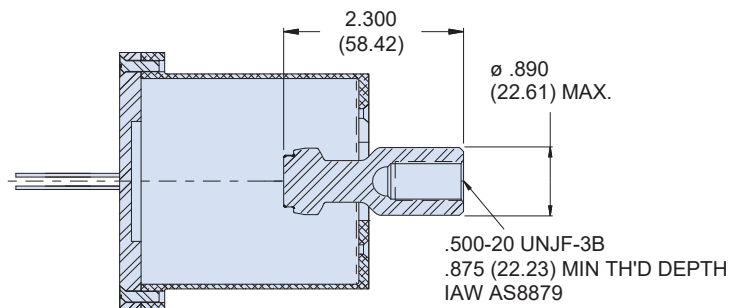
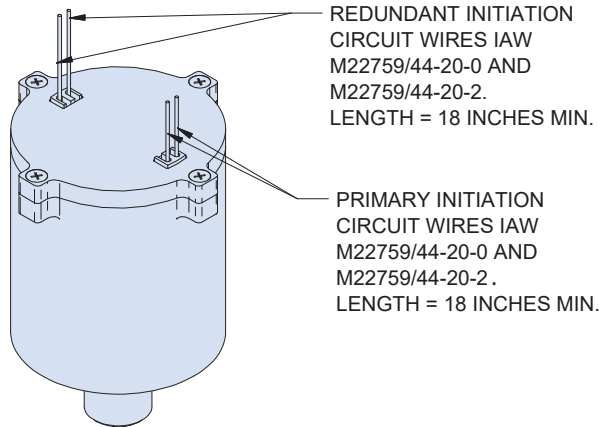
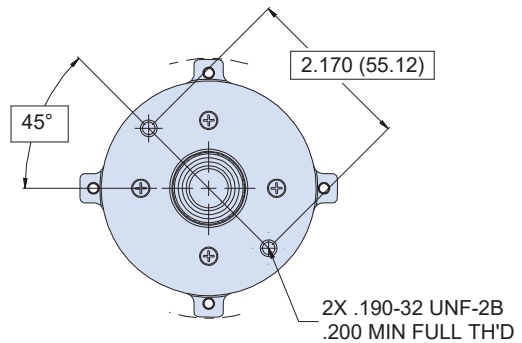
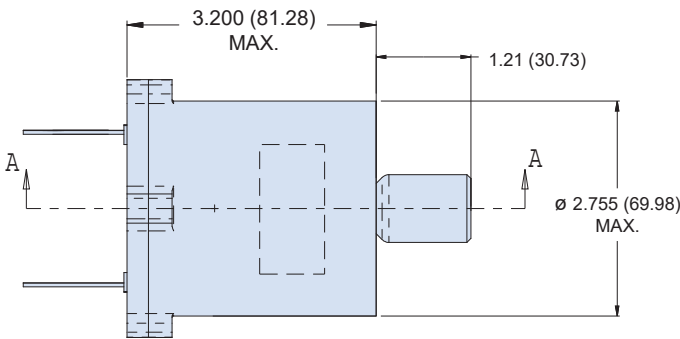


A

## ELECTRICALLY REDUNDANT HOLD DOWN RELEASE MECHANISM, HEAVY-DUTY



How To Order		
Sample Part No.	064	-006
Basic Part No.	Heavy-Duty HDRM	
Dash No.	Redundant Circuit	



### NOTES

- Unit is identified with Glenair name, CAGE code, part number, and date code, space permitting. Primary initiation circuit identified with "P" and redundant with "R".
- Release preload 20,000 lbs. (88.96 kN). Proof load 25,000 lbs. (111.21 kN)
- Full qualification pending
- Reference Glenair P/N 060-406 for refurbishment initiator
- Consult factory for additional options and configurations.

Full qualification pending. Design and dimensions are subject to change.



Available 069-406 mechanical release for use in place of refurbishment initiator. Consult factory for application notes.