

061-017

Medium-duty hold-down release mechanism

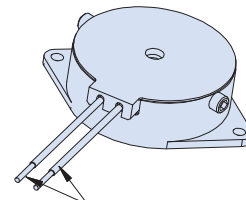


Low profile 300 lb. release preload
Non-redundant circuit

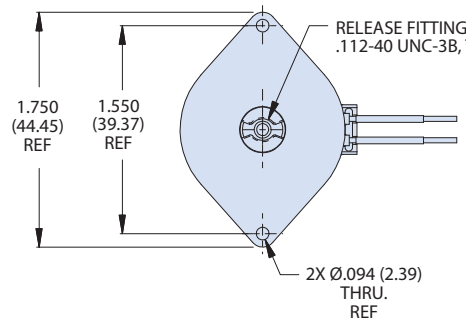
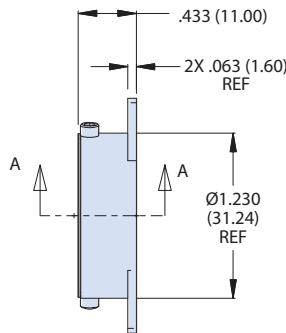
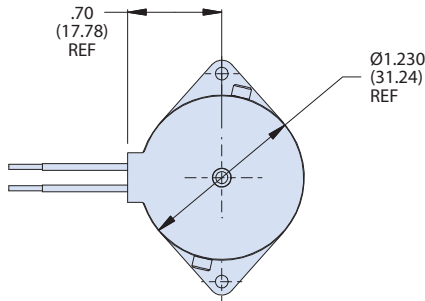
A



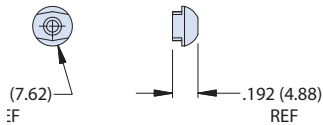
How To Order		
Sample Part No.	061	-017
Basic Part No.	Medium Duty HDRM	
Dash No.	Non-Redundant Circuit	



INITIATION CIRCUIT,
WIRES IAW
M22759/44-20-0 AND
M22759/44-20-2.
LENGTH 18 INCHES MIN.
MEASURED FROM THE
OD 1.230



RELEASE FITTING DIMENSIONS



NOTES

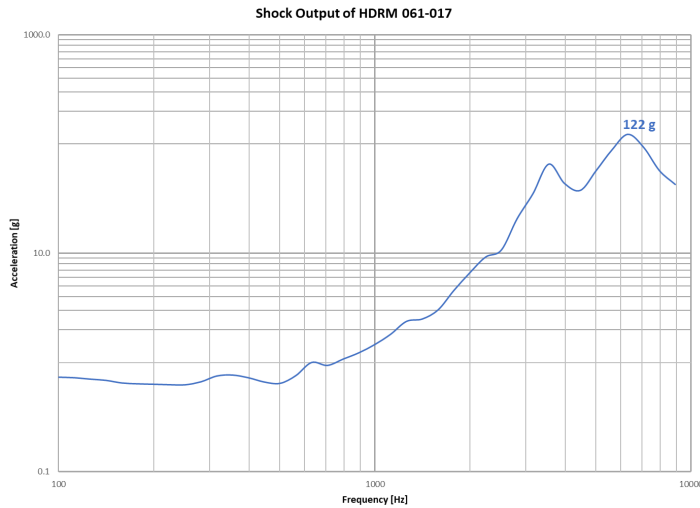
- Unit is identified with Glenair name, CAGE code, part number, and date code, space permitting.
- Release preload 300 lbs. (1.33 kN)
- Reference Glenair P/N 060-117 for refurbishment initiator
- Qualification report available upon request

Physical characteristics	
Mass	33.1 grams approximate weight
Release component thread	.112-40 UNC-3B*
Material list	IAW MSFC-STD-3029
Epoxy	Outgassing requirements per GSC19384
Device features	
Field refurbishable	Initiator can be replaced in less than 15 minutes by trained personnel
Reliability prediction	0.999999983
Packaging	External housing typically supplied with two mounting points. Custom housings and mountings available
Connectorization	Standard design supplied with wire inputs. Connectorized versions available
Scalable bolt size	Bolt size determines preload and can be scaled to accommodate a wide range of requirements
*Size callout based on the release fitting size to be used. Consult factory for qualification test report.	

061-017

Medium-duty hold-down release mechanism

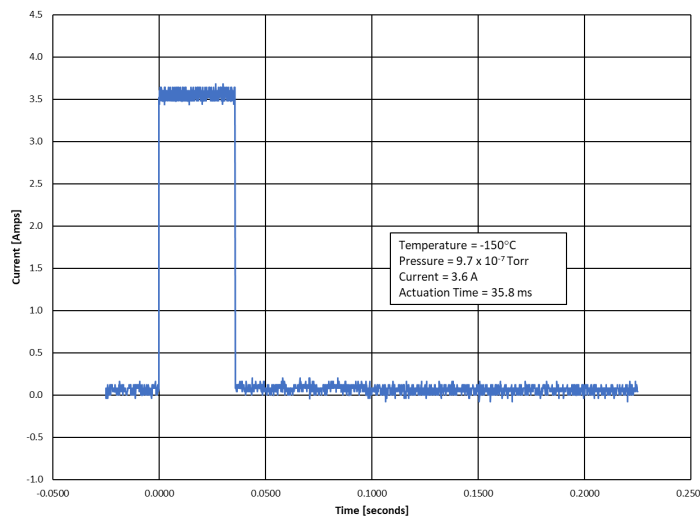
Low profile 300 lb. release preload Summary of qualification test data



Tested Capability for 061-005 (LoLa III)	
Nominal Release Preload	300 pounds
Maximum Rated Release Preload	375 pounds
Ultimate Load	420 pounds
Electrical Resistance	1.5 ohms max
Sine Vibration 3 orthogonal axes	25 G's
Random Vibration 3 orthogonal axes	50.9 G _{rms}
Actuation Time	Under 60 ms @3.5 Amps
Shock Input	2,528 G's
Source Shock	Under 150 G's @300 pounds
Life Test	10 refurbishments during qualification and an expected continued usage
Temperature	-150°C to +150°C released in a vacuum (1x10 ⁻⁶ Torr)



061-017 Thermal Vacuum Actuation Cold (-150°C) S/N 001
07/08/2021



Actuation Curve for 061-017 Mechanism (ambient conditions)

