

061-010

# Light-duty pin pushers and pullers

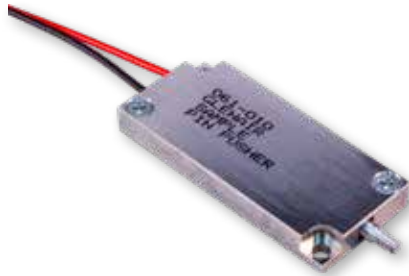
6 lb. push force

Non-redundant circuit

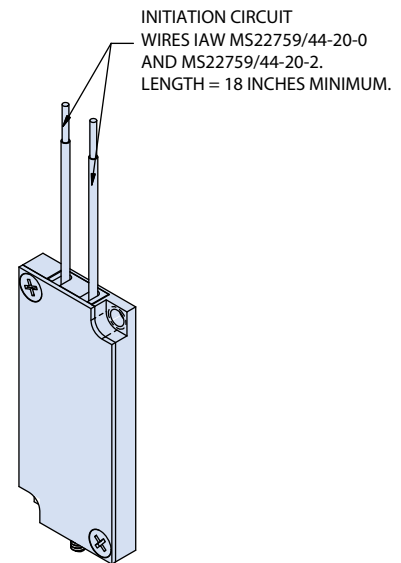
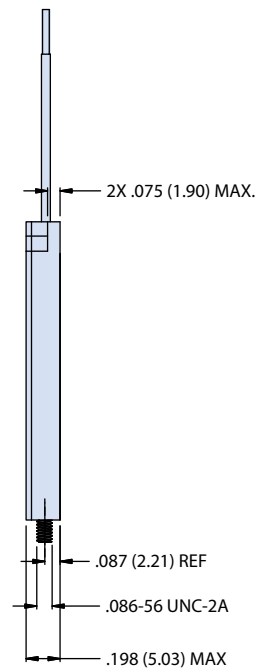
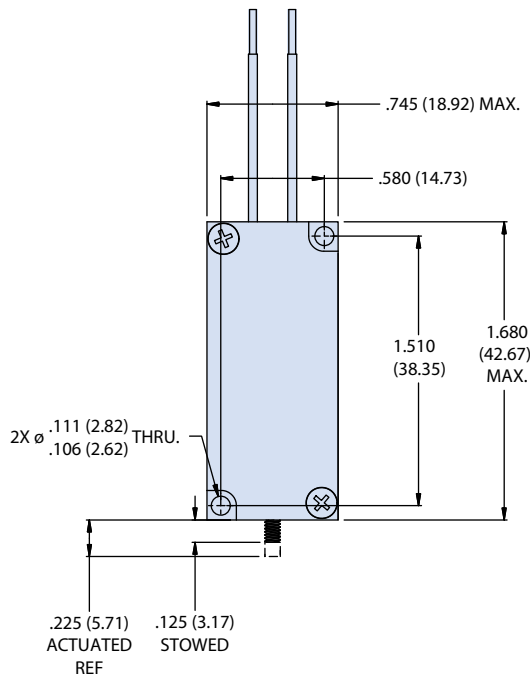


A

## NON-REDUNDANT CIRCUIT PIN PUSHER MECHANISM, LIGHT-DUTY



How To Order		
Sample Part No.	061	-010
Basic Part No.	Light-Duty Pin Pusher	
Dash No.	Non-Redundant Circuit	



### NOTES

- Unit is identified with Glenair name, CAGE code, part number, and date code, space permitting.
- Push load: 6 lbs. (26.7 N)
- Full qualification pending
- Reference Glenair P/N 060-110 for refurbishment initiator
- Metric threads available, consult factory for options

Physical characteristics	
Mass	15.2 grams approximate weight
Material list	IAW MSFC-STD-3029
Device features	
Field refurbishable	Initiator can be replaced in less than 15 minutes by trained personnel
Packaging	External housing typically supplied with two mounting points. Custom housings and mountings available
*Size callout based on the bolt size to be used. Metric thread also available. Consult factory for qualification test report.	