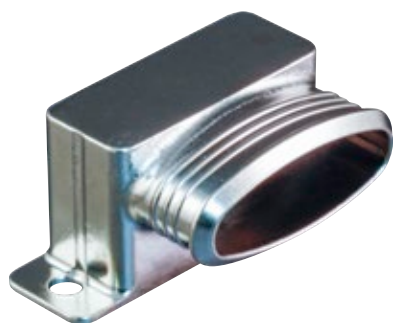


SPACE-GRADE MICRO-D BACKSHELLS

Lightweight EMI/RFI Elliptical Backshell



Solid shell, elliptical, top and side cable entry - 507-296



EMI/RFI Elliptical Lightweight Metal Shell Backshells provides added room for larger wire bundles. Terminate cable shields with Band-Master ATS® Micro Bands.

Rugged Aluminum housing with stainless steel hardware, available in standard nickel plating, or choose optional finishes.

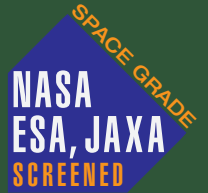
How To Order EMI/RFI Metal Shell Backshells								
Sample Part Number			507T296	M	25	D	H	L
Series	507T296 - Top Entry (Straight) 507S296 - Side Entry (90°)							
Finish Symbol	M - Electroless Nickel Z2 - Gold							
Shell Size	09, 15, 21, 25, 31, 37, 51, 51-2, 67, 69, 75, 100 (See Table I)							
Entry Code	Code	G	Available Sizes					
	A	0.320	09 Thru 100					
	B	0.470	15 Thru 100					
	C	0.620	21 Thru 100					
	D	0.720	25 Thru 100					
	E	0.870	31 Thru 100					
	F	0.970	37 Thru 100					
	G	1.020	37 & 51-2 Thru 100					
	H	1.270	51-2 Thru 100					
	J	1.360	51-2, 67 & 100					
K	1.770	67						
Hardware Option	B - Fillister Head Jackscrew H - Socket Head Jackscrew E - Extended Jackscrew F - Female Jackpost							
EMI Band Strap Option	Omit (Blank) - No Band		M - Uncoiled .125" Wide Band	L - Coiled .125" Wide Band				

NOTES

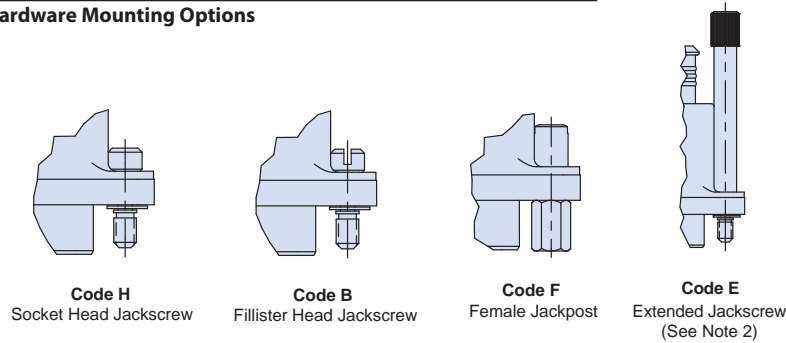
1. See 507-297 for 45° configuration
2. Symbol 'E' extended hardware is not to be used with straight backshell at max cable entry size.

MATERIAL/FINISH

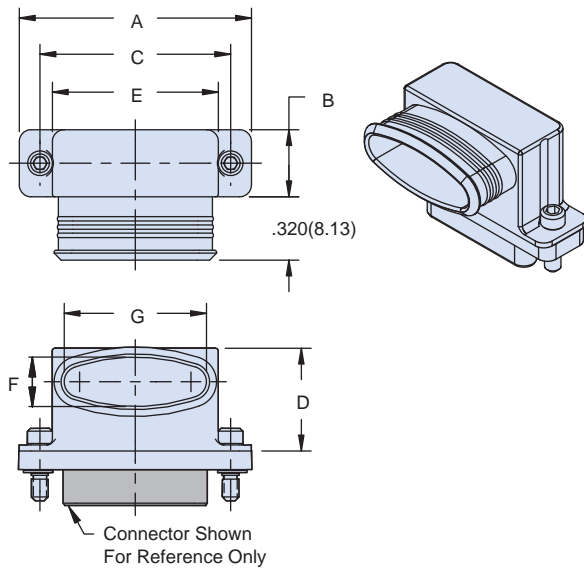
- Backshell - al alloy/see Table 2
- Hardware-cres/pasivated



Hardware Mounting Options



Style S Side Entry (90°)



Style T Top Entry (Straight)

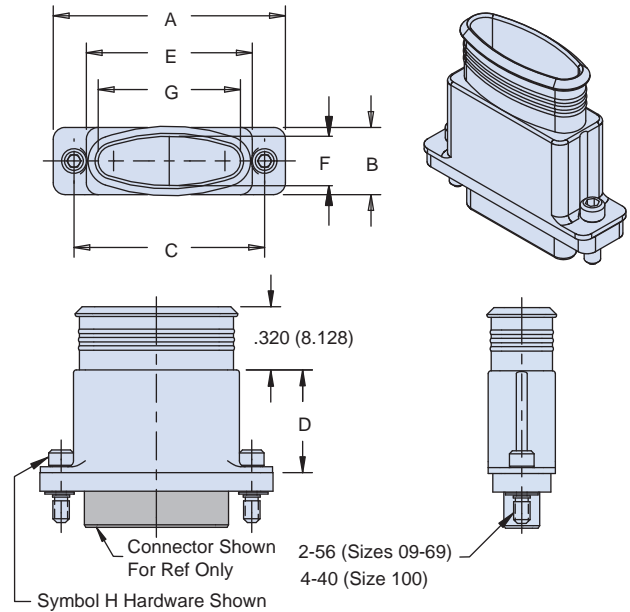


Table I: Dimensions

Size	A		B		C		D		E		F		Max Entry
	in	mm	in	mm	in	mm	in	mm	in	mm	in	mm	
09	0.775	19.69	0.340	8.64	0.565	14.35	0.520	13.21	0.440	11.18	0.250	6.35	A
15	0.925	23.50	0.340	8.64	0.715	18.16	0.520	13.21	0.590	14.99	0.250	6.35	B
21	1.075	27.31	0.340	8.64	0.865	21.97	0.520	13.21	0.740	18.80	0.250	6.35	C
25	1.175	29.85	0.340	8.64	0.965	24.51	0.520	13.21	0.840	21.34	0.250	6.35	D
31	1.325	33.66	0.340	8.64	1.115	28.32	0.520	13.21	0.990	25.15	0.250	6.35	E
37	1.475	37.47	0.340	8.64	1.265	32.13	0.520	13.21	1.140	28.96	0.250	6.35	G
51	1.425	36.20	0.380	9.65	1.215	30.86	0.610	15.49	1.090	27.69	0.290	7.37	F
51-2	1.825	46.36	0.340	8.64	1.615	41.02	0.520	13.21	1.490	37.85	0.250	6.35	J
67	2.225	56.52	0.340	8.64	2.015	51.18	0.520	13.21	1.890	48.01	0.250	6.35	K
69	1.725	43.82	0.380	9.65	1.515	38.48	0.610	15.49	1.390	35.31	0.290	7.37	H
75	2.070	52.58	0.380	9.65	1.705	43.30	0.520	13.20	1.490	37.85	0.290	7.37	J
100	2.160	54.86	0.430	10.92	1.800	45.72	0.630	16.00	1.522	38.66	0.340	8.64	J