

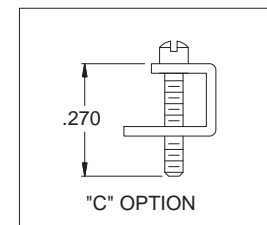
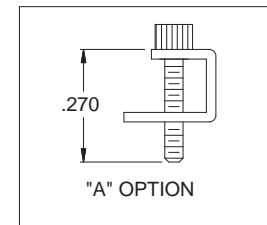
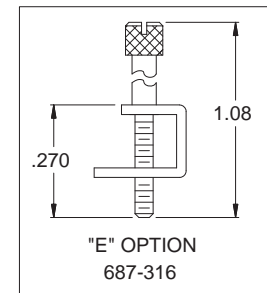
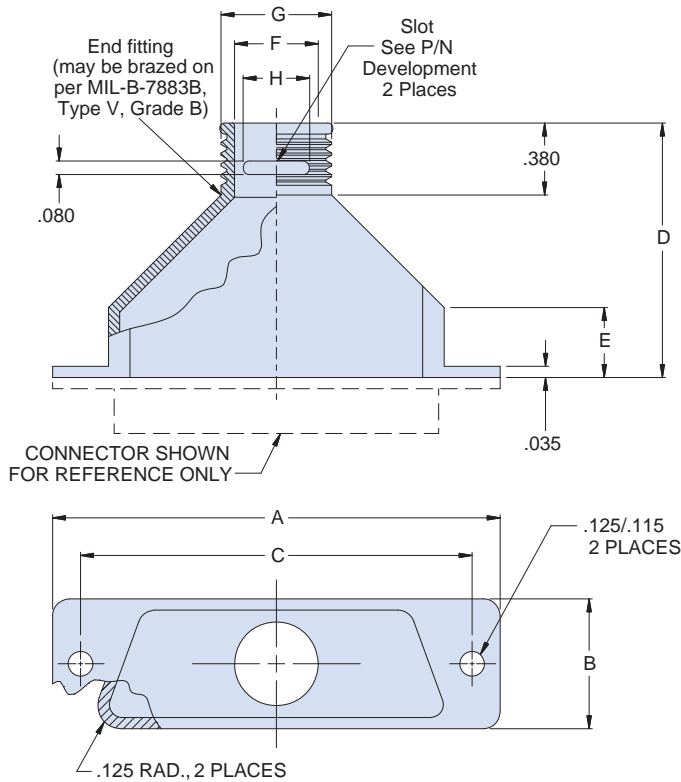
# SPACE-GRADE MIL-DTL-24308 D-SUB BACKSHELLS Lightweight, Low-Profile EMI/RFI Backshell



## Solid shell, top, round cable entry - 557-107



How To Order							
<b>Sample Part Number</b>	<b>557-107</b>	<b>M</b>	<b>2</b>	<b>-03</b>	<b>C</b>	<b>B</b>	<b>S</b>
<b>Basic Part No.</b>	D-Subminiature Lightweight Banding Backshell						
<b>Finish Symbol</b>	<b>M</b> = Electroless Nickel <b>Z2</b> = Gold Plate						
<b>Shell Size</b>	<b>1, 2, 3, 4, 5, 6</b> (Table I)						
<b>Cable Entry Size</b>	<b>01, 02, 03, 04, 05, 06, 07, 08, 09</b> (Table II)						
<b>Jackscrew Options</b>	<b>A</b> = Hex Socket Head <b>C</b> = Fillister Head <b>E</b> = Extended Slotted Jackscrew <b>Omit</b> for none						
<b>Band Option</b>	<b>B</b> = Standard Band Supplied <b>Omit</b> for none						
<b>Slots</b>	<b>S</b> = with Slots <b>Omit</b> for none						



Entry Size	F	G	H
01	.125 (3.2)	.205 (5.2)	.09 (2.3)
02	.187 (4.7)	.267 (6.8)	.19 (4.8)
03	.265 (6.7)	.360 (9.1)	.22 (5.6)
04	.312 (7.9)	.392 (10.0)	.25 (6.4)
05	.390 (9.9)	.485 (12.3)	.28 (7.1)
06	.415 (10.5)	.510 (13.0)	.31 (7.9)
07	.500 (12.7)	.580 (14.7)	.31 (7.9)
08	.525 (13.3)	.620 (15.7)	.38 (9.7)
09	.595 (15.1)	.690 (17.5)	.38 (9.7)

Shell Size	A	B	C±.005	D	E	Max Entry Size
1	1.203 (30.6)	0.500 (12.7)	0.984 (25.0)	1.190 (30.2)	0.440 (11.2)	06
2	1.531 (38.9)	0.500 (12.7)	1.312 (33.3)	1.270 (32.3)	0.440 (11.2)	06
3	2.078 (52.8)	0.500 (12.7)	1.852 (47.0)	1.550 (39.4)	0.500 (12.7)	06
4	2.718 (69.0)	0.500 (12.7)	2.500 (63.5)	1.690 (42.9)	0.500 (12.7)	06
5	2.625 (66.7)	0.609 (15.5)	2.406 (61.1)	1.670 (42.4)	0.440 (11.2)	08
6	2.718 (69.0)	0.668 (17.0)	2.500 (63.5)	1.690 (42.9)	0.500 (12.7)	09

### MATERIALS

Backshell: Aluminum alloy

Retainer clips, jackscrew: CRES / passivated