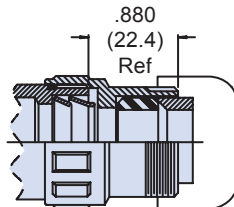
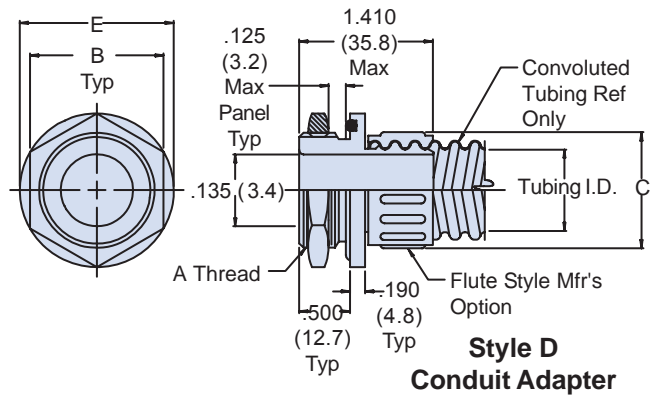
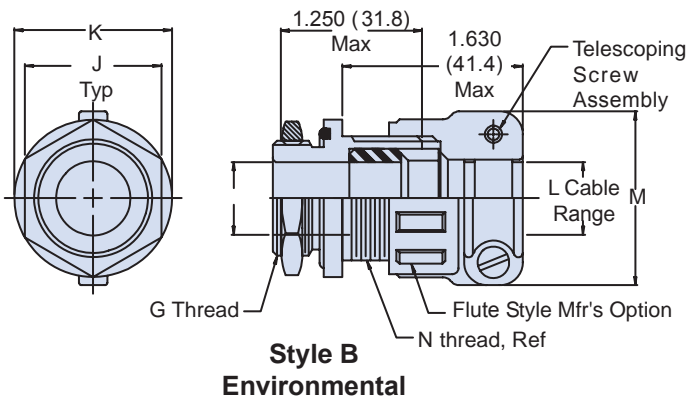
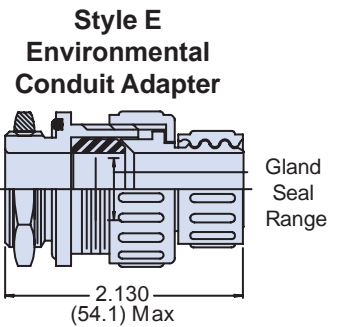
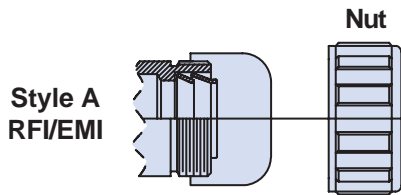
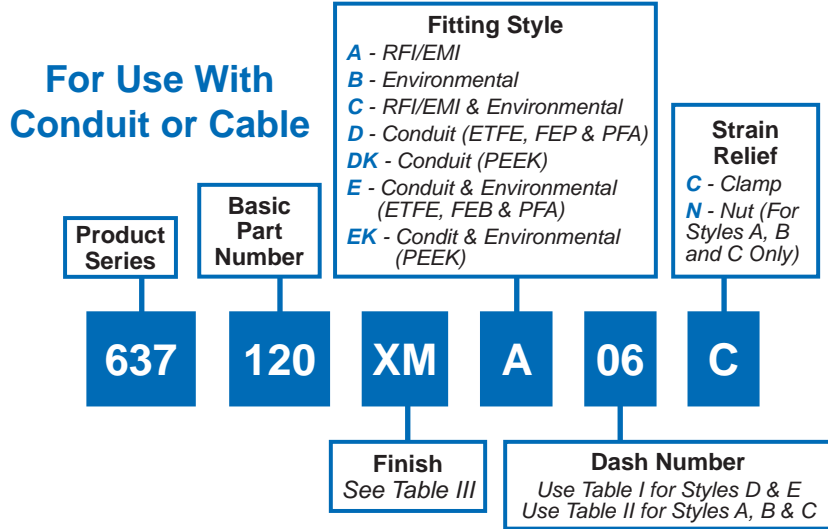


637-120 Composite Feed-Through Fitting Universal Conduit/Cable Accessory Adapter



APPLICATION NOTES

- Metric dimensions (mm) are indicated in parentheses.

F

637-120 Composite Feed-Through Fitting Universal Conduit/Cable Accessory Adapter



TABLE I

Dash No.	A Thread Class 2A	B Across Flat	C Max	D Min	E Max	Tubing I.D.		Gland Seal Range	
						Min	Max	Min	Max
06	1/2-28 UNEF	.750 (19.1)	.500 (12.7)	.162 (4.1)	.900 (22.9)	.181 (4.6)	.187 (4.7)	.156 (4.0)	.250 (6.4)
09	1/2-28 UNEF	.750 (19.1)	.600 (15.2)	.244 (6.2)	.900 (22.9)	.273 (6.9)	.281 (7.1)	.156 (4.0)	.250 (6.4)
10	5/8-24 UNEF	.880 (22.4)	.630 (16.0)	.274 (7.0)	1.030 (26.2)	.306 (7.8)	.312 (7.9)	.156 (4.0)	.250 (6.4)
12	5/8-24 UNEF	.880 (22.4)	.700 (17.8)	.326 (8.3)	1.030 (26.2)	.364 (9.2)	.375 (9.5)	.188 (4.8)	.312 (7.9)
14	3/4-20 UNEF	1.000 (25.4)	.760 (19.3)	.382 (9.7)	1.160 (29.5)	.427 (10.8)	.437 (11.1)	.250 (6.4)	.438 (11.1)
16	3/4-20 UNEF	1.000 (25.4)	.850 (21.6)	.434 (11.0)	1.160 (29.5)	.485 (12.3)	.500 (12.7)	.250 (6.4)	.438 (11.1)
20	7/8-20 UNEF	1.130 (28.7)	.970 (24.6)	.539 (13.7)	1.280 (32.5)	.608 (15.4)	.625 (15.9)	.375 (9.5)	.625 (15.9)
24	1-20 UNEF	1.250 (31.8)	1.140 (29.0)	.649 (16.5)	1.410 (35.8)	.730 (18.5)	.750 (19.1)	.375 (9.5)	.625 (15.9)
28	1 1/8-18 UNEF	1.500 (38.1)	1.280 (32.5)	.769 (19.5)	1.530 (38.9)	.860 (21.8)	.875 (22.2)	.438 (11.1)	.750 (19.1)
32	1 3/8-18 UNEF	1.750 (44.5)	1.450 (36.8)	.868 (22.0)	1.780 (45.2)	.975 (24.8)	1.000 (25.4)	.625 (15.9)	.938 (23.8)
40	1 1/2-18 UNEF	1.880 (47.8)	1.760 (44.7)	1.078 (27.4)	1.890 (48.0)	1.210 (30.7)	1.250 (31.8)	.875 (22.2)	1.250 (31.8)
48	1 3/4-18 UNEF	2.130 (54.1)	2.060 (52.3)	1.200 (30.5)	2.280 (57.9)	1.437 (36.5)	1.500 (38.1)	1.000 (25.4)	1.375 (34.9)
56	2-18 UNS	2.380 (60.5)	2.390 (60.7)	1.400 (35.6)	2.530 (64.3)	1.688 (42.9)	1.750 (44.5)	1.250 (31.8)	1.625 (41.3)
64	2 1/4-16 UN	2.630 (66.8)	2.570 (65.3)	1.600 (40.6)	2.780 (70.6)	1.937 (49.2)	2.000 (50.8)	1.250 (31.8)	1.625 (41.3)

TABLE II

Dash No.	G Thread Class 2A	H Min	J Across Flat	K Max	L		M Max	N Thread Unified Class 2 A
					Min	Max		
04	5/8-24 UNEF	.362 (9.2)	.880 (22.4)	1.030 (26.2)	.188 (4.8)	.312 (7.9)	1.150 (29.2)	11/16-24
06	3/4-20 UNEF	.434 (11.0)	1.000 (25.4)	1.160 (29.5)	.281 (7.1)	.438 (12.3)	1.270 (32.3)	13/16-20
10	1-20 UNEF	.649 (16.5)	1.250 (31.8)	1.410 (35.8)	.375 (9.5)	.610 (15.5)	1.460 (37.1)	1 1/16-18
12	1 1/8-18 UNEF	.769 (19.5)	1.500 (38.1)	1.530 (38.9)	.438 (12.3)	.750 (19.1)	1.620 (41.1)	1 1/4-18
16	1 3/8-18 UNEF	.868 (22.0)	1.750 (44.5)	1.780 (45.2)	.625 (15.9)	.860 (21.8)	1.770 (45.0)	1 1/2-18
20	1 3/4-10 UNEF	1.200 (30.5)	2.130 (54.1)	2.280 (57.9)	.875 (22.2)	1.210 (30.7)	2.060 (52.3)	1 13/16-16

TABLE III

XM	Electroless Nickel
XW	Cadmium Olive Drab Over Electroless Nickel
XO	No Plating - Base Material Non-Conductive

APPLICATION NOTES

- Metric dimensions (mm) are indicated in parentheses.