

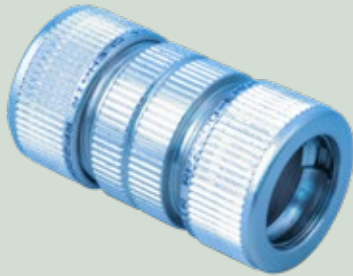
S9407-AB-HBK-010

# Conduit Systems for Shipboard Electromagnetic Shielding

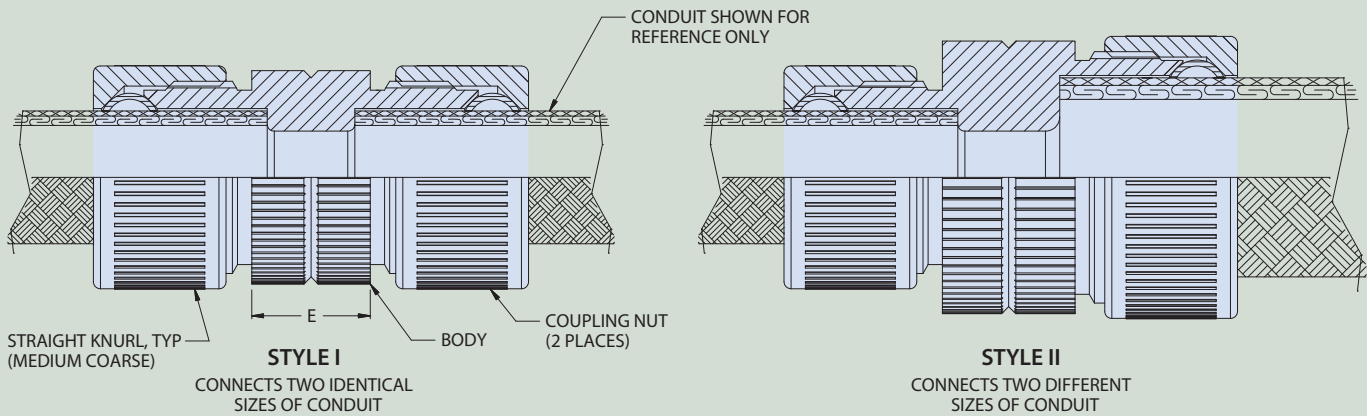
## RP2200 Coupling, conduit-to-conduit



### CONDUIT-TO-CONDUIT COUPLING IAW S9407-AB-HBK-010 REV 2, RP2200



How To Order			
Sample Part Number	RP2200	-EM08	-10
Basic Part Number	Conduit-to-conduit coupling		
Conduit Part No.	EM02, EM03, EM04, EM05, EM06, EM08, EM10, EM12, EM16, EM20, EM24 (See Material/Finish Note)		
Large Conduit Part No.	EM02, EM03, EM04, EM05, EM06, EM08, EM10, EM12, EM16, EM20, EM24 Omit for Style I (See Material/Finish Note)		



RP2000

#### MATERIAL / FINISH

Body, Ferrule, Nut - Mild Steel AISI Type B1113 IAW Fed-STD-66 / Electroless Nickel IAW AMS 2404C For Cadmium/Olive Drab over Electroless Nickel Plating, insert "G" In Place Of "EM" In Part Number Development. Option "F" Has Been Superseded By "G".