

ITS 05-XX Dummy Plug Stowage Receptacle

Reverse Bayonet Coupling

ITS - Aluminum Shell with Stainless Steel Stud

ITB - Marine Bronze or Stainless Steel Shell without Stainless Steel Studs

For further details, see diagram page A-38

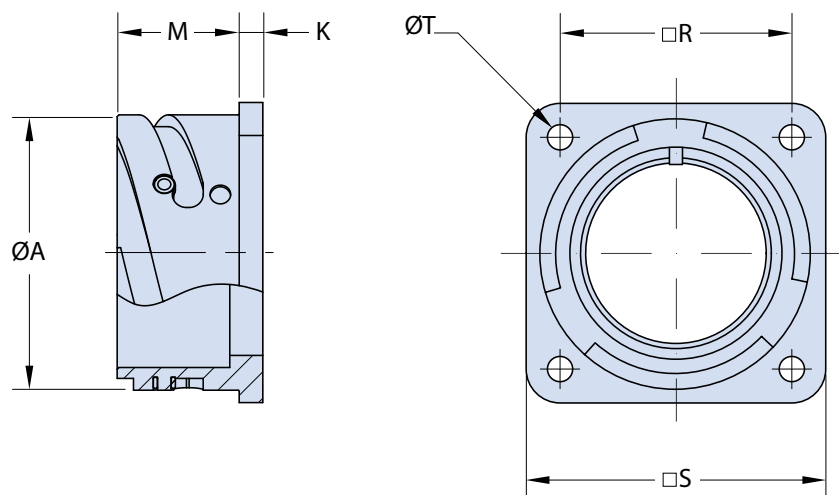
Basic Part Number and
Shell Size Designator
(Table I)

Material/Finish Options
(Table II)

ITS

05-32

XX



**TABLE I: DUMMY PLUG RECEPTACLE
SHELL SIZE & DIMENSIONS**

Shell Size	ØA +0.2 -0.1	K ±0.2	M +0.4 0	R ±0.2	S ±0.2	ØT +0.1 0
10 SL	18.2	2.8	14.2	18.25	25.4	3.2
14 S	24.5	3.2	14.2	23.00	30.4	3.2
16 S	27.2	3.2	14.2	24.60	32.5	3.2
16	27.2	3.2	19.0	24.60	32.5	3.2
18	30.7	4.0	19.0	27.00	35.0	3.2
20	34.0	4.0	19.0	29.40	38.0	3.2
22	37.3	4.0	19.0	31.75	41.0	3.2
24	40.9	4.0	20.6	34.90	44.5	3.7
28	46.7	4.0	20.6	39.70	50.9	3.7
32	53.4	4.0	22.2	44.45	57.0	4.3
36	59.6	4.0	22.2	49.20	63.5	4.3
40	65.5	4.0	22.2	55.55	69.9	4.3

TABLE II

STANDARD MATERIAL AND FINISH (*)		
Sym	Description	RoHS
	Omit for Aluminum/ Cadmium Olive Drab	
F6	Aluminum/ Black Electrodeposited Paint	✓
F7	Aluminum/ Black Zinc Nickel	✓
F11	Aluminum/ Electroless Nickel	✓
MB	Marine Bronze/ Unplated	✓
FK	Stainless Steel/ Passivate	✓

(*) For further options, please contact the factory.

Application Notes

1. Dummy receptacle stowage fitting protects the plug connector when not in use.
2. Standard materials configuration consists of aluminum alloy. For platings, see TABLE II finish options.