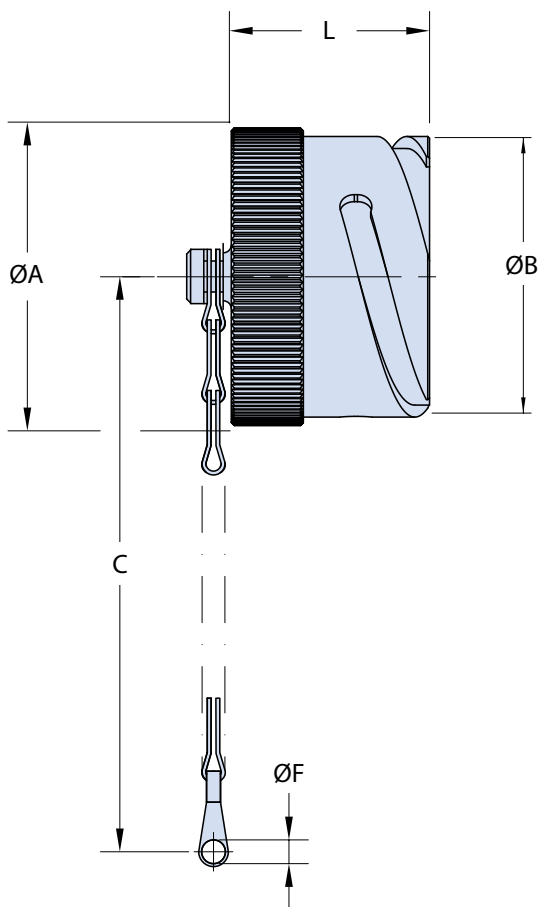
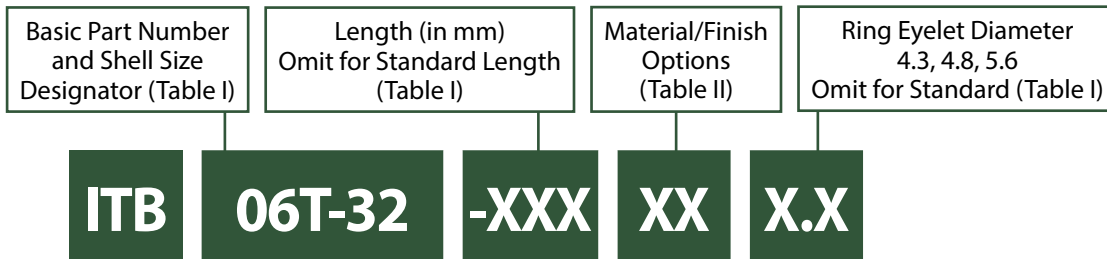


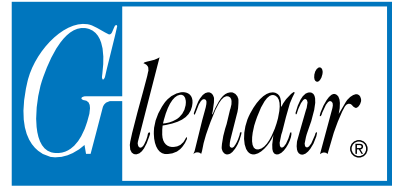
## ITB 06T-XX Plug Connector Cap with Stainless Steel Chain



### Application Notes

1. Metal protective cap for bayonet plug connectors with stainless steel chain.
2. Standard materials configuration consists of aluminum alloy. For platings, see TABLE II finish options.

**ITB 06T-XX**  
**Plug Connector Cap**  
**with Stainless Steel Chain**



**TABLE I: PLUG CONNECTOR CAP PART NUMBERS, CONNECTOR SIZE AND DIMENSIONS**

Part Number	Connector Size	ØA Max.	ØB ±0.1	C Min.	ØF +0.2 -0	L Max.
<b>ITB 06T-10 SL</b>	10SL	22.7	18.2	108	4.3	24.0
<b>ITB 06T-14</b>	14S	30.0	24.6	123	4.3	24.0
<b>ITB 06T-16</b>	16S	32.5	27.4	123	4.3	24.0
<b>ITB 06T-17</b>	16	32.5	27.4	123	4.3	33.0
<b>ITB 06T-18</b>	18	36.4	30.8	123	4.3	33.0
<b>ITB 06T-20</b>	20	40.5	34.2	138	4.8	33.0
<b>ITB 06T-22</b>	22	43.5	37.4	138	4.8	33.0
<b>ITB 06T-24</b>	24	46.5	40.9	138	4.8	33.0
<b>ITB 06T-28</b>	28	54.0	46.7	206	4.8	33.0
<b>ITB 06T-32</b>	32	60.0	53.4	206	5.6	34.2
<b>ITB 06T-36</b>	36	66.2	59.6	206	5.6	34.2
<b>ITB 06T-40</b>	40	73.0	65.5	206	5.6	34.2

**TABLE II**

STANDARD MATERIAL AND FINISH (*)		
Sym	Description	RoHS
	Omit for Aluminum/ Cadmium Olive Drab	
F6	Aluminum/ Black Electrodeposited Paint	✓
F7	Aluminum/ Black Zinc Nickel	✓
F11	Aluminum/ Electroless Nickel	✓
MB	Marine Bronze/ Unplated	✓
FK	Stainless Steel/ Passivate	✓

(\*) For further options, please contact the factory.