

ITB 06KC-XX Plug Connector Cap with Polyamide Black Rope

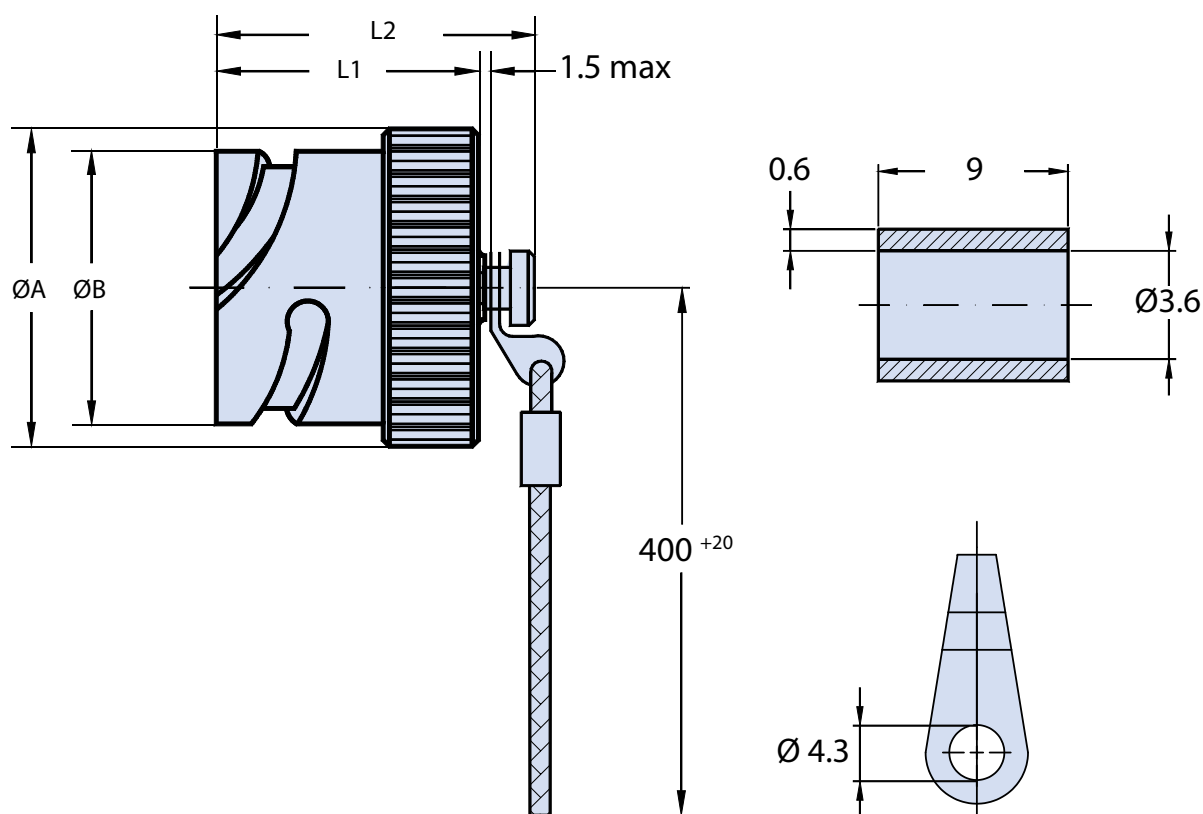
Basic Part Number and Shell
Size Designator (Table I)

Material/Finish Options
(Table II)

ITB

06KC-14S

XX



Application Notes

1. Metal protective cap for bayonet plug connectors with polyamide black rope, supplied with loose terminal link and crimp sleeve.
2. Standard configuration consists of aluminum alloy with cadmium olive drab passivation IAW QQ-P-416. Other options for material and finish are available. See our website and/or contact the factory for complete information.

**ITB 06KC-XX
Plug Connector Cap
with Polyamide Black Rope**



TABLE I: PLUG CONNECTOR CAP PART NUMBER, CONNECTOR SIZE AND DIMENSIONS

Part Number	Connector Size	ØA Max.	ØB ±0.1	L1 Max.	L2 Max.
ITB 06KC -10SL	10SL	22.7	18.2	24.0	29.5
ITB 06KC -14S	14S	30.0	24.6	24.0	29.5
ITB 06KC -16	16S	32.5	27.4	24.0	29.5
ITB 06KC -17	16	32.5	27.4	33.0	37.7
ITB 06KC -18	18	36.4	30.8	33.0	37.7
ITB 06KC -20	20	40.5	34.2	33.0	37.7
ITB 06KC -22	22	43.5	37.4	33.0	37.7
ITB 06KC -24	24	46.5	40.9	33.0	37.7
ITB 06KC -28	28	54.0	46.7	33.0	37.7
ITB 06KC -32	32	60.0	53.4	34.2	38.9
ITB 06KC -36	36	66.2	59.6	34.2	38.9
ITB 06KC -40	40	73.0	65.5	34.2	38.9

TABLE II

STANDARD MATERIAL AND FINISH (*)		
Sym	Description	RoHS
	Omit for Aluminum/ Cadmium Olive Drab	
F6	Aluminum/ Black Electrodeposited Paint	✓
F7	Aluminum/ Black Zinc Nickel	✓
F11	Aluminum/ Electroless Nickel	✓
MB	Marine Bronze/ Unplated	✓
FK	Stainless Steel/ Passivate	✓

(*) For further options, please contact the factory.