

## ITB 02T-XX Receptacle Connector Cap with Stainless Steel Chain

Basic Part Number  
and Shell Size  
Designator (Table I)

Length (in mm)  
Omit for Standard Length  
(Table I)

Material/Finish  
Options  
(Table II)

Ring Eyelet Diameter  
4.3, 5.6  
Omit for Standard (Table I)

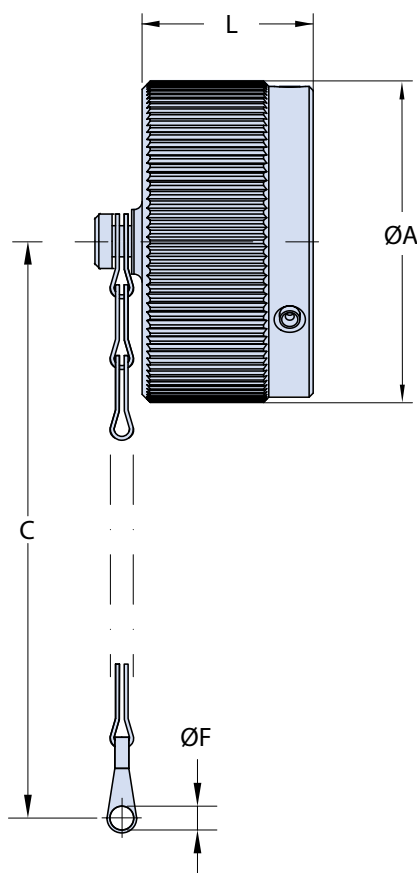
**ITB**

**02T-32**

**-XXX**

**XX**

**X.X**



### Application Notes

1. Metal protective cap for bayonet receptacle connectors with stainless steel chain.
2. Standard materials configuration consists of aluminum alloy. For platings, see TABLE II finish options.

**ITB 02T-XX**  
**Receptacle Connector Cap**  
**with Stainless Steel Chain**



**TABLE I: RECEPTACLE CONNECTOR CAP PART NUMBERS, CONNECTOR SIZE AND DIMENSIONS**

Part Number	Connector Size	ØA ±0.5	C Min.	ØF ±0.2 -0	L Max.
ITB 02T -10SL	10SL	22.6	108	4.3	16.0
ITB 02T -14	14S	29.0	108	4.3	16.0
ITB 02T -16	16S	32.0	108	4.3	16.0
ITB 02T -17	16	32.0	123	4.3	21.0
ITB 02T -18	18	36.5	123	4.3	21.7
ITB 02T -20	20	39.8	123	4.3	21.7
ITB 02T -22	22	43.0	123	4.3	21.7
ITB 02T -24	24	46.4	123	4.3	21.7
ITB 02T -28	28	53.0	206	5.6	21.7
ITB 02T -32	32	60.0	206	5.6	21.7
ITB 02T -36	36	66.2	206	5.6	21.7
ITB 02T -40	40	72.3	206	5.6	21.7

**TABLE II**

STANDARD MATERIAL AND FINISH (*)		
Sym	Description	RoHS
	Omit for Aluminum/ Cadmium Olive Drab	
F6	Aluminum/ Black Electrodeposited Paint	✓
F7	Aluminum/ Black Zinc Nickel	✓
F11	Aluminum/ Electroless Nickel	✓
MB	Marine Bronze/ Unplated	✓
FK	Stainless Steel/ Passivate	✓

(\*) For further options, please contact the factory.