

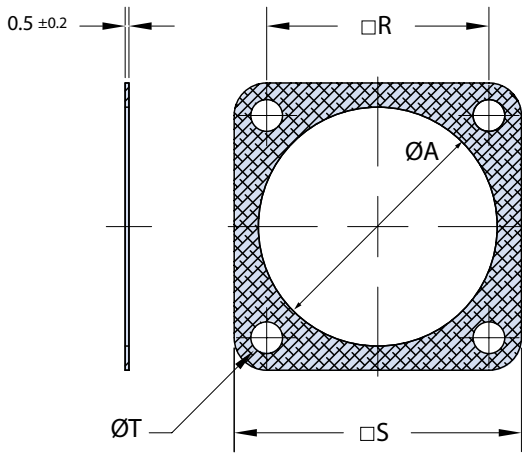
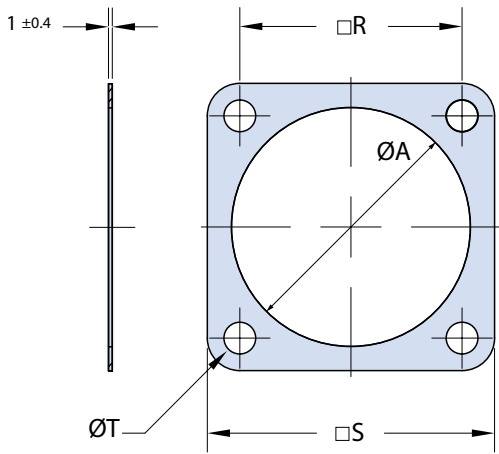
**IT 40460-XX and IT 40460-XX S
Connector Mounting Gaskets
for Rear-Mounted Square Flange Receptacle**



Basic Part Number and Shell
Size Designator (Table I)

Material (Table II)

IT 40460 -XX S



**TABLE I: CONDUCTIVE & NON-CONDUCTIVE
FIXED CONNECTOR GASKETS**

Part Number	Shell Size	ØA +0.3	R ±0.2	S ±0.5	ØT +0.5
IT 40460 - 10	10SL	18.2	18.2	25.4	4.2
IT 40460 - 14	14S	24.6	23.0	30.0	4.2
IT 40460 - 16	16S - 16	27.4	24.6	32.5	4.2
IT 40460 - 18	18	30.8	27.0	35.0	4.2
IT 40460 - 20	20	34.2	29.4	38.0	4.2
IT 40460 - 22	22	37.4	31.8	41.0	4.2
IT 40460 - 24	24	40.9	34.9	44.5	4.2
IT 40460 - 28	28	46.7	39.7	50.8	5.1
IT 40460 - 32	32	53.4	44.5	57.0	5.1
IT 40460 - 36	36	59.6	49.2	63.5	5.1
IT 40460 - 40	40	65.5	55.5	69.9	5.1

TABLE II

MATERIAL	
Sym	Description
	Omit for Neoprene
S	Wire Mesh in Neoprene Substrate (Conductive)
F	Fluorosilicone
V	Viton
Y	Silicone

Application Notes

1. Conductive and non-conductive gasket for rear-mount square flange receptacles.