

IT 3057-XXA Cable Clamp, General Duty for Jacketed or Multipolar Cable or Wires Protected by Tubing

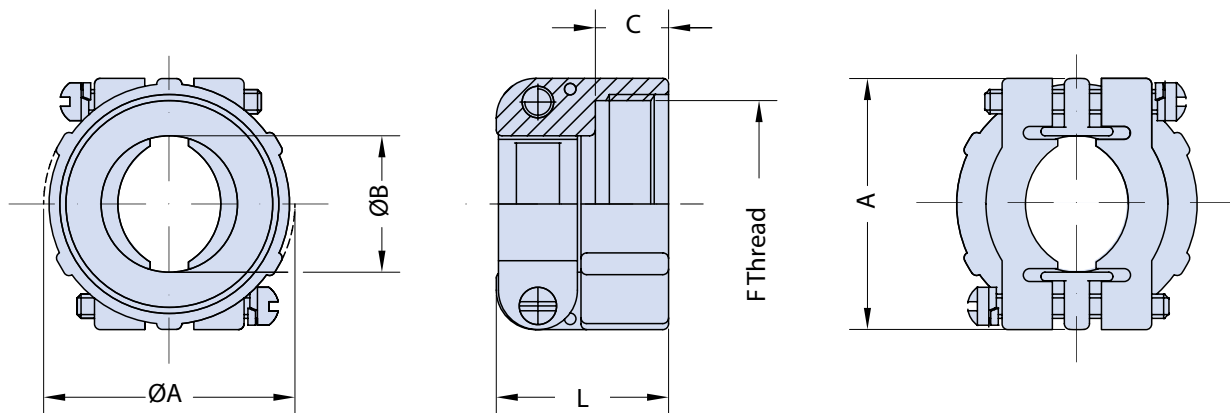
Basic Part Number and Shell
Size Designator (Table I)

Finish Options
(Table II)

IT

3057-20A

XX



Application Notes

1. General duty cable clamp suitable for jacketed or multipolar cable or wires protected by tubing.
2. Standard materials configuration consists of aluminum alloy. For platings, see TABLE II finish options.

IT 3057-XXA
Cable Clamp, General Duty
 for Jacketed or Multipolar Cable or Wires Protected by Tubing

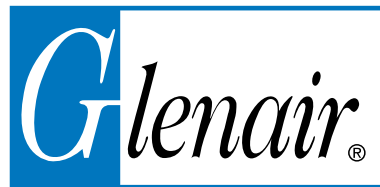


TABLE I: CABLE CLAMP PART NUMBERS, SHELL SIZE, SLEEVING, DIMENSIONS & THREAD

Part Number	Shell Size	Sleeve to Use	ØA	ØB	C	F Thread	L Max.
IT 3057- 4A	10 SL	IT 3420- 4	25	8.2	10.2	0.6250 - 24UNEF	21.0
IT 3057- 6A	14 S	IT 3420- 6	27	11.2	10.2	0.7500 - 20UNEF	22.2
IT 3057- 8A	16 S - 16	IT 3420- 8	28	14.2	10.2	0.8750 - 20UNEF	24.0
IT 3057-10A	18	IT 3420-10	33	16.0	10.2	1.0000 - 20UNEF	28.5
IT 3057-12A	20 - 22	IT 3420-12	35	19.0	10.2	1.1875 - 18UNEF	24.0
IT 3057-16A	24 - 28	IT 3420-16	43	23.8	10.5	1.4375 - 18UNEF	26.0
IT 3057-20A	32	IT 3420-20	51	31.7	12.5	1.7500 - 18UNS	28.0
IT 3057-24A	36	IT 3420-24	58	35.0	14.0	2.0000 - 18UNS	29.4
IT 3057-28A	40	IT 3420-28	65	41.2	14.0	2.2500 - 16UN	42.8

TABLE II

STANDARD MATERIAL AND FINISH (*)		
Sym	Description	RoHS
	Omit for Aluminum/ Cadmium Olive Drab	
F6	Aluminum/ Black Electrodeposited Paint	✓
F7	Aluminum/ Black Zinc Nickel	✓
F11	Aluminum/ Electroless Nickel	✓

(*) For further options, please contact the factory.