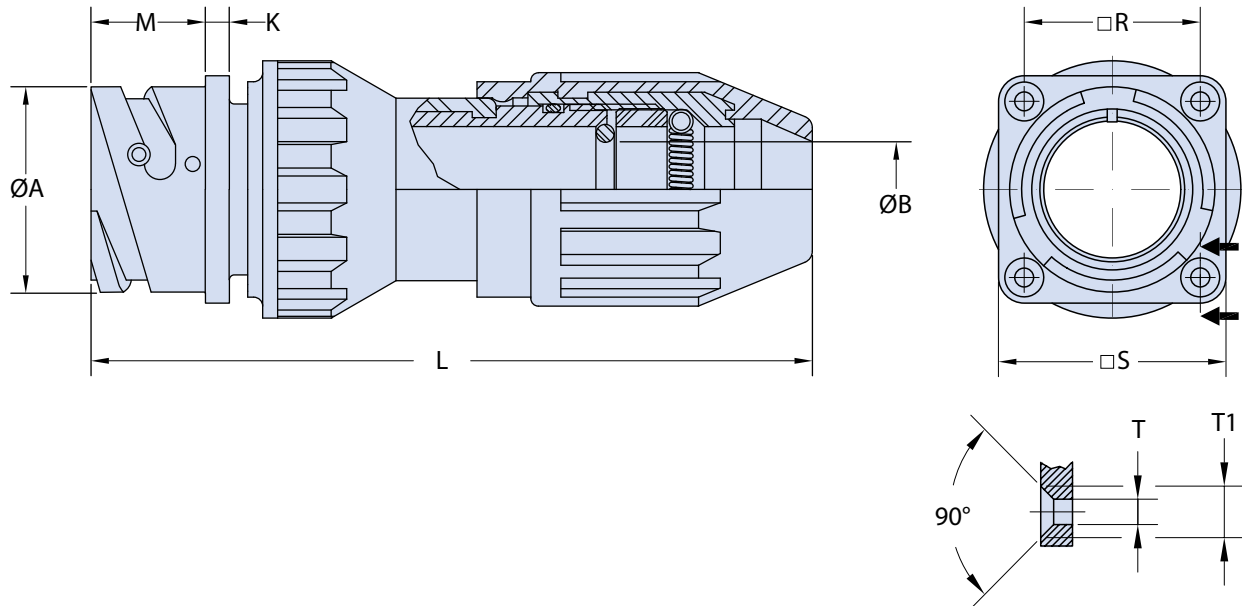
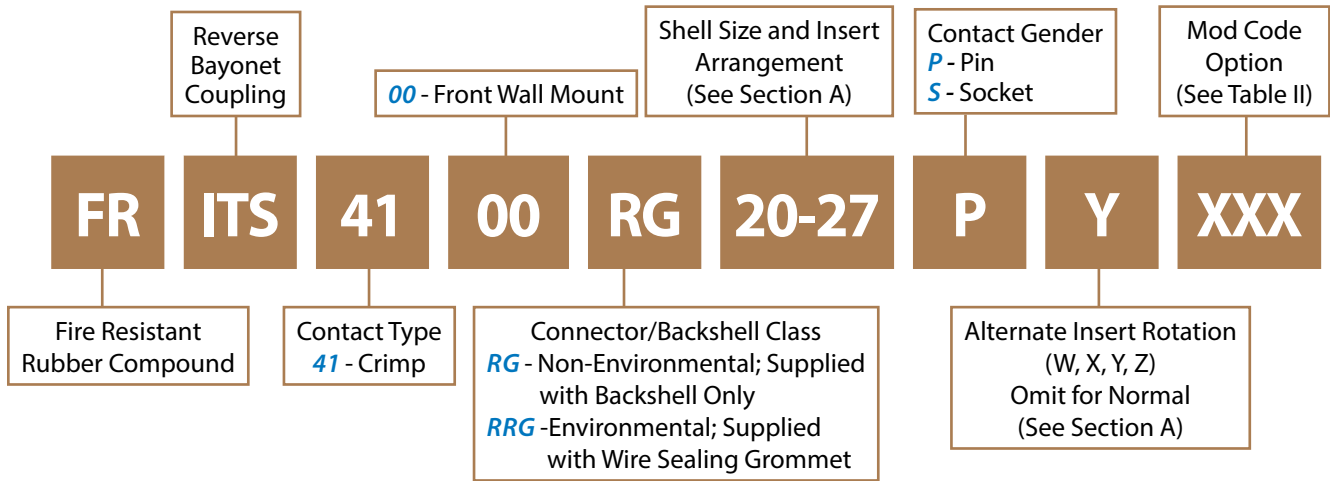


ITS 4100 RG and ITS 4100 RRG Front Panel Mount Square Flange Receptacle with Rubber-Coated Cable Sealing Backshell



Application Notes

1. Front panel mount square flange receptacle with rubber-coated cable sealing backshell with spring style strain relief for use with jacketed cables. Through mounting holes.
2. RG - Non-Environmental; grommet not supplied.
RRG - Environmental; supplied with wire sealing grommet.
3. Standard materials configuration consists of aluminum alloy.
4. Standard contact material consists of copper alloy with silver plating or gold plating.

**ITS 4100 RG and ITS 4100 RRG
Front Panel Mount Square Flange Receptacle
with Rubber-Coated Cable Sealing Backshell**



Series ITS-RG

TABLE I: DIMENSIONS

Shell Size	ØA +0.2 -0.1	ØB		K ±0.2	L Max.	M +0.4 -0	R ±0.2	S ±0.2	ØT H13	ØT1
		Min.	Max							
14 S	24.5	9.52	12.70	3.2	90	14.2	23.00	30.4	3.2	6.5
16 S	27.2	12.70	15.90	3.2	90	14.2	24.60	32.5	3.2	6.5
16	27.2	12.70	15.90	3.2	100	19.0	24.60	32.5	3.2	6.5
18	30.7	12.70	15.90	4.0	105	19.0	27.00	35.0	3.2	6.5
20	34.0	15.90	19.00	4.0	110	19.0	29.40	38.0	3.2	6.5
22	37.3	15.90	19.00	4.0	110	19.0	31.75	41.0	3.2	6.5
24	40.9	19.00	22.20	4.0	140	20.6	34.90	44.5	3.7	7.5
28	46.7	22.20	25.40	4.0	140	20.6	39.70	50.9	3.7	7.5
32	53.4	28.50	31.75	4.0	145	22.2	44.50	57.0	4.3	8.0
36	59.6	31.75	34.90	4.0	160	22.2	49.20	63.5	4.3	8.0
40	65.5	38.00	41.27	4.0	165	22.2	55.55	69.9	4.3	8.0

TABLE II: MODIFICATION CODES

CONTACT OPTIONS		
Sym	Description	
B0	Connector without Contacts**	
B1	Connector with Gold Plated Contacts	
Omit for standard version (Silver plated)		
STANDARD MATERIAL AND FINISH (*)		
Sym	Description	RoHS
	Omit for Aluminum/ Cadmium Olive Drab	
F6	Aluminum/ Black Electrodeposited Paint	✓
F7	Aluminum/ Black Zinc Nickel	✓
F11	Aluminum/ Electroless Nickel	✓

(*) Apply to components without rubber covering only.
For further finish options, please contact the factory.

(**) Crimp Contacts Only