

## ITS 3108 GS and ITS 4108 GS Cylindrical Plug Assembly with 90° Backshell with Grommet and Backshell for Heat Shrink Tubing

Reverse Bayonet Coupling  
**ITS** - Aluminum Shell with Stainless Steel Studs  
**ITB** - Marine Bronze or Stainless Steel Shell  
 without Stainless Steel Studs  
 For further details, see diagram on page A-38

Connector/Backshell Class  
**GS** - Environmental; Supplied  
 with Grommet and Backshell  
 for Heat Shrink Tubing

Contact Gender  
**P** - Pin  
**S** - Socket

Mod Code  
 Option  
 (See Table II)

**XX** **ITS** **G** **31** **08** **GS** **20-27** **P** **Y** **XXX**

Elastomer  
 Option  
 (See Table III)

Grounding  
 Fingers  
 (Omit for  
 Standard)

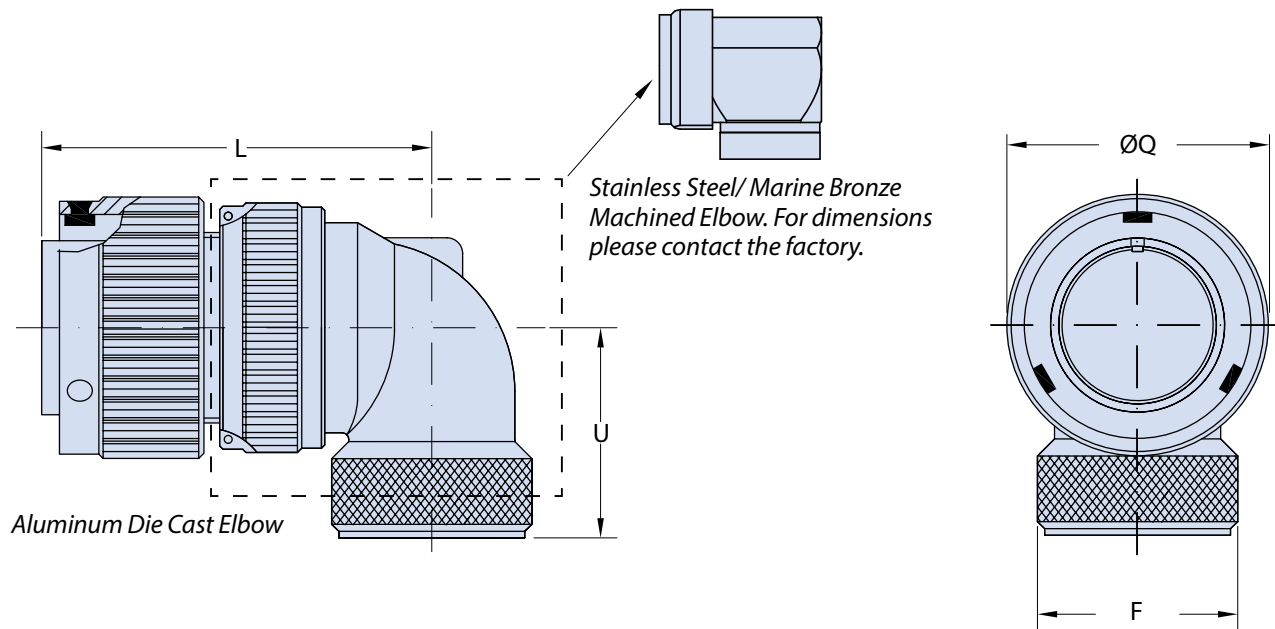
Contact Type  
**31** - Solder  
**41** - Crimp

**08** - 90° Plug Assembly

Shell Size and Insert  
 Arrangement  
 (See Section A)

Alternate Insert Rotation  
 (W, X, Y, Z)  
 Omit for Normal  
 (See Section A)

B



### Application Notes

1. 90° plug assembly with backshell with knurl for heat shrink tubing.
2. Connector Backshell Class "GS" - Environmental; Supplied with Grommet;
3. Standard contact material consists of copper alloy with silver plating or gold plating.
4. A broad range of other front and rear connector accessories are available.  
 See our website and/or contact the factory for complete information.

**ITS 3108 GS and ITS 4108 GS  
Cylindrical Plug Assembly with 90° Backshell  
with Grommet and Backshell for Heat Shrink Tubing**



**TABLE I: DIMENSION**

Shell Size	L Max.	ØQ ±0.2	ØF +0 -0.5	U Max.
<b>10 SL</b>	40	22.6	15.9	30.0
<b>14 S</b>	42	29.0	19.1	30.0
<b>16 S</b>	46	31.6	22.3	30.0
<b>16</b>	55	31.6	22.3	30.0
<b>18</b>	57	36.2	25.5	35.0
<b>20</b>	62	39.8	30.2	35.0
<b>22</b>	62	43.0	30.2	35.0
<b>24</b>	67	46.4	36.6	40.0
<b>28</b>	67	53.0	36.6	40.0
<b>32</b>	72	60.0	44.5	46.0
<b>36</b>	75	66.2	50.9	50.0
<b>40</b>	78	72.3	57.2	54.6

**TABLE II: MODIFICATION CODES**

CONTACT OPTIONS		
Sym	Description	
B0	Connector without Contacts**	
B1	Connector with Gold Plated Contacts	
<b>Omit for standard version (Silver plated)</b>		
STANDARD MATERIAL AND FINISH (*)		
Sym	Description	RoHS
	Omit for Aluminum/ Cadmium Olive Drab	
F6	Aluminum/ Black Electrodeposited Paint	✓
F7	Aluminum/ Black Zinc Nickel	✓
F11	Aluminum/ Electroless Nickel	✓
MB	Marine Bronze/ Unplated	✓
FK	Stainless Steel/ Passivate	✓

**TABLE III**

ELASTOMER OPTIONS	
Sym	Description
	Omit for Polychloroprene Elastomer
FR	Fire Resistant Elastomer
S	Silicone Elastomer

(\*) For further options, please contact the factory.

(\*\*) Crimp Contacts Only