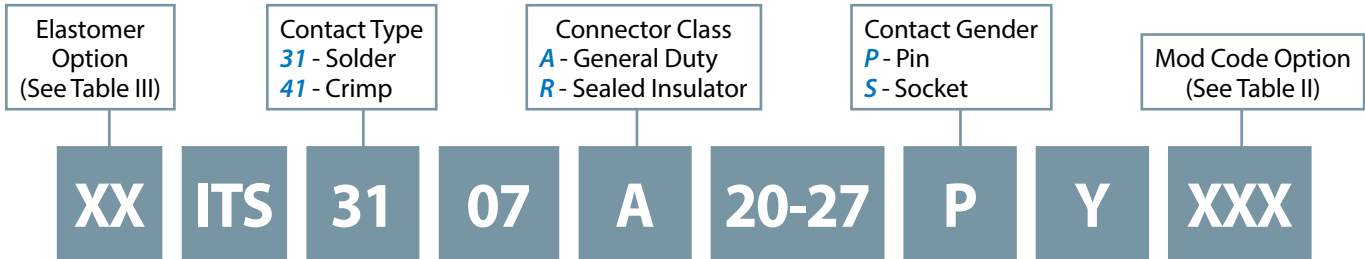


ITS 3107 A and ITS 3107 R
ITS 4107 A and ITS 4107 R
Rear Panel Mount Jam Nut Receptacle
No Accessory Threads

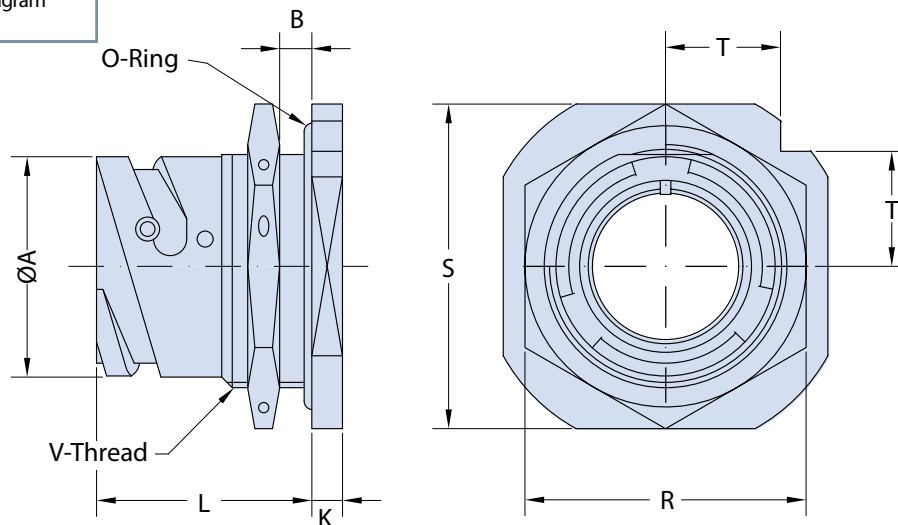


Reverse Bayonet Coupling
ITS - Aluminum Shell with
Stainless Steel Studs
ITB - Marine Bronze or
Stainless Steel Shell without
Stainless Steel Studs
For further details, see diagram
on page A-38

07 - Rear Box Mount
Jam Nut Receptacle

Shell Size and Insert
Arrangement
(See Section A)

Alternate Insert Rotation
(W, X, Y, Z)
Omit for Normal
(See Section A)



Application Notes

1. Rear panel mount jam nut receptacle without accessory threads.
2. Connector Class "A" - General Duty.
Connector Class "R" - Environmental. Sealed insulator only with solder contacts.
3. Standard materials configuration consists of aluminum alloy. For platings, see TABLE II finish options.
4. Standard contact material consists of copper alloy with silver plating or gold plating.

**ITS 3107 A and ITS 3107 R
ITS 4107 A and ITS 4107 R
Rear Panel Mount Jam Nut Receptacle
No Accessory Threads**

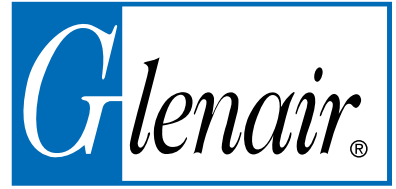


TABLE I: DIMENSIONS

Shell Size	ØA +0.2 -0.1	B		K ±0.2	L ±0.1	R Key	S ±0.2	T	V Thread
		Min.	Max.						
10 SL	18.2	2.4	5.2	4.0	24.5	27	31.8	11.2	0.8750 - 20UNEF
14 S	24.5	2.4	7.5	4.8	26.8	33	41.3	14.6	1.1250 - 18UNEF
16 S	27.2	2.4	7.5	4.8	26.8	38	44.4	15.7	1.2500 - 18UNEF
16	27.2	2.4	7.5	4.8	32.2	38	44.4	15.7	1.2500 - 18UNEF
18	30.7	2.4	9.0	4.8	33.7	40	47.6	16.8	1.3750 - 18UNEF
20	34.0	2.4	9.0	4.8	33.7	44	50.8	18.0	1.5000 - 18UNEF
22	37.3	2.4	9.1	4.8	33.7	46	54.2	20.2	1.6250 - 18UNEF
24	40.9	2.4	9.1	4.8	33.7	51	57.2	20.2	1.7500 - 18UNS
28	46.7	2.4	8.5	5.6	35.2	55	63.5	22.5	2.0000 - 18UNS
32	53.4	2.4	6.5	5.6	35.2	62	69.8	24.7	2.2500 - 16UN
36	59.6	2.4	8.3	5.6	35.2	71	76.2	26.9	2.5000 - 16UN
40	65.5	2.4	8.3	5.6	35.2	75	83.5	29.6	2.7500 - 16UN

B

TABLE II: MODIFICATION CODES

CONTACT OPTIONS		
Sym	Description	
B0	Connector without Contacts**	
B1	Connector with Gold Plated Contacts	
Omit for standard version (Silver plated)		
STANDARD MATERIAL AND FINISH (*)		
Sym	Description	RoHS
	Omit for Aluminum/ Cadmium Olive Drab	
F6	Aluminum/ Black Electrodeposited Paint	✓
F7	Aluminum/ Black Zinc Nickel	✓
F11	Aluminum/ Electroless Nickel	✓
MB	Marine Bronze/ Unplated	✓
FK	Stainless Steel/ Passivate	✓

TABLE III

ELASTOMER OPTIONS	
Sym	Description
	Omit for Polychloroprene Elastomer
FR	Fire Resistant Elastomer
S	Silicone Elastomer

(*) For further options, please contact the factory.

(**) Crimp Contacts Only