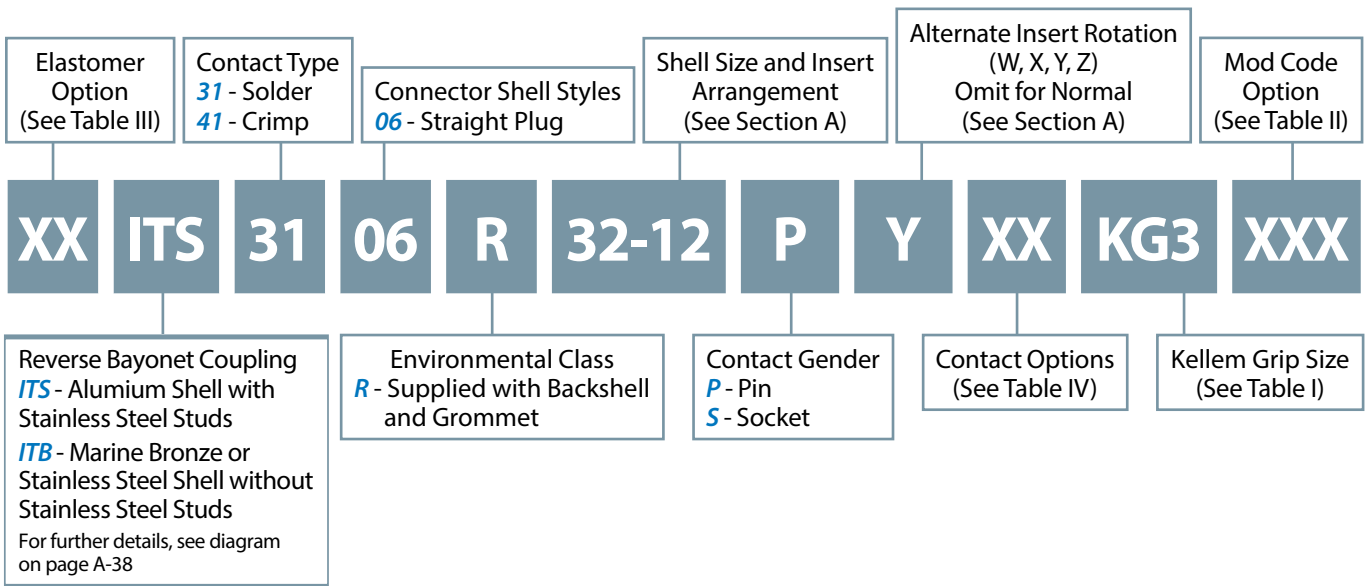
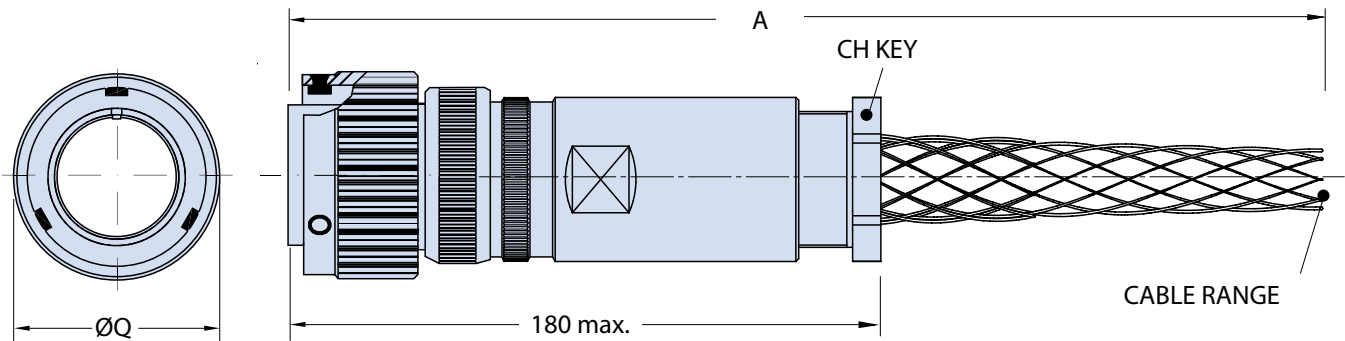


ITS 3106 KG AND ITS 4106 KG Straight Cylindrical Plug Assembly with Kellem Grip Backshell



B



Application Notes

1. Straight cylindrical plug assembly with backshell and kellem grip for heavy duty application.
2. Class "R" (Environmental): supplied with grommet and rear sleeve in the back nut.
3. Standard materials configuration consists of aluminum alloy. For platings, see Table II finish options.
4. Standard contact material consists of copper alloy with silver plating or gold plating.
5. Kellem Grip: Stainless steel.

ITS 3106 KG AND ITS 4106 KG
Straight Cylindrical Plug Assembly
with Kellem Grip Backshell



TABLE I: KELLEM GRIP SIZE AND DIMENSIONS

| Kellem Grip Size | Shell Size | Cable Range | | A | CH Key | Ø Q ±0.2 |
|------------------|------------|-------------|-------|-----|--------|-------------|
| | | Min. | Max. | | | |
| KG1 | 32 | 21.10 | 24.60 | 380 | 52 | 60 |
| KG2 | | 25.50 | 29.10 | 380 | 52 | |
| KG3 | | 26.80 | 32.00 | 410 | 52 | |
| KG4 | | 17.47 | 21.45 | 380 | 52 | |
| KG13 | | 30.10 | 34.10 | 420 | 52 | |
| KG1 | 36 | 21.10 | 24.60 | 380 | 52 | 66.2 |
| KG2 | | 25.50 | 29.10 | 380 | 52 | |
| KG3 | | 26.80 | 32.00 | 410 | 52 | |
| KG4 | | 17.47 | 21.45 | 380 | 52 | |
| KG13 | | 30.10 | 34.10 | 420 | 52 | |
| KG2 | 40 | 25.50 | 29.10 | 380 | 52 | 72.3 |
| KG3 | | 26.80 | 32.00 | 380 | 52 | |
| KG13 | | 30.10 | 34.10 | 420 | 52 | |
| KG15 | | 34.50 | 38.50 | 470 | 62 | |
| KG19 | | 39.40 | 44.40 | 500 | 62 | |

B

TABLE II: MODIFICATION CODES

| STANDARD MATERIAL AND FINISH (*) | | |
|----------------------------------|--|------|
| Sym | Description | RoHS |
| | Omit for Aluminum/ Cadmium Olive Drab | |
| F6 | Aluminum/ Black Electrodeposited Paint | ✓ |
| F7 | Aluminum/ Black Zinc Nickel | ✓ |
| F11 | Aluminum/ Electroless Nickel | ✓ |
| MB | Marine Bronze/ Unplated | ✓ |
| FK | Stainless Steel/ Passivate | ✓ |

TABLE III

| ELASTOMER OPTIONS | |
|-------------------|------------------------------------|
| Sym | Description |
| | Omit for Polychloroprene Elastomer |
| FR | Fire Resistant Elastomer |
| S | Silicone Elastomer |

TABLE IV: MODIFICATION CODES

| CONTACT OPTIONS | |
|--|-------------------------------------|
| Sym | Description |
| B0 | Connector without Contacts** |
| B1 | Connector with Gold Plated Contacts |
| Omit for standard version (Silver plated) | |

(*) For further options, please contact the factory.

(**) Crimp Contacts Only