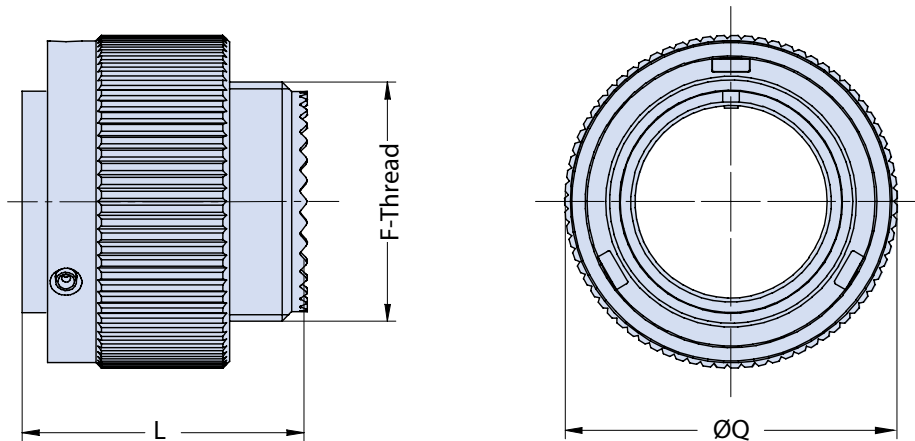
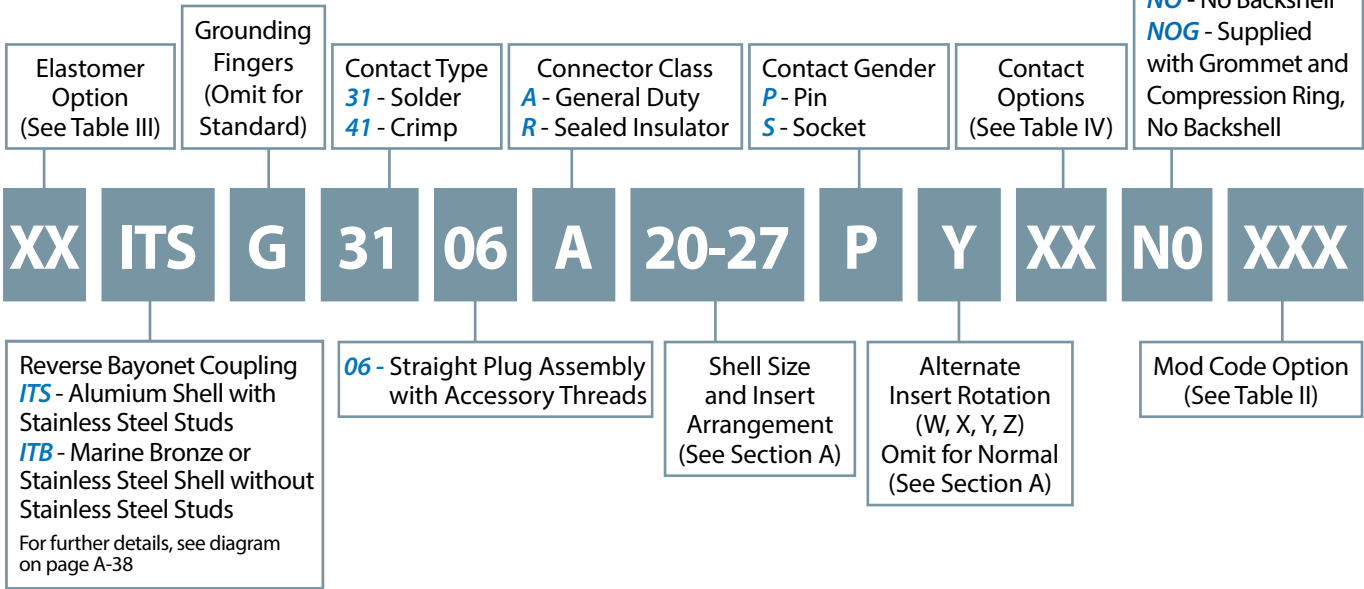


NO - No Backshell
NOG - Supplied with Grommet and Compression Ring, No Backshell



Application Notes

1. Straight plug with rear threads for attachment of various backend connector accessories. No backshell provided.
2. Connector Class "A" (General Duty). Connector Class "R" (Environmental): sealed insulator only with solder contacts.
3. Standard materials configuration consists of aluminum alloy. For platings, see TABLE II finish options.
4. Standard contact material consists of copper alloy with silver plating or gold plating.
5. A broad range of other front and rear connector accessories are available.
See our website and/or contact the factory for complete information.

ITS 3106 A N0 and ITS 4106 A N0
Straight Cylindrical Plug Connector
with Accessory Mounting Threads



TABLE I: DIMENSIONS

Shell Size	L ±0.1	ØQ ±0.2	F Thread
10 SL	24.6	22.6	0.6250 - 24UNEF
14 S	24.6	29.0	0.7500 - 20UNEF
16 S	24.6	31.6	0.8750 - 20UNEF
16	34.1	31.6	0.8750 - 20UNEF
18	34.1	36.2	1.0000 - 20UNEF
20	34.9	39.8	1.1250 - 18UNEF
22	34.9	43.0	1.2500 - 18UNEF
24	35.7	46.4	1.3750 - 18UNEF
28	35.7	53.0	1.6250 - 18UNEF
32	37.3	60.0	1.8750 - 16UN
36	37.3	66.2	2.0625 - 16UNS
40	37.3	72.3	2.3125 - 16UNS

B

TABLE II: MODIFICATION CODES

STANDARD MATERIAL AND FINISH (*)		
Sym	Description	RoHS
	Omit for Aluminum/ Cadmium Olive Drab	
F6	Aluminum/ Black Electrodeposited Paint	✓
F7	Aluminum/ Black Zinc Nickel	✓
F11	Aluminum/ Electroless Nickel	✓
MB	Marine Bronze/ Unplated	✓
FK	Stainless Steel/ Passivate	✓

TABLE III

ELASTOMER OPTIONS	
Sym	Description
	Omit for Polychloroprene Elastomer
FR	Fire Resistant Elastomer
S	Silicone Elastomer

TABLE IV: MODIFICATION CODES

CONTACT OPTIONS	
Sym	Description
B0	Connector without Contacts**
B1	Connector with Gold Plated Contacts
Omit for standard version (Silver plated)	

(*) For further options, please contact the factory.

(**) Crimp Contacts Only