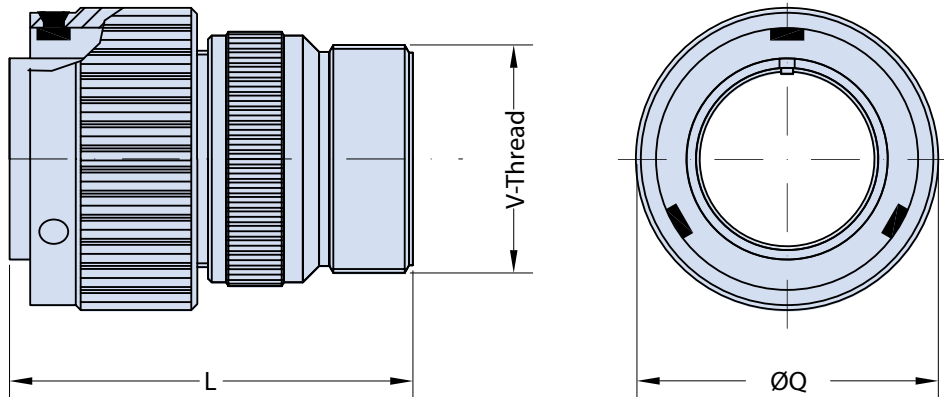
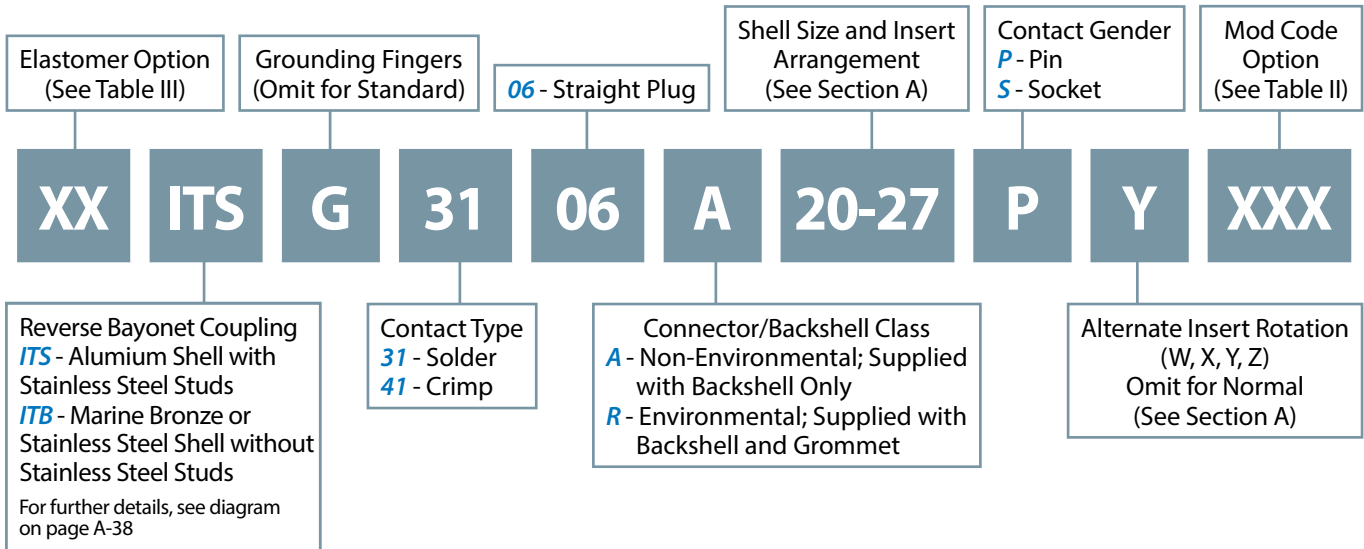


ITS 3106 A and ITS 3106 R  
ITS 4106 A and ITS 4106 R  
Straight Cylindrical Plug Assembly  
with Backshell for the Attachment of Additional Accessories



### Application Notes

1. Straight plug with backshell for the attachment of strain relief cable clamps.
2. Connector/Backshell Class "A" (non-environmental)—Not supplied with wire sealing grommet; Class "R" (environmental)—Supplied with grommet.
3. Standard materials configuration consists of aluminum alloy. For platings, see TABLE II finish options.
4. Standard contact material consists of copper alloy with silver plating or gold plating.
5. A broad range of other front and rear connector accessories are available.  
See our website and/or contact the factory for complete information.
6. Order cable clamps separately.

**ITS 3106 A and ITS 3106 R  
ITS 4106 A and ITS 4106 R  
Straight Cylindrical Plug Assembly  
with Backshell for the Attachment of Additional Accessories**



**TABLE I: DIMENSIONS**

Shell Size	L Max.	ØQ ±0.2	V Thread
<b>10 SL</b>	44.0	22.6	0.6250 - 24UNEF
<b>14 S</b>	46.5	29.0	0.7500 - 20UNEF
<b>16 S</b>	46.5	31.6	0.8750 - 20UNEF
<b>16</b>	57.5	31.6	0.8750 - 20UNEF
<b>18</b>	58.0	36.2	1.0000 - 20UNEF
<b>20</b>	58.5	39.8	1.1875 - 18UNEF
<b>22</b>	58.5	43.0	1.1875 - 18UNEF
<b>24</b>	60.5	46.4	1.4375 - 18UNEF
<b>28</b>	66.0	53.0	1.4375 - 18UNEF
<b>32</b>	71.5	60.0	1.7500 - 18UNS
<b>36</b>	77.0	66.2	2.0000 - 18UNS
<b>40</b>	77.0	72.3	2.2500 - 16UN

**TABLE II: MODIFICATION CODES**

CONTACT OPTIONS		
Sym	Description	
B0	Connector without Contacts**	
B1	Connector with Gold Plated Contacts	
<b>Omit for standard version (Silver plated)</b>		
STANDARD MATERIAL AND FINISH (*)		
Sym	Description	RoHS
	Omit for Aluminum/ Cadmium Olive Drab	
F6	Aluminum/ Black Electrodeposited Paint	✓
F7	Aluminum/ Black Zinc Nickel	✓
F11	Aluminum/ Electroless Nickel	✓
MB	Marine Bronze/ Unplated	✓
FK	Stainless Steel/ Passivate	✓

**TABLE III**

ELASTOMER OPTIONS	
Sym	Description
	Omit for Polychloroprene Elastomer
FR	Fire Resistant Elastomer
S	Silicone Elastomer

(\*) For further options, please contact the factory.

(\*\*) Crimp Contacts Only