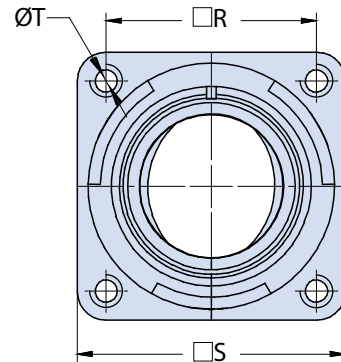
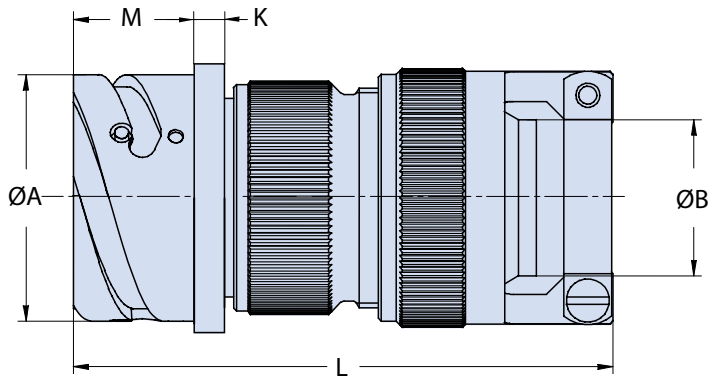
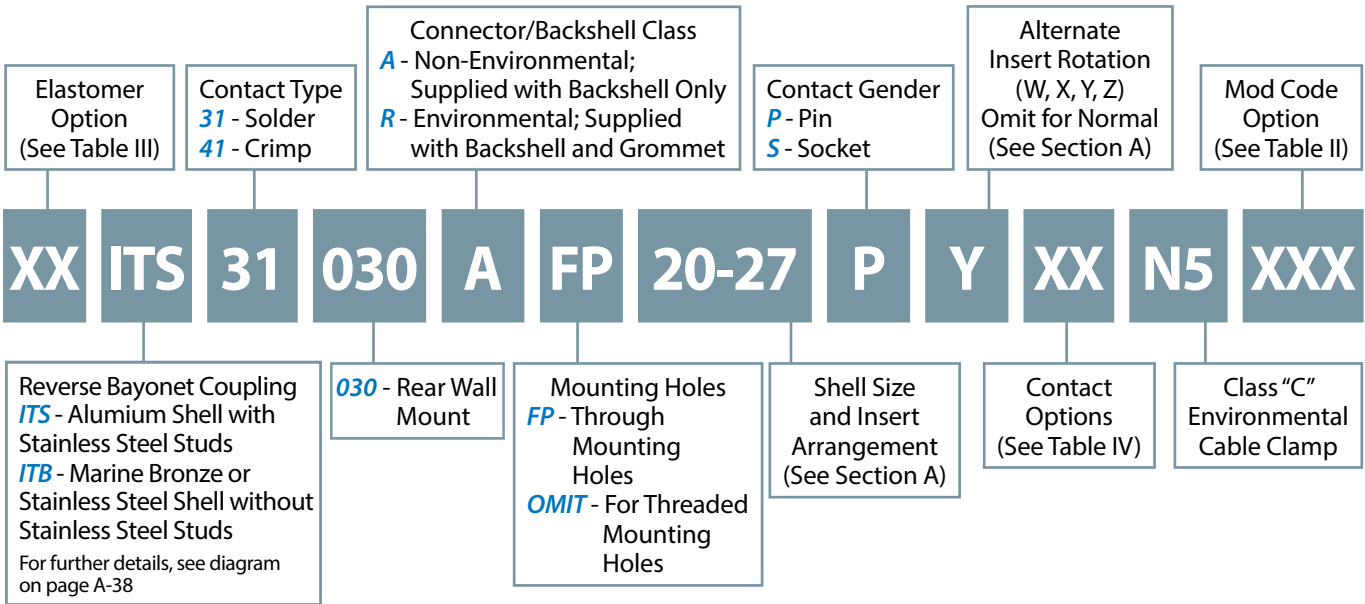


ITS 31030 A N5 and ITS 31030 R N5  
ITS 41030 A N5 and ITS 41030 R N5  
Rear Panel Mount Square Flange Receptacle Assembly  
with Class C (Environmental) IT3057 Cable Clamp



### Application Notes

1. Rear panel mount square flange receptacle with a class C (environmental) IT3057 cable clamp for use with jacketed cable. Threaded mounting holes.
2. Connector/Backshell Class "A" (non-environmental)—Not supplied with wire sealing grommet; Class "R" (environmental)—Supplied with grommet.
3. Standard materials configuration consists of aluminum alloy. For platings, see TABLE II finish options.
4. Standard contact material consists of copper alloy with silver plating or gold plating.

**ITS 31030 A N5 and ITS 31030 R N5  
ITS 41030 A N5 and ITS 41030 R N5  
Rear Panel Mount Square Flange Receptacle Assembly  
with Class C (Environmental) IT3057 Cable Clamp**



**TABLE I: DIMENSIONS**

Shell Size	ØA +0.2 -0.1	ØB		K ±0.2	L Max.	M +0.2 -0	R ±0.2	S ±0.2	T Thread
		Open	Closed						
<b>10 SL</b>	18.2	7.93	2.38	2.8	78.4	18.4	18.25	25.4	M4
<b>14 S</b>	24.5	11.12	5.84	3.2	81.2	18.4	23.00	30.4	M4
<b>16 S</b>	27.2	13.48	8.00	3.2	78.2	18.4	24.60	32.5	M4
<b>16</b>	27.2	13.48	8.00	3.2	87.2	23.2	24.60	32.5	M4
<b>18</b>	30.7	15.87	9.60	4.0	90.0	23.2	27.00	35.0	M4
<b>20</b>	34.0	19.00	11.30	4.0	94.2	23.2	29.40	38.0	M4
<b>22</b>	37.3	19.00	11.30	4.0	92.0	23.2	31.75	41.0	M4
<b>24</b>	40.9	23.80	15.50	4.0	96.3	23.2	34.90	44.5	M4
<b>28</b>	46.7	23.80	15.50	4.0	107.0	24.2	39.70	50.9	M5
<b>32</b>	53.4	31.75	23.40	4.0	113.2	24.2	44.50	57.0	M5
<b>36</b>	59.6	35.00	23.40	4.0	125.2	24.2	49.20	63.5	M5
<b>40</b>	65.5	41.25	29.90	4.0	125.2	24.2	55.55	69.9	M5

For through mounting holes refer to page B-3.

**TABLE II: MODIFICATION CODES**

STANDARD MATERIAL AND FINISH (*)		
Sym	Description	RoHS
	Omit for Aluminum/ Cadmium Olive Drab	
F6	Aluminum/ Black Electrodeposited Paint	✓
F7	Aluminum/ Black Zinc Nickel	✓
F11	Aluminum/ Electroless Nickel	✓
MB	Marine Bronze/ Unplated	✓
FK	Stainless Steel/ Passivate	✓

**TABLE III**

ELASTOMER OPTIONS	
Sym	Description
	Omit for Polychloroprene Elastomer
FR	Fire Resistant Elastomer
S	Silicone Elastomer

**TABLE IV: MODIFICATION CODES**

CONTACT OPTIONS	
Sym	Description
B0	Connector without Contacts**
B1	Connector with Gold Plated Contacts
<b>Omit for standard version (Silver plated)</b>	

(\*) For further options, please contact the factory.

(\*\*) Crimp Contacts Only