

Elastomer  
Option  
(See Table III)

XX

Contact Type  
31 - Solder  
41 - Crimp

31

Connector Class  
A - General Duty  
R - Sealed Insulator

02

A

Contact Gender  
P - Pin  
S - Socket

20-27

P

Mod Code Option  
(See Table II)

Y

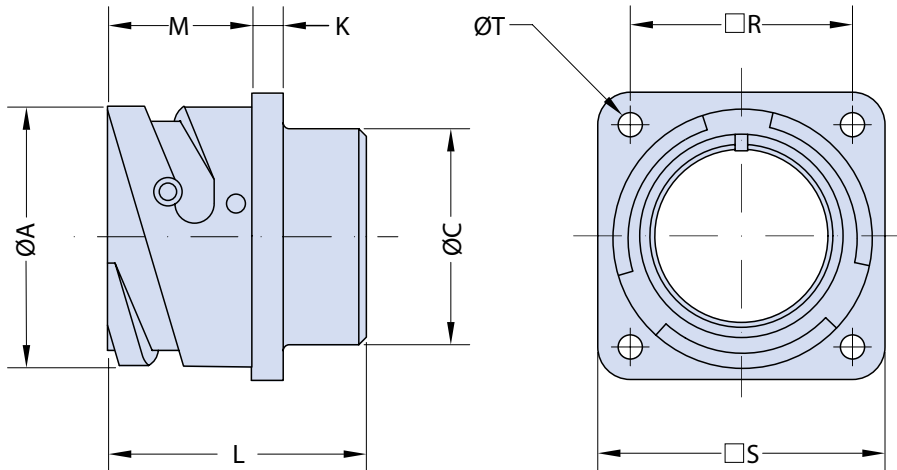
XXX

Reverse Bayonet Coupling  
ITS - Aluminum Shell with  
Stainless Steel Studs  
ITB - Marine Bronze or  
Stainless Steel Shell without  
Stainless Steel Studs  
For further details, see diagram  
on page A-38

02 - Front Wall Mount

Shell Size and Insert  
Arrangement  
(See Section A)

Alternate Insert Rotation  
(W, X, Y, Z)  
Omit for Normal  
(See Section A)



### Application Notes

1. Front panel mount square flange receptacle—No Accessory threads. Through mounting holes.
2. Connector Class "A" (General Duty). Connector Class "R" (Sealed Insulator) only with solder contacts.
3. Standard materials configuration consists of aluminum alloy. For platings, see TABLE II finish options.
4. Standard contact material consists of copper alloy with silver plating or gold plating.

**ITS 3102 A and ITS 4102 A  
ITS 3102 R and ITS 4102 R  
Front Panel Mount Square Flange Receptacle  
No Accessory Threads**



**TABLE I: DIMENSIONS**

Shell Size	ØA +0.2 -0.1	ØC Max.	K ±0.2	L Max.	M +0.4 -0	R ±0.2	S ±0.2	ØT +0.1 -0
<b>10 SL</b>	18.2	16.2	2.8	24.7	14.2	18.25	25.4	3.2
<b>14 S</b>	24.5	19.2	3.2	24.9	14.2	23.00	30.4	3.2
<b>16 S</b>	27.2	22.4	3.2	24.9	14.2	24.60	32.5	3.2
<b>16</b>	27.2	22.4	3.2	33.9	19.0	24.60	32.5	3.2
<b>18</b>	30.7	25.6	4.0	34.3	19.0	27.00	35.0	3.2
<b>20</b>	34.0	29.0	4.0	34.3	19.0	29.40	38.0	3.2
<b>22</b>	37.3	32.2	4.0	34.3	19.0	31.75	41.0	3.2
<b>24</b>	40.9	35.3	4.0	35.8	20.6	34.90	44.5	3.7
<b>28</b>	46.7	41.4	4.0	35.8	20.6	39.70	50.9	3.7
<b>32</b>	53.4	47.8	4.0	37.4	22.2	44.50	57.0	4.3
<b>36</b>	59.6	54.1	4.0	37.4	22.2	49.20	63.5	4.3
<b>40</b>	65.5	59.0	4.0	37.4	22.2	55.55	69.9	4.3

**B**

**TABLE II: MODIFICATION CODES**

CONTACT OPTIONS		
Sym	Description	
B0	Connector without Contacts**	
B1	Connector with Gold Plated Contacts	
<b>Omit for standard version (Silver plated)</b>		
STANDARD MATERIAL AND FINISH (*)		
Sym	Description	RoHS
	Omit for Aluminum/ Cadmium Olive Drab	
F6	Aluminum/ Black Electrodeposited Paint	✓
F7	Aluminum/ Black Zinc Nickel	✓
F11	Aluminum/ Electroless Nickel	✓
MB	Marine Bronze/ Unplated	✓
FK	Stainless Steel/ Passivate	✓

**TABLE III**

ELASTOMER OPTIONS	
Sym	Description
	Omit for Polychloroprene Elastomer
FR	Fire Resistant Elastomer
S	Silicone Elastomer

(\*) For further options, please contact the factory.

(\*\*) Crimp Contacts Only