

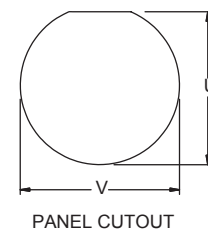
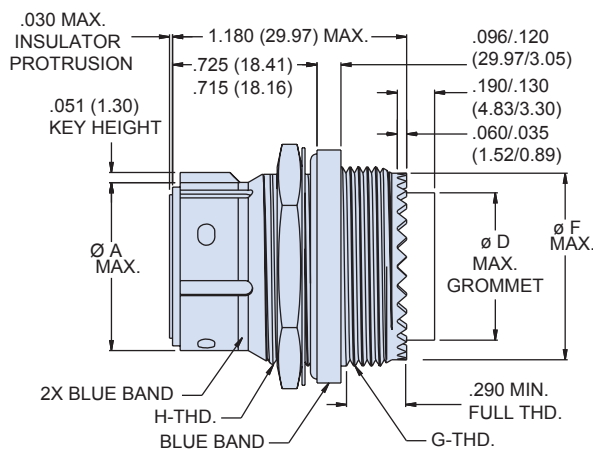
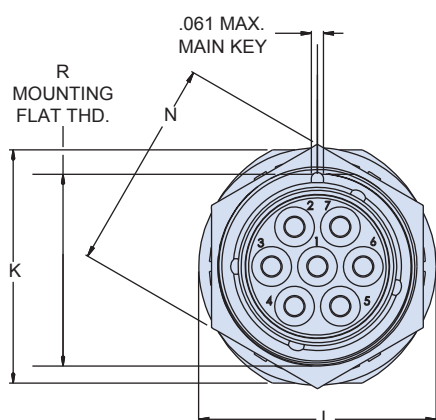
AS81703 SERIES 3 TYPE CONNECTORS

Jam nut receptacle

253-020-07



How To Order							
Sample Part Number	253-020	-	07	ME	19-7	P	N
Basic Part Number	AS81703 Series 3 type connector						
Rear Option	-- = Accessory threads B = Band porch (consult factory)						
Connector Style	07 = Jam nut receptacle AS34461 type (MS3446)						
Material / Finish	C = Al Alloy/Black Anodize ME = Al Alloy/Electroless Nickel MT = Al Alloy/Nickel-PTFE NF = Al Alloy/Cad O.D. Over Electroless Nickel ZR = Al Alloy/Zinc-Nickel Black						
Shell Size / Insert Arrangement	See Table II pg. 2, diagrams on pgs. 4-5						
Contact Styles	P = Pin insert S = Socket insert A = Pin insert less contacts B = Socket insert less contacts						
Insert Clocking Positions	N, W, X, Y, B, C (See Table III pg. 2)						



Shell Size	Panel Cutout			
	U		V	
	In.	mm	In.	mm
3	.538	13.7	.577	14.7
	.534	13.6	.567	14.4
7	.665	16.9	.701	17.8
	.661	16.8	.961	24.4
12	.788	20.0	.826	21.0
	.784	19.9	.816	20.7
19	.973	24.7	1.013	25.7
	.969	24.6	1.003	25.5
27	1.099	27.9	1.138	28.9
	1.095	27.8	1.128	28.7
37	1.224	31.1	1.263	32.1
	1.220	31.0	1.253	31.8
61	1.471	37.4	1.514	38.5
	1.467	37.3	1.504	38.2

-07 Jam Nut Receptacle Dimensions																
Shell Size	Ø A		Ø D Max.		Ø F Max.		G Thd.	H Thd.	K		L		R		N Mounting Nut	
	In.	mm	In.	mm	In.	mm			In.	mm	In.	mm	In.	mm	In.	mm
3	.441	11.2	.351	8.9	.509	12.9	9/16-24 UNEF-2A	9/16-24 UNEF-2A	.765	19.4	.765	19.4	.523	13.3	.625	15.9
	.431	10.9							.735	18.7	.735	18.7				
7	.576	14.6	.531	13.5	.687	17.4	3/4-20 UNEF-2A	11/16-24 UNEF-2A	.890	22.6	.890	22.6	.655	16.6	.812	20.6
	.566	14.4							.860	21.8	.860	21.8				
12	.710	18.0	.665	16.9	.812	20.6	7/8-20 UNEF-2A	13/16-20 UNEF-2A	1.077	27.4	1.077	27.4	.778	19.8	.937	23.8
	.700	17.8							1.047	26.6	1.047	26.6				
19	.849	21.6	.790	20.1	.937	23.8	1-20 UNEF-2A	1-20 UNEF-2A	1.171	29.7	1.202	30.5	.963	24.5	1.062	27.0
	.839	21.3							1.141	29.0	1.172	29.8				
27	1.004	25.5	.869	22.1	.992	25.2	1 1/16-18 UNEF-2A	1 1/8-18 UNEF-2A	1.327	33.7	1.327	33.7	1.089	27.7	1.250	31.8
	.994	25.2							1.297	32.9	1.297	32.9				
37	1.126	28.6	.994	25.2	1.117	28.4	1 3/16-18 UNEF-2A	1 1/4-18 UNEF-2A	1.450	36.8	1.515	38.5	1.214	30.8	1.375	34.9
	1.116	28.3							1.445	36.7	1.485	37.7				
61	1.414	35.9	1.280	32.5	1.427	36.2	1 1/2-18 UNEF-2A	1 1/2-18 UNEF-2A	1.864	47.3	1.890	48.0	1.463	37.2	1.688	42.9 ±.4
	1.404	35.7							1.834	46.6	1.860	47.2			±.015	