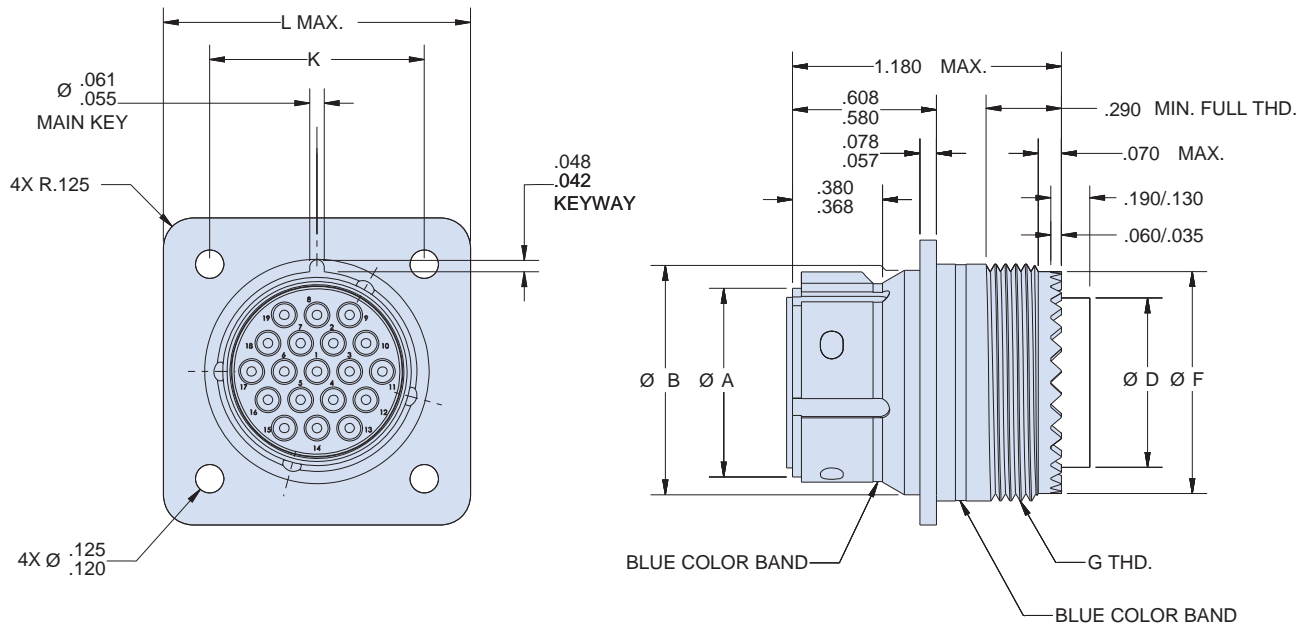


Wall-mount receptacle

253-020-00



How To Order							
Sample Part Number	253-020	-	00	ME	19-7	P	N
Basic Part Number	AS81703 Series 3 type connector						
Rear Option	- = Accessory threads B = Band porch (consult factory)						
Connector Style	00 = Sq. flange mount receptacle AS34241 type (MS3424)						
Material / Finish	C = Al Alloy/Black Anodize ME = Al Alloy/Electroless Nickel NF = Al Alloy/Cad O.D. Over Electroless Nickel MT = Al Alloy/Nickel-PTFE ZR = Al Alloy/Zinc-Nickel Black						
Shell Size / Insert Arrangement	See Table II pg. 2, diagrams on pgs. 4-5						
Contact Styles	P = Pin insert A = Pin insert less contacts S = Socket insert B = Socket insert less contacts						
Insert Clocking Positions	N, W, X, Y, B, C (See Table III pg. 2)						



-00 Wall Mount Receptacle Dimensions													
Shell Size	Ø A		Ø B		Ø D Max.		Ø F Max.		G Thd.	K		L Max.	
	In.	mm	In. ±.003	mm ±.1	In.	mm	In.	mm		In.	mm	In.	mm
3	.441 .431	11.2 10.9	.573	14.6	.351	8.9	.509	12.9	9/16-24 UNEF-2A	.625	15.9	.896	22.8
7	.576 .566	14.6 14.4	.686	17.4	.531	13.5	.687	17.4	3/4-20 UNEF-2A	.719	18.3	1.021	25.9
12	.710 .700	18.0 17.8	.823	20.9	.665	16.9	.812	20.6	7/8-20 UNEF-2A	.812	20.6	1.114	28.3
19	.849 .839	21.6 21.3	.948	24.1	.790	20.1	.937	23.8	1-20 UNEF-2A	.906	23.0	1.208	30.7
27	1.004 .994	25.5 25.2	1.132	28.8	.869	22.1	.992	25.2	1 1/16-18 UNEF-2A	.968	24.6	1.302	33.1
37	1.126 1.116	28.6 28.3	1.261	32.0	.994	25.2	1.117	28.4	1 3/16-18 UNEF-2A	1.187	30.1	1.458	37.0
61	1.414 1.404	35.9 35.7	1.573	40.0	1.280	32.5	1.427	36.2	1 1/2-18 UNEF-2A	1.438	36.5	1.797	45.6