

806-073

Wall-Mount Receptacle (Pin Contacts)

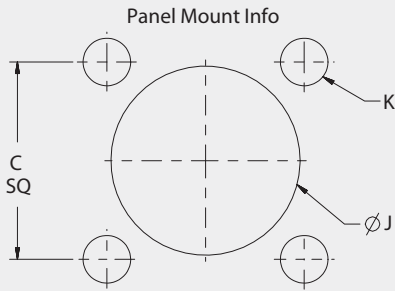


SERIES 806 MULTI-PIN RF CONNECTORS

PART NUMBER

		806-073	ME	24RF8	M	T	A
Base P/N	Series 806 RF Wall-Mt. Receptacle (Pin Connector Less Contacts)						
Material/ Finish	NF Alum/ Cad/O.D. over Electroless Nickel MT Alum/ Nickel-PTFE ME Alum/ Electroless Nickel ZR Alum/ Black Zinc-Nickel ZL SST/ Nickel Plating						
Insert Arrangement	(See 806-015 For Contact Arr)						
Shell Rear Style	M Metric Accessory Threads B Nano Band Platform						
Panel Mounting Hole Style	T Thru Hole C Clinch Nut, 4-40 Thd M45938/6-4c (For Rear Panel Mounting)						
Polarization	See Table III						

MOUNT INFO



Size	J	With Clinch Nut	Without Clinch Nut
8	0.505		
9	0.572		
10	0.640		
11	0.707		
12	0.762		0.128
14	0.885	0.128	
16	1.01		
18	1.12		
20	1.27		
22	1.395		0.154
24	1.520		

DIMENSIONS

Shell Size	A Max	B Thread	C	D Mating Thread	Ø E Thru Hole	F Max	G Max	Ø H
8	0.822	M10 X 1-6g-100R	0.531	.5000-.067P-.2L-TS-2A	0.128	0.100	1.040	0.327
9	0.885	M12 X 1-6g-100R	0.594	.5625-.067P-.2L-TS-2A			1.130	0.406
10	0.913	M14 X 1-6g-100R	0.625	.6250-.067P-.2L-TS-2A			1.174	0.484
11	0.960	M15 X 1-6g-100R	0.670	.6875-.067P-.2L-TS-2A			1.200	0.524
12	1.040	M17 X 1-6g-100R	0.765	.7500-.067P-.2L-TS-2A			1.354	0.603
14	1.133	M19 X 1-6g-100R	0.859	.8750-.067P-.2L-TS-2A			1.510	0.681
16	1.227	M22 X 1-6g-100R	0.938	1.000-.067P-.2L-TS-2A	1.620	0.782		
18	1.320	M25 X 1-6g-100R	1.016	1.1250-.067P-.2L-TS-2A	1.784	0.899		
20	1.444	M28 X 1-6g-100R	1.109	1.250-.067P-.2L-TS-2A	1.910	1.043		
22	1.570	M31 X 1-6g-100R	1.203	1.3750-.067P-.2L-TS-2A	0.154	0.125	2.083	1.155
24	1.696	M34 X 1-6g-100R	1.312	1.5000-.067P-.2L-TS-2A	2.200	1.273		

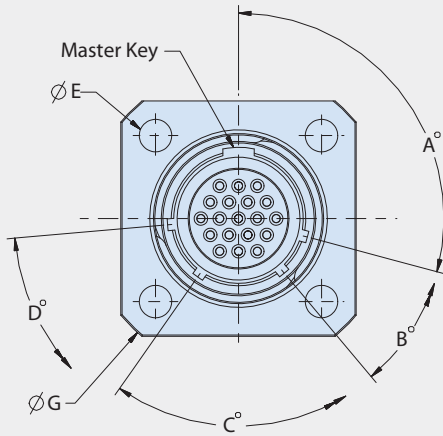
POLARIZATION KEY CODE TABLE III

POS	A	B	C	D
A	105	140	215	265
B	102	170	248	305
C	80	150	230	295
D	68	140	205	275
E	64	155	234	304
F	72	120	200	298

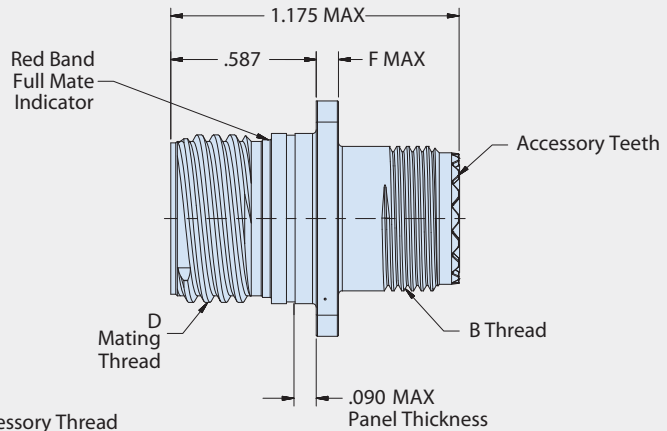
806-073
 Wall-Mount Receptacle (Pin Contacts)

SERIES 806 MULTI-PIN RF CONNECTORS

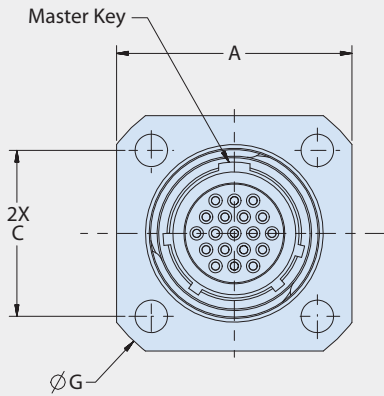
806-073 METRIC ACCESSORY THREAD



Metric Accessory Thread
 Scale 4:1



806-073 BAND PLATFORM



Band Platform
 Scale 4:1

