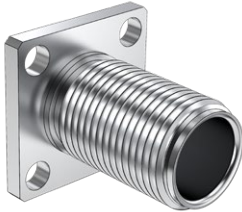


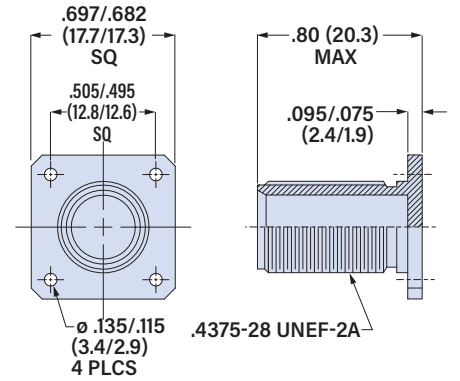
650-075
650-076

650-075 DUMMY RECEPTACLE FOR TNC COAX RF PLUGS

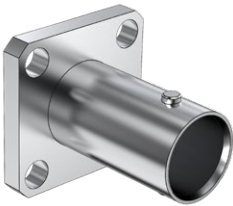


Use dummy stowage receptacle to secure and protect unused plugs. 650-075 receptacle accommodates M39012 Series TNC RF connectors. Aluminum, stainless steel or brass.

| PART NUMBER | |
|---------------------|-------------------------------------|
| Aluminum 6061-T6 | Electroless Nickel 650-075M |
| | Black Zinc-Nickel 650-075ZR |
| | Nickel-PTFE 650-075MT |
| | O. D. Cadmium 650-075NF |
| 303 SST | Passivate 650-075Z1 |
| | Electroless Nickel 650-075ZM |
| Brass | Electroless Nickel 650-075BM |
| | White Bronze 650-075WB |



650-076 DUMMY RECEPTACLE FOR BNC COAX RF PLUGS



Use dummy stowage receptacle to secure and protect unused plugs. 650-076 receptacle accommodates M39012 Series BNC RF connectors. Aluminum, stainless steel or brass.

| PART NUMBER | |
|---------------------|-------------------------------------|
| Aluminum 6061-T6 | Electroless Nickel 650-076M |
| | Black Zinc-Nickel 650-076ZR |
| | Nickel-PTFE 650-076MT |
| | O. D. Cadmium 650-076NF |
| 303 SST | Passivate 650-076Z1 |
| | Electroless Nickel 650-076ZM |
| Brass | Electroless Nickel 650-076BM |
| | White Bronze 650-076WB |

