

**650-075**  
**Dummy Storage Receptacle**  
**for MIL-PRF-39012 RF Coax Type TNC Connectors**

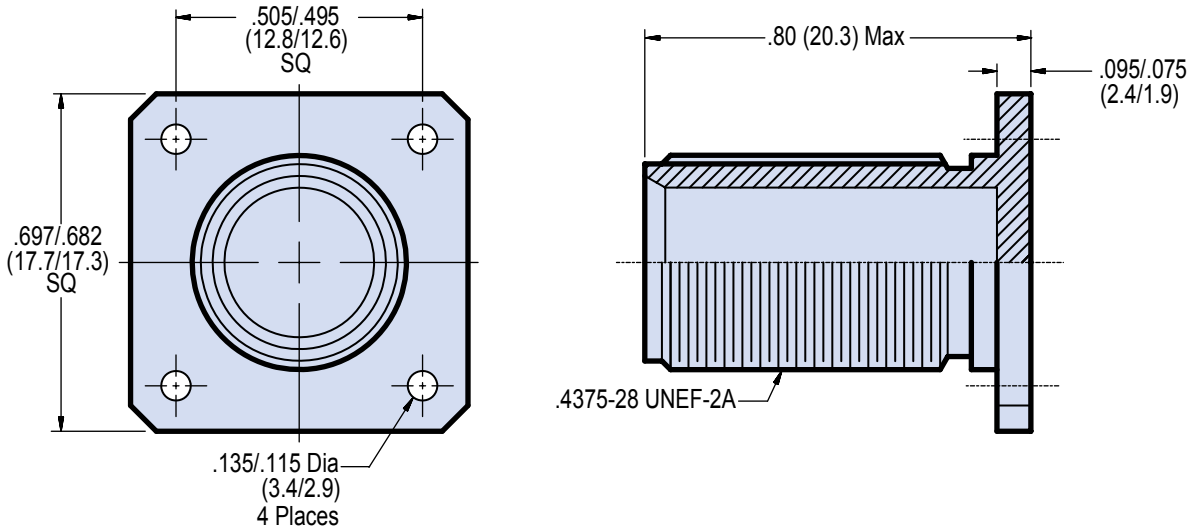
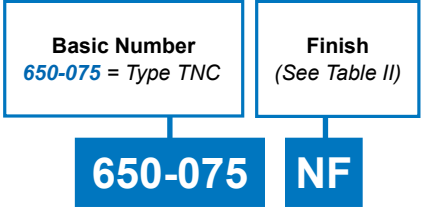


Table II: Materials and Finishes		
Code	Material	Finish
M	Aluminum Alloy 6061-T6	Electroless Nickel
MT		Nickel Fluoropolymer
NF		Cadmium, Olive Drab
ZR		Zinc-Nickel, Black
Z1	303 Stainless Steel	Passivate
BM	Brass	Brass - Electroless Nickel
WB		White Bronze (Non-Magnetic)

- APPLICATION NOTES**
1. Assembly identified with manufacturer's name and part number, space permitting.
  2. Material/Finish - See Table II.
  3. Metric dimensions (mm) are in parentheses.