



650-074 Dummy Stowage Receptacle for MIL-PRF-39012 RF Coax Type N Connectors

Basic Number 650-074 = Type N	Finish (See Table II)
650-074	NF

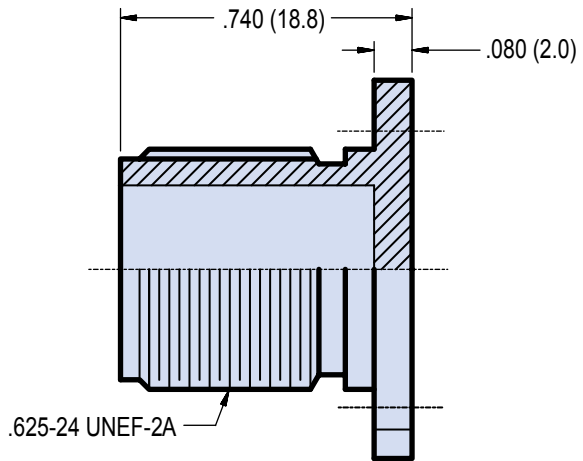
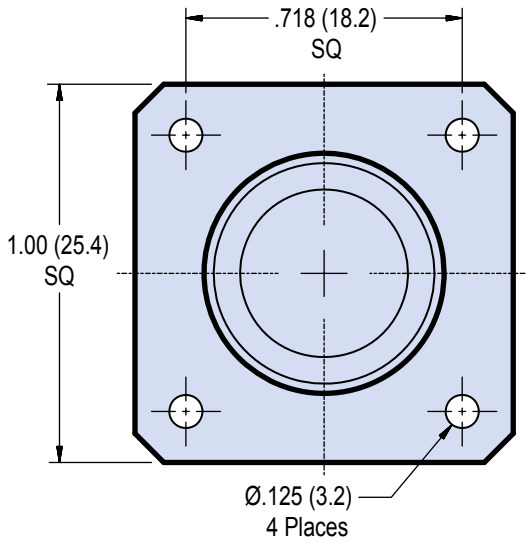


Table II: Materials and Finishes		
Code	Material	Finish
M	Aluminum Alloy 6061-T6	Electroless Nickel
MT		Nickel Fluoropolymer
NF		Cadmium, Olive Drab
ZR		Zinc-Nickel, Black
Z1	303 Stainless Steel	Passivate
BM	Brass	Brass - Electroless Nickel
WB		White Bronze (Non-Magnetic)

APPLICATION NOTES
1. Assembly identified with manufacturer's name and part number, space permitting.
2. Material/Finish - See Table II.
3. Metric dimensions (mm) are in parentheses.