



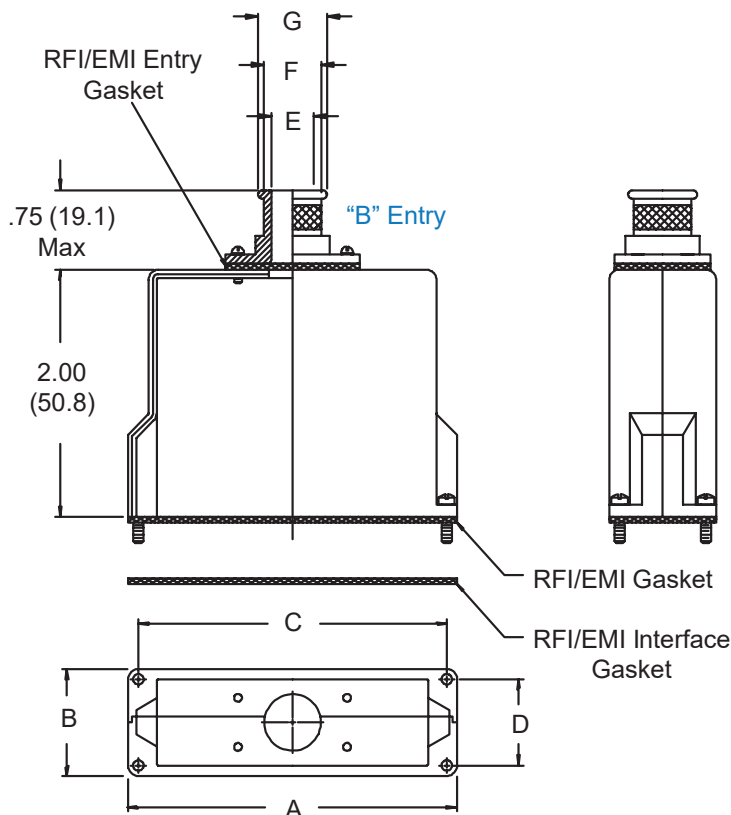
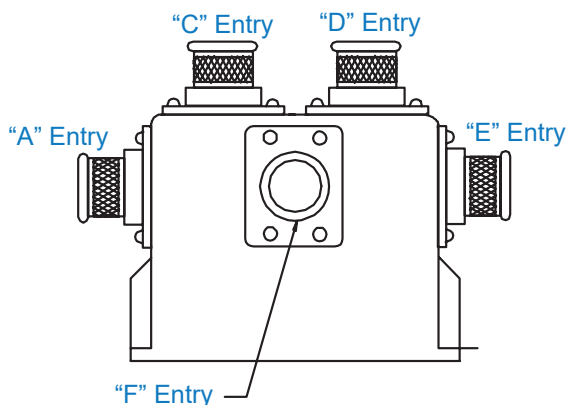
# 507-078 Split Banding Backshell for MIL-DTL-83733 Connectors

**507-078 M B A06 B03 E05 F04 B**

Basic Part No. \_\_\_\_\_  
 Finish (Table III) \_\_\_\_\_  
 Shell Size (Table I) \_\_\_\_\_

B = Band(s) Supplied 600-052, One Per Entry Location, Omit for None  
 Entry Location (A, B, C, D, E, F) and Dash No. (Table II) - See Note 2

1. Metric dimensions (mm) are indicated in parentheses.
2. When entry options "C" and/or "D" are selected, entry option "B" cannot be selected.
3. Material/Finish:  
 Backshell, Adapter, Clamp, Ferrule = Al Alloy/See Table III  
 Hardware = SST/Passivate



**TABLE I: DIMENSIONS**

Shell Size	A Dim	B Dim	C ±.005 (.1)	D ±.005 (.1)
A	2.095 (53.2)	1.000 (25.4)	1.895 (48.1)	.815 (20.7)
B	3.395 (86.2)	1.000 (25.4)	3.195 (81.2)	.815 (20.7)

**TABLE II: CABLE ENTRY**

Dash No.	E Dia	F Dia	G Dia
02	.250 (6.4)	.375 (9.5)	.438 (11.1)
03	.375 (9.5)	.500 (12.7)	.562 (14.3)
04	.500 (12.7)	.625 (15.9)	.688 (17.5)
05	.625 (15.9)	.750 (19.1)	.812 (20.6)
06	.750 (19.1)	.875 (22.2)	.938 (23.8)
07*	.875 (22.2)	1.000 (25.4)	1.062 (27.0)

\* Available in F entry only.

**TABLE III: FINISH OPTIONS**

Symbol	Finish
B	Cadmium Plate, Olive Drab
M	Electroless Nickel
N	Cadmium Plate, Olive Drab, Over Nickel
NF	Cadmium Plate, Olive Drab, Over Electroless Nickel (500 Hour Salt Spray)

**CONSULT FACTORY FOR  
OTHER AVAILABLE FINISHES**