

507-117

EMI/RFI Backshell

for MIL-DTL-81659 Connectors with D38999 Series III and IV
Shell Size 17 Accessory Threads



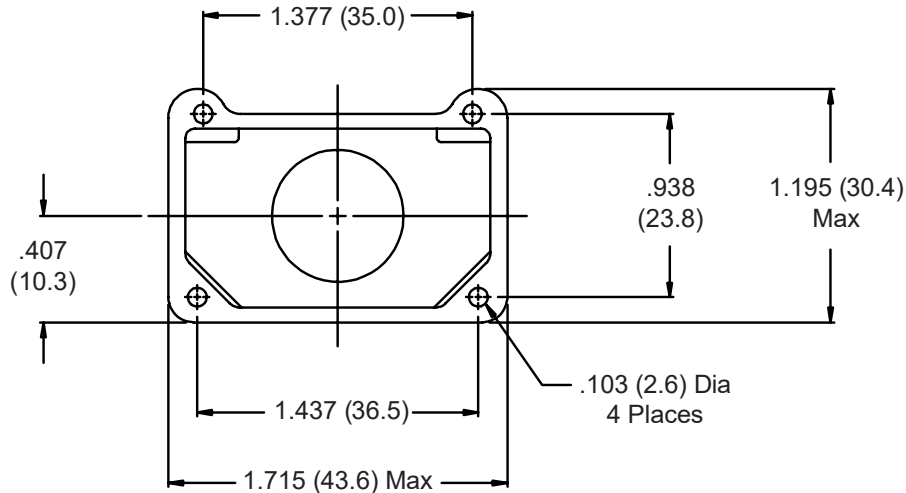
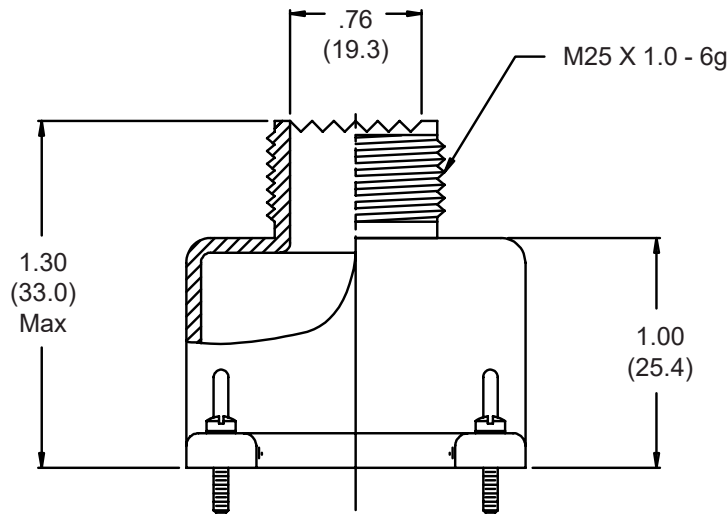
MIL-DTL-81659

507-117 NF

Basic Part No. _____

Finish _____

- B = Cadmium Plate/Olive Drab
- M = Electroless Nickel
- N = Cadmium Plate/Olive Drab over Nickel Plate
- NF = Cadmium Olive Drab over Electroless Nickel (1000 Hour Salt Spray)



1. Metric dimensions (mm) are indicated in parentheses.
2. For effective grounding, connector with conductive finish should be used.
3. Material/Finish:
Backshell = Al Alloy/Finish Per Option
Hardware = Cres/Passivate