

507-002 Qwik-Ty® for MIL-DTL-81659 Connectors

507-002 L H

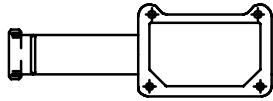
Basic Part No. _____

Angular Functions _____

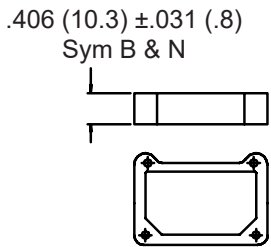
A = Angle Mount Right
 B = Back Mount
 C = Angle Mount Left
 D = 90° Back Mount
 L = Left Mount
 N = None (Base Only)
 R = Right Mount

H = Hardware Supplied,
 Omit for None

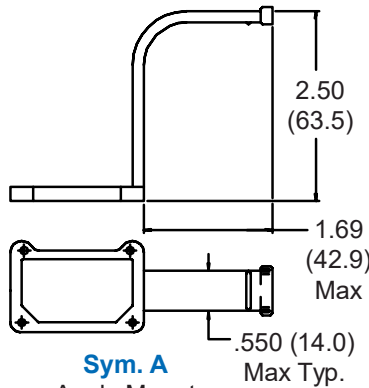
1. Metric dimensions (mm) are indicated in parentheses.
2. Material - Al Alloy
 Finish - Black Anodize
 Hardware = Cres/Passivate



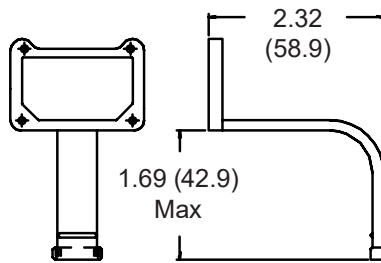
Sym. C
Angle Mount Qwik-Ty®



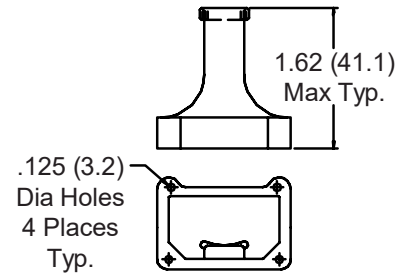
Sym. N
Base Only



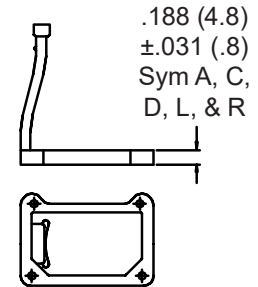
Sym. A
Angle Mount
Qwik-Ty® Right



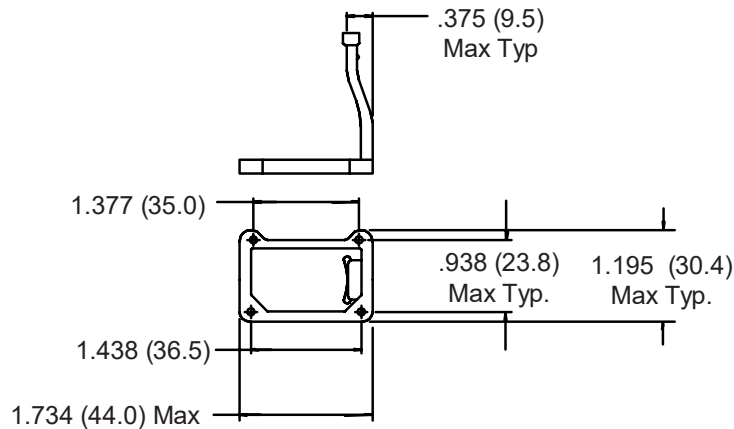
Sym. D
90° Back Mount Qwik-Ty®



Sym. B
Back Mount Qwik-Ty®



Sym. L
Left Mount Qwik-Ty®



Sym. R
Right Mount Qwik-Ty®