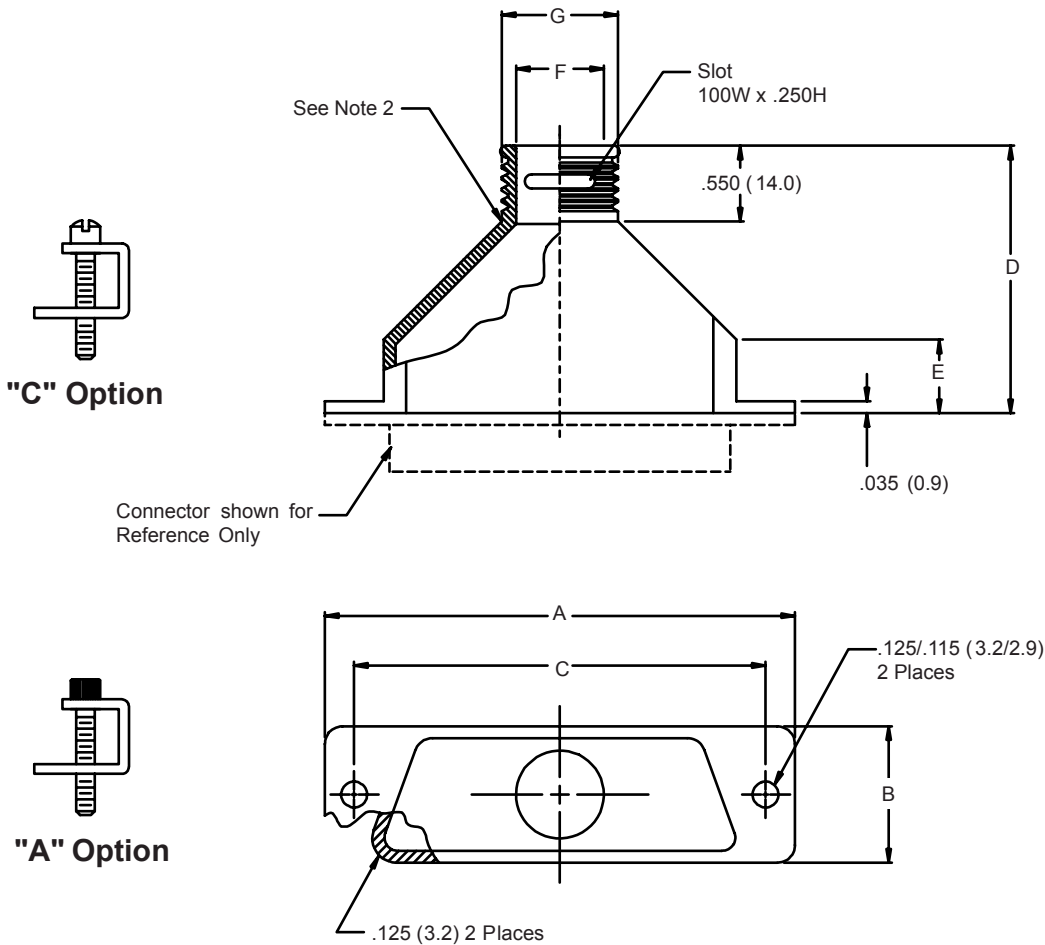
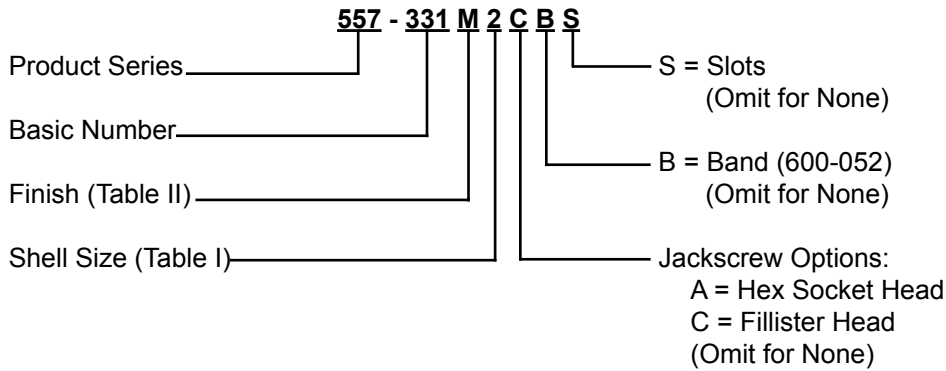


557-331 EMI/RFI Banding Backshell Assembly for MIL-C-24308 Connectors



NOTES:

1. Metric dimensions (mm) are indicated in parentheses.
2. End Fitting may be brazed on per MIL-B-7883B, Type V, Grade B.

557-331
EMI/RFI Banding Backshell Assembly
for MIL-C-24308 Connectors



MIL-DTL-24308
D-Subminiature

TABLE I: BACKSHELL & CONNECTOR INTERFACE DIMS & CABLE ENTRY

Shell Size	A	B ±.020 (0.5)	C ±.005 (0.1)	D ±.030 (0.8)	E	F ±.010 (0.3)	G ±.015 (0.4)	No. of Slots
1	1.203 (30.6)	.500 (12.7)	.984 (25.0)	1.190 (30.2)	.440 (11.2)	.270 (6.9)	.350 (8.9)	1
2	1.531 (38.9)	.500 (12.7)	1.312 (33.3)	1.270 (32.3)	.440 (11.2)	.395 (10.0)	.475 (12.1)	1
3	2.078 (52.8)	.500 (12.7)	1.852 (47.0)	1.550 (39.4)	.500 (12.7)	.420 (10.7)	.500 (12.7)	2
4	2.718 (69.0)	.500 (12.7)	2.500 (63.5)	1.690 (42.9)	.500 (12.7)	.420 (10.7)	.500 (12.7)	2
5	2.625 (66.7)	.609 (15.5)	2.406 (61.1)	1.670 (42.4)	.440 (11.2)	.529 (13.4)	.609 (15.5)	2
6	2.718 (69.0)	.670 (17.0)	2.500 (63.5)	1.690 (42.9)	.500 (12.7)	.573 (14.6)	.653 (16.6)	2

**TABLE III:
FINISH OPTIONS**

Symbol	Finish
B	Cadmium Plate/Olive Drab
C*	Black Anodize
G*	Anodic Hard Coat
J	Gold Iridite over Cadmium Plate over Electroless Nickel
LF	Cadmium Plate/Bright over Electroless Nickel
M	Electroless Nickel
N	Cadmium Plate/Olive Drab over Electroless Nickel
NC	Zinc Cobalt/Dark Olive Drab
NF	Cadmium Plate/Olive Drab over Electroless Nickel
T	Cadmium Plate/Bright over Electroless Nickel
U**	Cadmium Plate/Black
ZN	Zinc-Nickel Alloy/Olive Drab

*Anodize finish is not suitable for EMI shielding or grounding applications.
 **Applicable to corrosion resisting steel backshells and accessories. Consult factory for other available finishes.

Metric dimensions (mm) are indicated in parentheses