



# 557-102 and 557-103 D-Subminiature 45° Entry Light-Weight Solid Banding Backshell

**557-102 M 2-03 C B**

Basic Part No. \_\_\_\_\_  
557-102 or 557-103

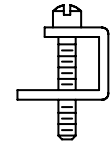
Finish Symbol (Page 3) \_\_\_\_\_

Shell Size (Table I) \_\_\_\_\_

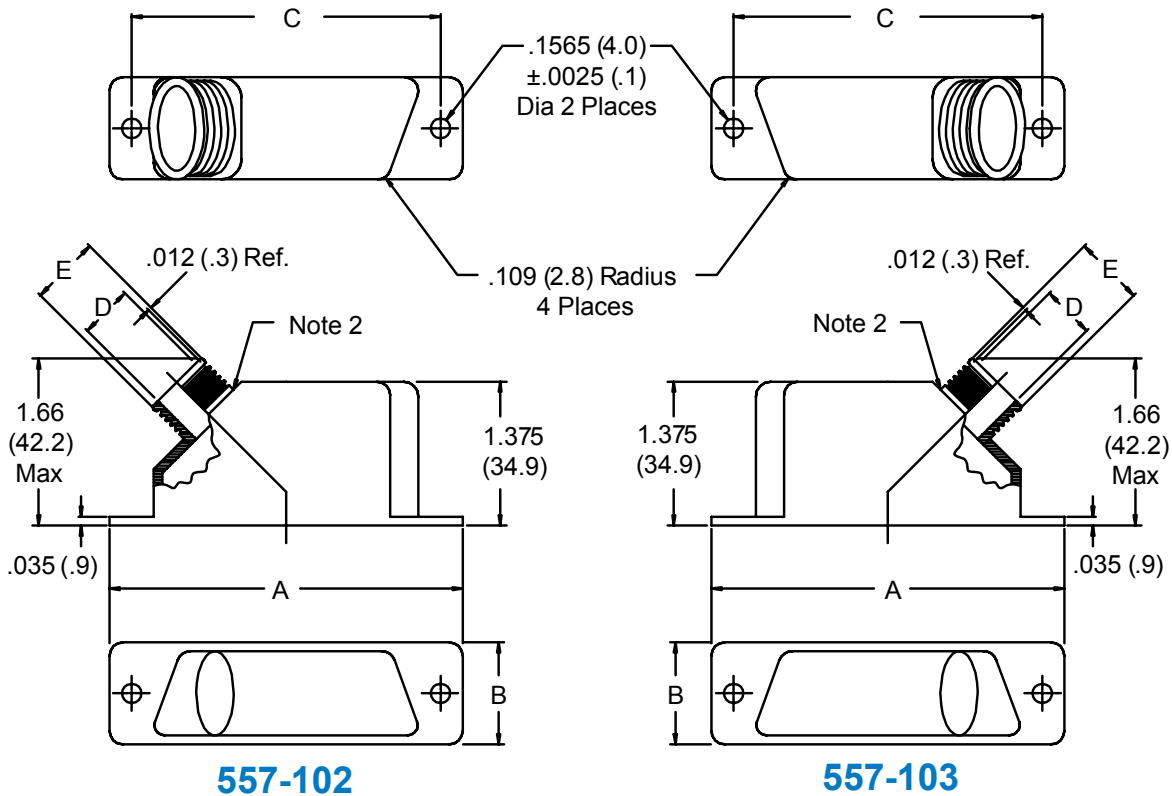
\_\_\_\_\_ B = Band Supplied (600-057),  
Omit for None

\_\_\_\_\_ C = Supplied with Retainer  
Clips and Jackscrews  
(Omit for None)

\_\_\_\_\_ Cable Entry (Table II)



**"C" Retainer  
Clip Option**



**557-102**

**557-103**

**Table I: Shell Size and  
Connector Interface Dimensions**

Shell Size	A	B	C
			$\pm .005$ (.1)
1	1.203 (30.6)	.500 (12.7)	.984 (25.0)
2	1.531 (38.9)	.500 (12.7)	1.312 (33.3)
3	2.078 (52.8)	.500 (12.7)	1.852 (47.0)
4	2.718 (69.0)	.500 (12.7)	2.500 (63.5)
5	2.625 (66.7)	.609 (15.5)	2.406 (61.1)
6	2.718 (69.0)	.668 (17.0)	2.500 (63.5)

1. Metric dimensions (mm) are indicated in parentheses.
2. End Fitting may be brazed on per MIL-B-7883B, Type V, Grade B

**Table II: Cable Entry**

Entry Size	D	E
02	.125 (3.2)	.205 (5.2)
03	.187 (4.7)	.267 (6.8)
04	.250 (6.4)	.330 (8.4)
05	.312 (7.9)	.392 (10.0)
06	.375 (9.5)	.455 (11.6)
07	.437 (11.1)	.517 (13.1)
08	.500 (12.7)	.580 (14.7)
09	.529 (13.4)	.609 (15.5)
10	.290 (7.4)	.370 (9.4)
11	.595 (15.1)	.675 (17.2)
12	.270 (6.9)	.350 (8.9)