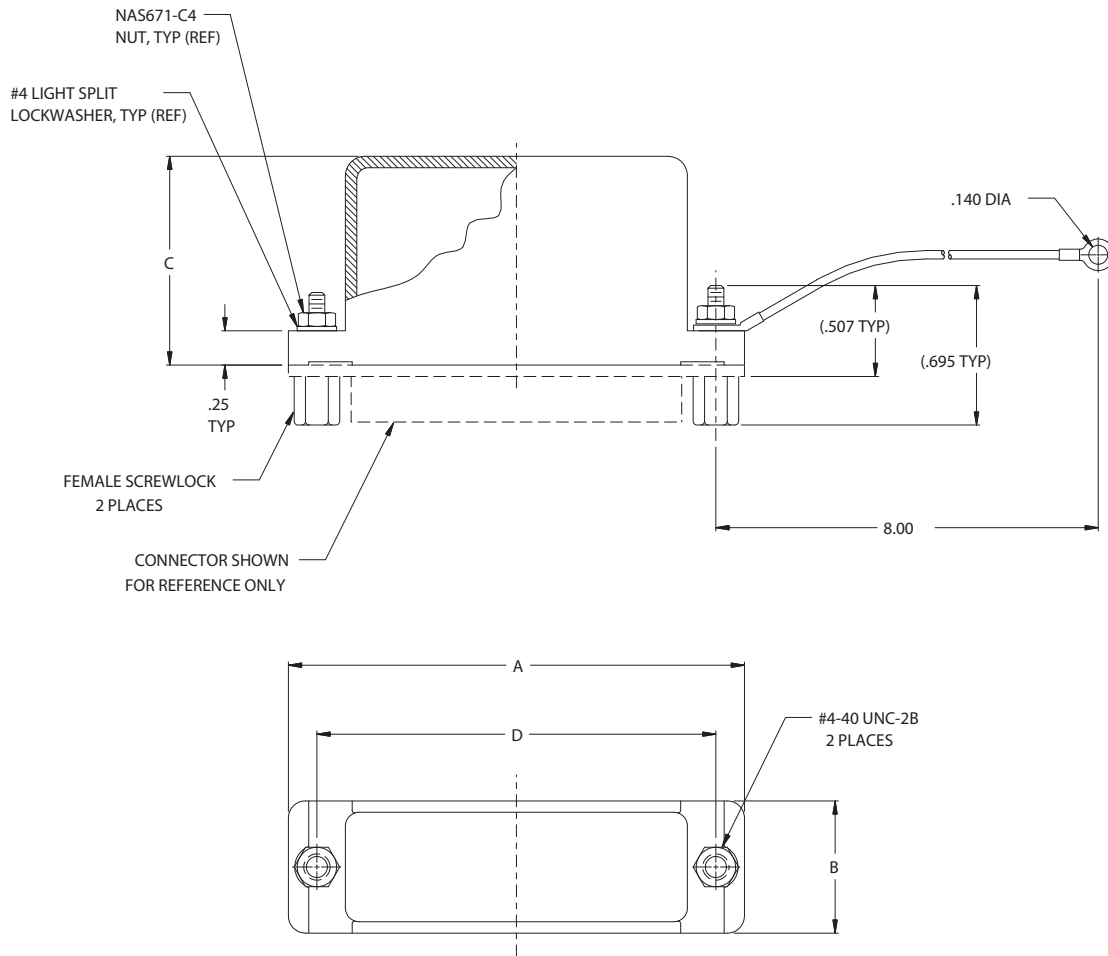




557-083 D-Subminiature Shorting Cap Solid Backshell

557-083 M 2

Basic Part No. _____
Finish Symbol (Table III) _____
Shell Size (Table I) _____



557-083
D-Subminiature
Shorting Cap Solid Backshell



MIL-DTL-24308
D-Subminiature

TABLE I: SHELL SIZE & BACKSHELL DIMENSIONS

Shell Size	A Max	B	C	D ±.005 (.1)
1	1.25 (31.8)	.53 (13.5)	.75 (19.1)	.984 (25.0)
2	1.58 (40.1)	.53 (13.5)	.75 (19.1)	1.312 (33.3)
3	2.13 (54.1)	.53 (13.5)	1.00 (25.4)	1.852 (47.0)
4	2.77 (70.4)	.53 (13.5)	1.00 (25.4)	2.500 (63.5)
5	2.68 (68.1)	.66 (16.8)	1.25 (31.8)	2.406 (61.1)
6	2.77 (70.4)	.73 (18.5)	1.25 (31.8)	2.500 (63.5)

**TABLE III:
FINISH OPTIONS**

Symbol	Finish
B	Cadmium Plate/Olive Drab
E	Iridite/Gold
M	Electroless Nickel
N	Cadmium Plate/Olive Drab Over Nickel Plate
NF	Cad/O.D. Over Electroless Nickel (1000 Hour Salt Spray)
S	Green Anodize
Z2	Gold Plate

Material/Finish:
Shorting Cap - Al Alloy/See Table III
Hardware - CRES/Passivate
Wire Rope - PVC-Covered CRES