



550-048 D-Subminiature Split Tinel-Lock™ Banding Backshell

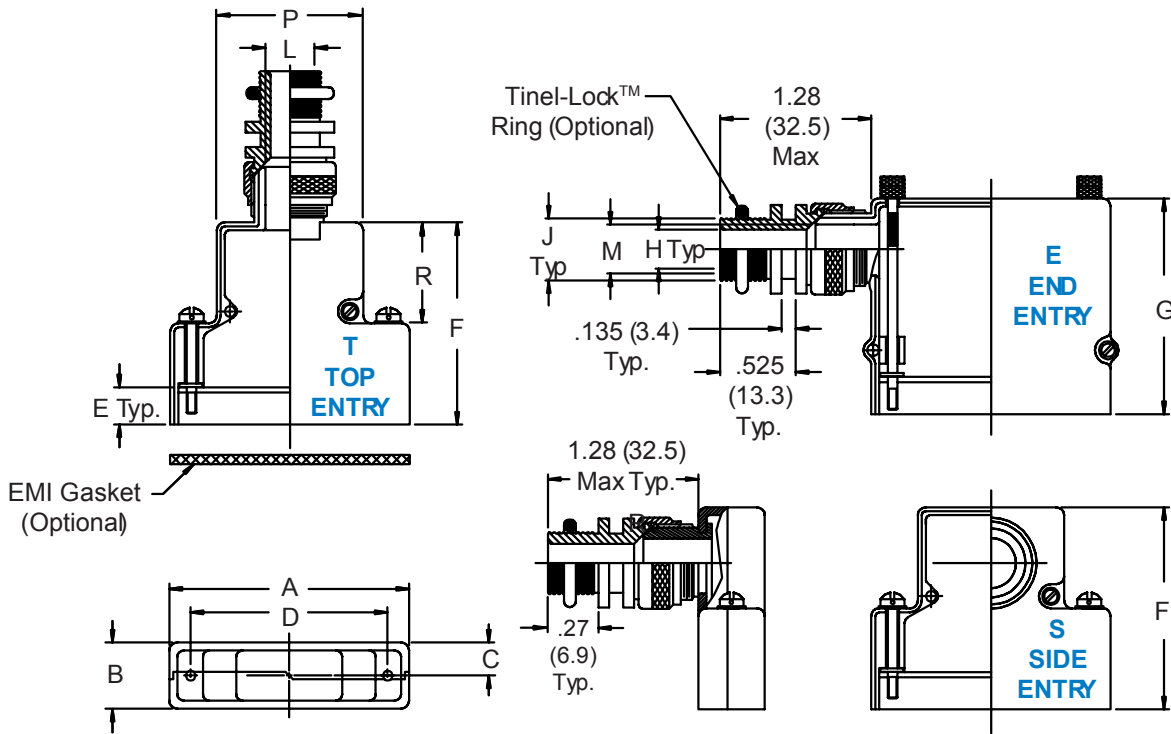
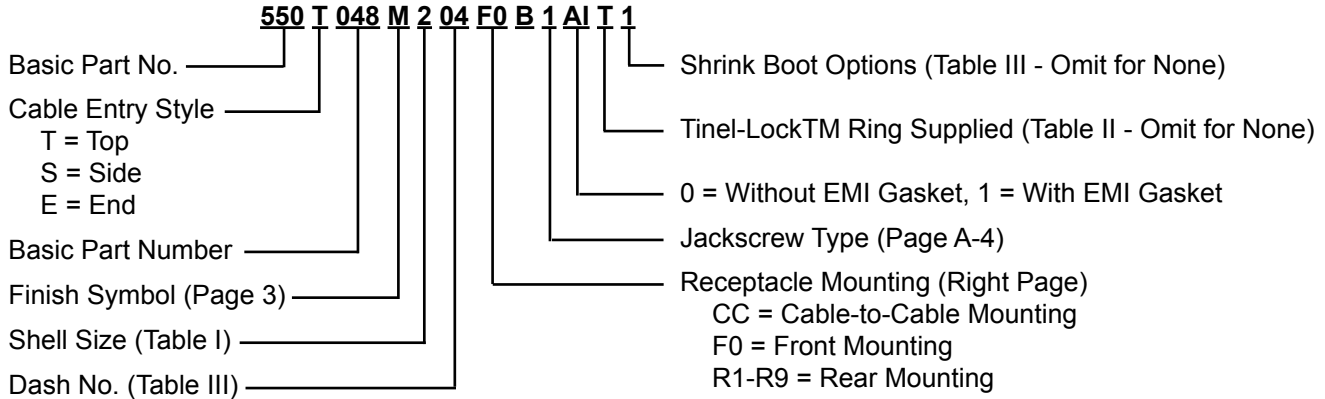


TABLE I: SHELL SIZE & ENTRY STYLE

Com'l Shell Size	Shell Ref	L Dia Style T Shell I.D.	M Dia Style E Shell I.D.	Max Entry Dash No. (Table III)
1	E/09	.250 (6.4)	.375 (9.5)	01
2	A/15	.375 (9.5)	.375 (9.5)	03
3	B/25	.475 (12.1)	.475 (12.1)	04
4	C/37	.475 (12.1)	.475 (12.1)	04
5	D/50	.575 (14.6)	.575 (14.6)	05
6	F/104	1.000 (25.4)	1.000 (25.4)	09

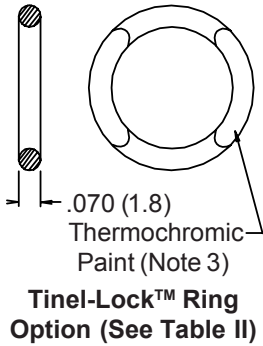


TABLE II: BRAID & RING

Braid Type	Ring Desig.
Single Layer 36 AWG	AI
Single Layer 34 AWG	AI
Single Layer 32 AWG	BI
Single Layer 30 AWG	BI
Double Layer 36 AWG	BI
Double Layer 34 AWG	BI
Double Layer 32 AWG	CI

550-048
D-Subminiature Split
Tinel-Lock™ Banding Backshell



TABLE III: SHRINK BOOT

Dash No.	H Dia	J Dia Max	Shrink Boot Option T1*	Shrink Boot Option T2*	Tinel-Lock™ Ring Entry Size
01	.250 (6.4)	.375 (9.5)	202K121-25-0	202K121-100-0	04
02	.312 (7.9)	.437 (11.1)	202K132-25-0	202K132-100-0	05
03	.375 (9.5)	.500 (12.7)	202K132-25-0	202K132-100-0	06
04	.438 (11.1)	.562 (14.3)	202K142-25-0	202K142-100-0	07
05	.500 (12.7)	.625 (15.9)	202K142-25-0	202K142-100-0	08
06	.625 (15.9)	.750 (19.1)	202K153-25-0	202K153-100-0	10
07	.750 (19.1)	.875 (22.2)	202K153-25-0	202K153-100-0	12
08	.875 (22.2)	1.000 (25.4)	202K163-25-0	202K163-100-0	14
09	1.000 (25.4)	1.125 (28.6)	202K163-25-0	202K163-100-0	16

1. Metric dimensions (mm) are indicated in parentheses.
2. **DO NOT USE CONNECTORS WITH FLOAT MOUNTINGS.**
3. The Tinel-Lock™ Ring designator must be specified according to the type of cable braid used. Tinel-Lock™ Rings are marked with thermochromic paint which changes color when the correct installation temperature is reached. BI rings are identified with a red spot. CI rings are identified with a blue spot.

- * Raychem Shrink Boot and Epoxy/Polyamide Two Part Adhesive Paste (S1125) Supplied with "T1" Option (See Part Number Development)
- ** Raychem Shrink Boot and Hot-Melt/Polyolyfin Adhesive Supplied with "T2" Option (See Part Number Development) - This is a Halogen Free System

COMMON BACKSHELL DIMENSIONS

Shell Size	Com'l Shell Size Ref	A Max	B Max	C Ref.	D ±.005 (.1)	P	R Ref
1	E/09	1.393 (35.4)	.624 (15.8)	.312 (7.9)	.984 (25.0)	.730 (18.5)	.719 (18.3)
2	A/15	1.706 (43.3)	.624 (15.8)	.312 (7.9)	1.312 (33.3)	1.050 (26.7)	.719 (18.3)
3	B/25	2.265 (57.5)	.624 (15.8)	.312 (7.9)	1.852 (47.0)	1.594 (40.5)	.938 (23.8)
4	C/37	2.900 (73.7)	.624 (15.8)	.312 (7.9)	2.500 (63.5)	2.240 (56.9)	.938 (23.8)
5	D/50	2.800 (71.1)	.750 (19.1)	.375 (9.5)	2.406 (61.1)	2.140 (54.4)	.938 (23.8)
6	F/104	2.900 (73.7)	.844 (21.4)	.422 (10.7)	2.500 (63.5)	2.240 (56.9)	1.094 (27.8)

CABLE MOUNTING DIMENSIONS

Dash No.	Panel Thickness	E	F ± .031 (0.79)			G ± .031 (0.79)	
			Sizes 1 & 2	Sizes 3 - 5	Size 6	Sizes 1 & 2	Sizes 3 - 5
CC	n/a	.174 (4.4)	1.451 (36.9)	1.671 (42.4)	1.820 (50.8)	1.583 (40.2)	1.831 (46.5)
F0	n/a	.343 (8.7)	1.625 (41.3)	1.844 (46.8)	2.000 (50.8)	1.750 (44.5)	1.831 (46.5)
R1	.031 (.8)	.247 (6.3)	1.525 (38.7)	1.745 (44.3)	1.890 (48.0)	1.656 (42.1)	2.000 (50.8)
R2	.047 (1.2)	.231 (5.9)	1.509 (38.3)	1.728 (43.9)	1.875 (47.6)	1.640 (41.7)	1.904 (48.4)
R3	.062 (1.6)	.216 (5.5)	1.500 (38.1)	1.720 (43.7)	1.860 (47.2)	1.625 (41.3)	1.888 (48.0)
R4	.093 (2.4)	.185 (4.7)	1.470 (37.3)	1.690 (42.9)	1.829 (46.5)	1.594 (40.5)	1.873 (47.6)
R5	.104 (2.6)	.174 (4.4)	1.451 (36.9)	1.671 (42.4)	1.820 (46.2)	1.583 (40.2)	1.842 (46.8)
R6	.125 (3.2)	.153 (3.9)	1.430 (36.3)	1.650 (41.9)	1.798 (45.7)	1.563 (39.7)	1.831 (46.5)
R7	.156 (4.0)	.125 (3.2)	1.400 (35.6)	1.620 (41.1)	1.767 (44.9)	1.531 (38.9)	1.811 (46.0)
R8	.135 (3.4)	.140 (3.6)	1.417 (36.0)	1.637 (41.6)	1.805 (45.8)	1.550 (39.4)	1.781 (45.2)
R9	.188 (4.8)	.094 (2.4)	1.368 (34.7)	1.590 (40.4)	1.740 (44.2)	1.500 (38.1)	1.798 (45.7)