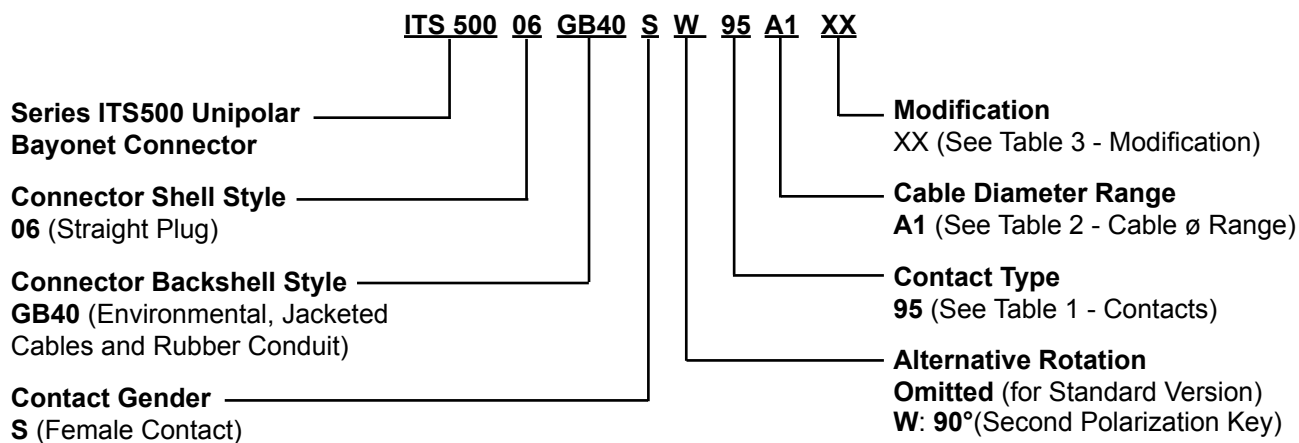


ITS 500 06 Series
Straight Cylindrical Plug
Assembly for Jacketed Cables and Rubber Conduit



Application Notes:

- Straight cylindrical plug with backshell for jacketed cable and rubber conduit, blocked with stainless clamping band not supplied with connector. RoHS Compliant.
- Working voltage: 3000 Vcc. Test voltage: 12000 Vcc (1 min.).
- Water proof : IP67 level (coupled connectors).
- Contact resistance: 0.2 mOhm Max
- Temperature range: -55 +125°C.
- Contact: copper alloy with silver plating.
- Insulator: black thermoplastic resin according with UL94V0-NFF16-102:I2F1 (Exigency 4).
- Shells: Aluminium alloy with electrodeposited black paint.

**ITS 500 06 Series
Straight Cylindrical Plug
Assembly for Jacketed Cables and Rubber Conduit**

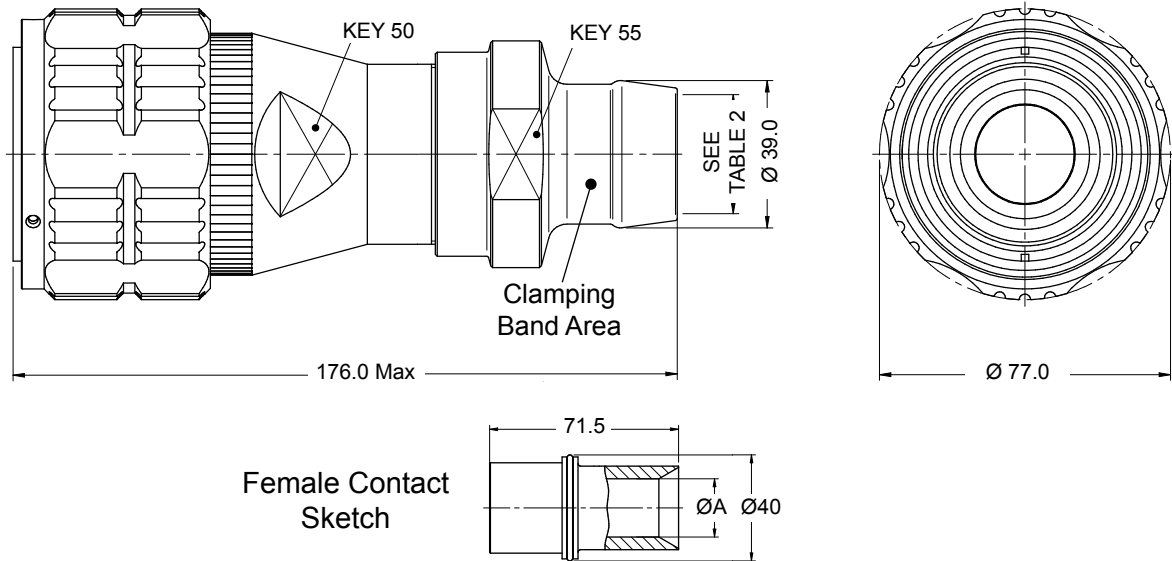


TABLE 1 - CONTACTS

| Contact Type | Contact Gender | Contact P/N | Cable AWG * | Cable Section (mmq) | Working Current (A) ** | Max Current (A) ** | Conductor Min. Ø (mm) | Conductor Max Ø (mm) | Crimp Bucket - ØA - (mm) |
|--------------|----------------|------------------|-------------|---------------------|------------------------|--------------------|-----------------------|----------------------|--------------------------|
| 95 | Female | ITS 500-1420SG10 | 3/0 | 95 | 350 | 400 | 12.5 | 14.0 | 14.2 |
| 120 | Female | ITS500-1600SG10 | - | 120 | 450 | 500 | 14.2 | 15.5 | 16.0 |
| 262 MCM | Female | ITS500-1750SG10 | 262 MCM | - | 450 | 520 | 15.8 | 16.5 | 17.5 |
| 150 | Female | ITS500-1750SG10 | - | 150 | 550 | 630 | 15.8 | 16.5 | 17.5 |
| 444 MCM | Female | ITS500-2200SG10 | 444 MCM | - | 640 | 735 | 19.6 | 21.1 | 22.0 |
| 240 | Female | ITS500-2200SG10 | - | 240 | 750 | 800 | 19.6 | 21.1 | 22.0 |
| 535 MCM | Female | ITS500-2680SG10 | 535 MCM | - | 750 | 800 | 21.0 | 24.5 | 26.8 |

* For different cable dimensions, please contact the factory.

** Related to cables ampacity.

TABLE 2 - CABLE Ø RANGE

| Cable Range Code | Min. Cable Ø | Max Cable Ø |
|------------------|--------------|-------------|
| A1 | 13 | 23 |
| A2 | 19 | 29 |
| A3 | 26 | 32 |

TABLE 3 - MODIFICATION CODES

| Name | Modification |
|---------|--|
| Omitted | Standard |
| B0 | Connector Less Contacts |
| F7 | Conductive Black Plating |
| K1 | Stainless Receptacle |
| K2 | Stainless Plug Shell for Straight Plug |