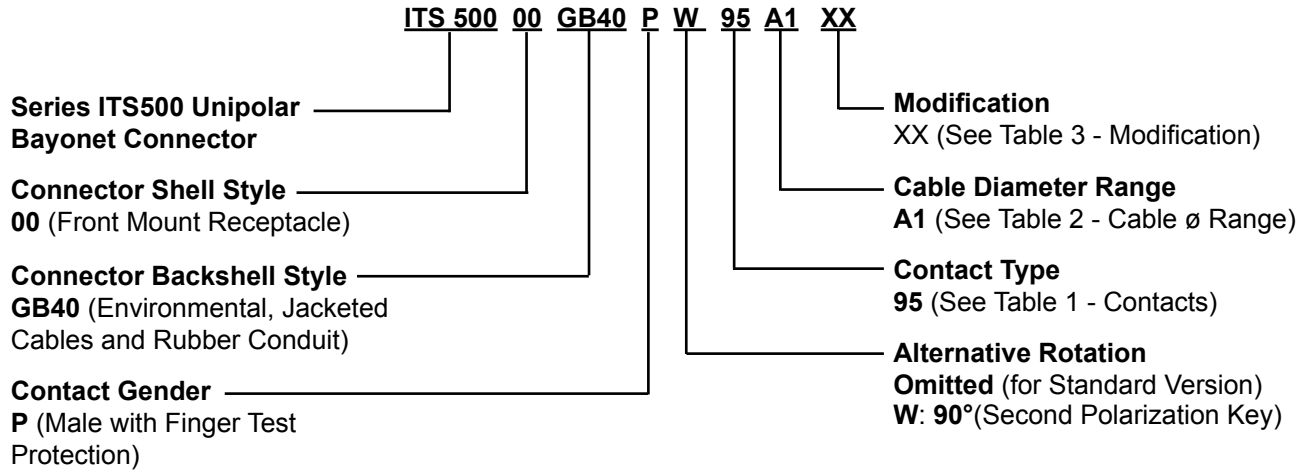


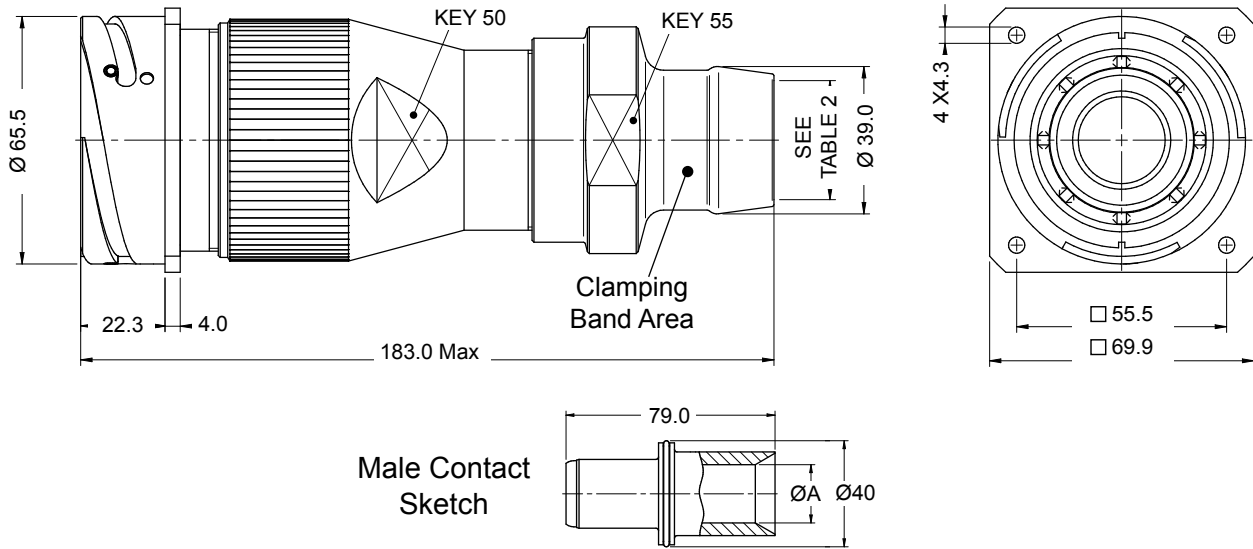
**ITS 500 00 Series**  
**Front Panel Mount Square Flange Receptacle**  
**Assembly for Jacketed Cables and Rubber Conduit**



**Application Notes:**

- Front mount receptacle with backshell for jacketed cable and rubber conduit, blocked with stainless clamping band not supplied with connector. RoHS Compliant.
- Working voltage: 3000 Vcc. Test voltage: 12000 Vcc (1 min.).
- Water proof : IP67 level (coupled connectors).
- Contact resistance: 0.2 mOhm Max
- Temperature range: -55 +125°C.
- Contact: copper alloy with silver plating.
- Insulator: black thermoplastic resin according with UL94V0-NFF16-102:I2F1 (Exigency 4).
- Shells: Aluminium alloy with electrodeposited black paint.

**ITS 500 00 Series**  
**Front Panel Mount Square Flange Receptacle**  
**Assembly for Jacketed Cables and Rubber Conduit**



**TABLE 1 - CONTACTS**

| Contact Type | Contact Gender | Contact P/N      | Cable AWG * | Cable Section (mmq) | Working Current (A) ** | Max Current (A) ** | Conductor Min. Ø (mm) | Conductor Max Ø (mm) | Crimp Bucket - ØA - (mm) |
|--------------|----------------|------------------|-------------|---------------------|------------------------|--------------------|-----------------------|----------------------|--------------------------|
| 95           | Male           | ITS 500-1420PG10 | 3/0         | 95                  | 350                    | 400                | 12.5                  | 14.0                 | 14.2                     |
| 120          | Male           | ITS500-1600PG10  | -           | 120                 | 450                    | 500                | 14.2                  | 15.5                 | 16.0                     |
| 262 MCM      | Male           | ITS500-1750PG10  | 262 MCM     | -                   | 450                    | 520                | 15.8                  | 16.5                 | 17.5                     |
| 150          | Male           | ITS500-1750PG10  | -           | 150                 | 550                    | 630                | 15.8                  | 16.5                 | 17.5                     |
| 444 MCM      | Male           | ITS500-2200PG10  | 444 MCM     | -                   | 640                    | 735                | 19.6                  | 21.1                 | 22.0                     |
| 240          | Male           | ITS500-2200PG10  | -           | 240                 | 750                    | 800                | 19.6                  | 21.1                 | 22.0                     |
| 535 MCM      | Male           | ITS500-2680PG10  | 535 MCM     | -                   | 750                    | 800                | 21.0                  | 24.5                 | 26.8                     |

\* For different cable dimensions, please contact the factory.

\*\* Related to cables ampacity.

**TABLE 2 - CABLE Ø RANGE**

| Cable Range Code | Min. Cable Ø | Max Cable Ø |
|------------------|--------------|-------------|
| A1               | 13           | 23          |
| A2               | 19           | 29          |
| A3               | 26           | 32          |

**TABLE 3 - MODIFICATION CODES**

| Name    | Modification                           |
|---------|--|
| Omitted | Standard                               |
| B0      | Connector Less Contacts                |
| F7      | Conductive Black Plating               |
| K1      | Stainless Receptacle                   |
| K2      | Stainless Plug Shell for Straight Plug |