

HOW TO ORDER	
<b>Sample Part Number</b>	970-038 -H2 Z1 32 -5 P 2 -1
<b>Basic Number</b>	970-038 Crimp Removable Receptacle
<b>Mounting</b>	H2 = Wall Mount H7 = Jam-Nut Mount
<b>Finish</b>	Z1 = Stainless steel, passivate ZL = Stainless steel, electrodeposited nickel
<b>Shell Size</b>	See Dimensions Table
<b>Contact Arrangement</b>	See Insert Arrangements Table
<b>Contact Style</b>	P = Pin face S = Socket face
<b>Contact Plating</b>	1 = Silver (0, 4, 8 only) 2 = Gold
<b>Polarization</b>	1, 2, 3, 4, 5, 6 See Key Positions table

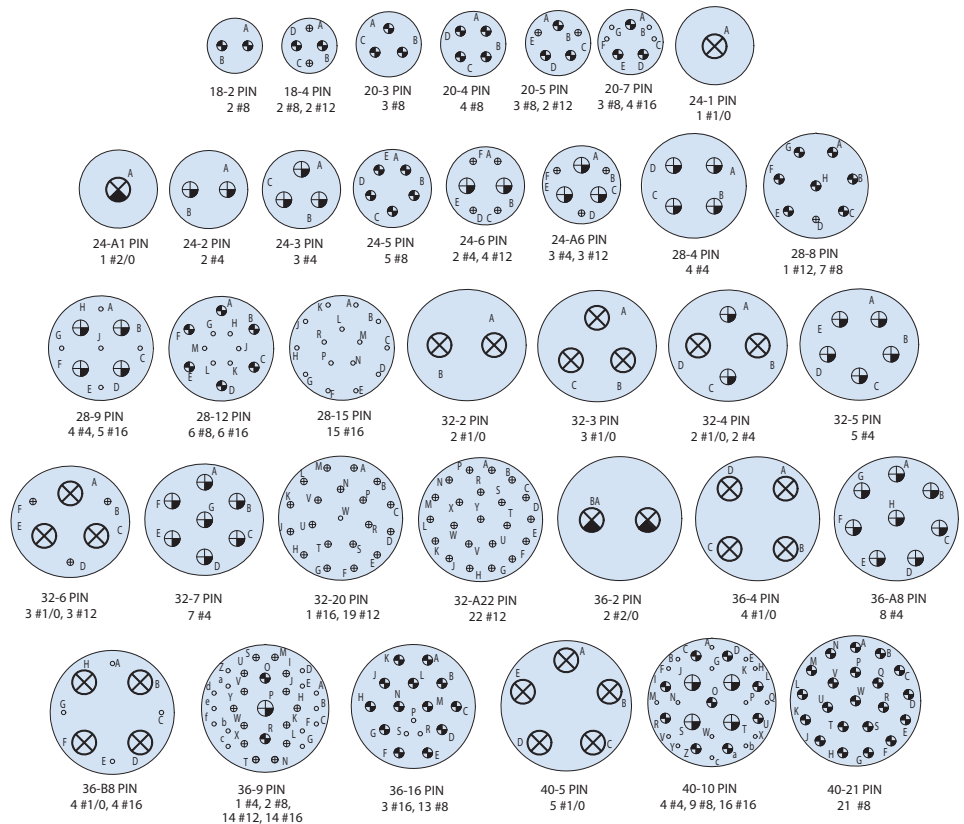
**MATERIAL AND FINISH**

- Shell - Stainless steel, passivate; stainless steel, electrodeposited nickel
- Insulator, Hermetic - Glass
- Insulator, Sockets - Rigid Dielectric
- Contacts, Hermetic - Iron-Nickel Alloy
- Contacts, Sockets - Copper Alloy
- Seals - Fluorosilicone

**NOTES**

- Performance Characteristics:
  - Hermeticity: <math>< 1 \times 10^{-7}</math> sccHe/sec @ 1 ATM. differential
  - D.W.V.: 2000 VAC pin-to-pin and pin-to shell w/o breakdown
  - I. R.: 5000 MEGOHMS min
  - Current Rating: See Max Current Rating table

**INSERT ARRANGEMENTS**

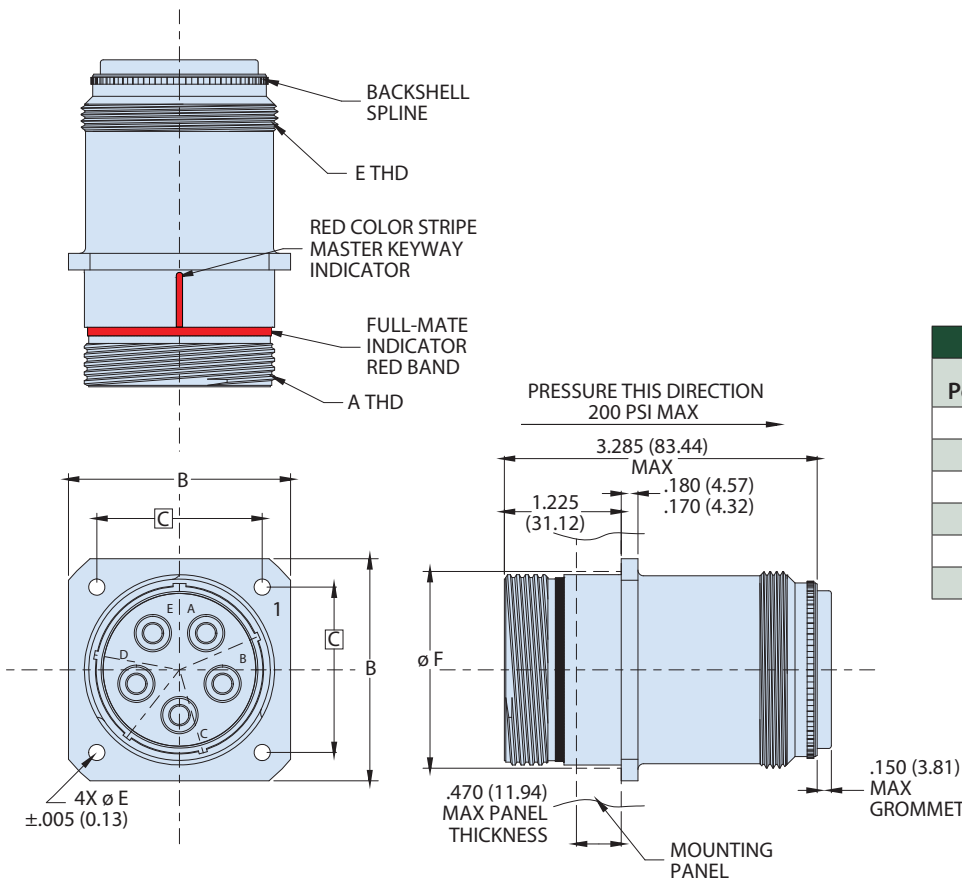


MAX CURRENT RATING	
Contact Size	Max Current
16	10
12	17
8	33
4	60
1/0	125

Connectors and Accessories

970-038 Hermetic Crimp Removable Receptacle

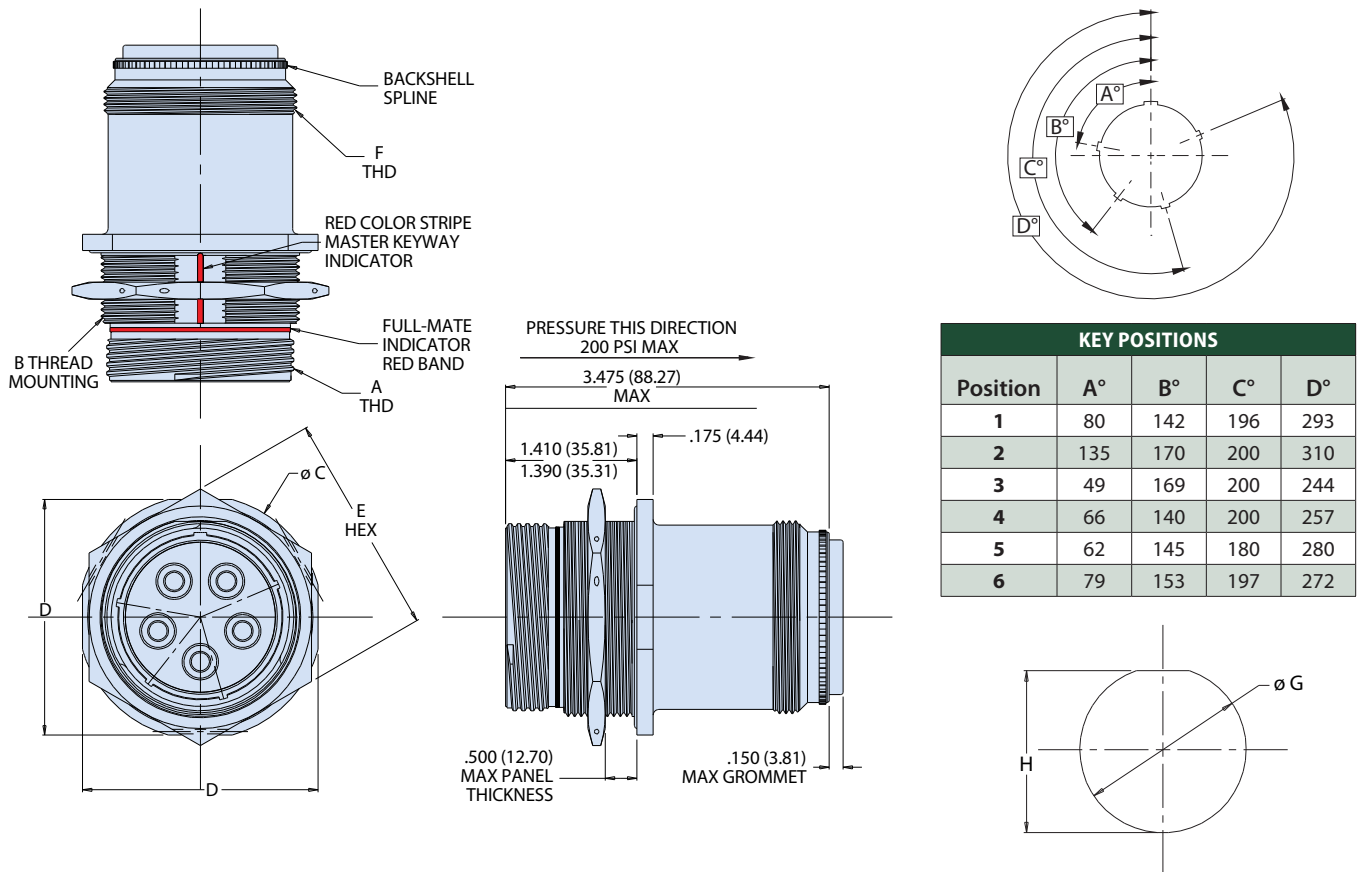
970-038-H2 HERMETIC WALL MOUNT



KEY POSITIONS				
Position	A°	B°	C°	D°
1	80	142	196	293
2	135	170	200	310
3	49	169	200	244
4	66	140	200	257
5	62	145	180	280
6	79	153	197	272

DIMENSIONS									
Shell Size	A CPLG Thread 0.1P-0.3L TS-2A		B Flange Width		C Mount Holes		D Holes Through	E Acc. Thread	F Panel Cut-out
	In.	mm.	In.	mm.	In.	mm.			
18	1.125	28.58	1.383	35.13	1.015	25.78	ø.146	1.1250-18 UNEF-2A	ø1.187
20	1.250	31.75	1.508	38.30	1.140	28.96	ø.146	1.2500-18 UNEF-2A	ø1.374
24	1.500	38.10	1.718	43.64	1.281	32.54	ø.146	1.4375-18 UNEF-2A	ø1.562
28	1.750	44.45	2.138	54.31	1.588	40.34	ø.170	1.8125-16 UN-2A	ø1.874
32	2.000	50.80	2.328	59.13	1.734	44.04	ø.170	2.0625-16 UNS-2A	ø2.062
36	2.250	57.15	2.578	65.48	1.984	50.39	ø.170	2.2500-16 UN-2A	ø2.302
40	2.500	63.50	2.828	71.83	2.234	56.74	ø.170	2.5000-16 UN-2A	ø2.562

970-038-H7 HERMETIC JAM-NUT MOUNT



DIMENSIONS													
Shell Size	A CPLG Thread 0.1P-0.3L TS-2A		B Panel Mounting Thread	ø C Flange		D Flange Width		E Hex Jam-Nut		F Acc. Thread	Panel Cut-Out		
	In.	mm.		In.	mm.	In.	mm.	In.	mm.		ø G ± .005	H ± .005	
												In.	mm.
18	1.125	28.58	1.2500-18 UNEF-2A	1.723	43.76	1.639	41.63	1.438	36.53	1.1250-18 UNEF-2A	ø1.270	1.222	31.04
20	1.250	31.75	1.4375-18 UNEF-2A	1.921	48.79	1.827	46.41	1.625	41.28	1.2500-18 UNEF-2A	ø1.457	1.414	35.92
24	1.500	38.10	1.6250-18 UNEF-2A	2.108	53.54	2.014	51.16	1.822	46.28	1.4375-18 UNEF-2A	ø1.645	1.601	40.67
28	1.750	44.45	1.9375-16 UN-2A	2.425	61.59	2.327	59.11	2.188	55.58	1.8125-16 UN-2A	ø1.957	1.915	48.64
32	2.000	50.80	2.1250-16 UN-2A	2.607	66.22	2.513	63.83	2.375	60.33	2.0625-16 UNS-2A	ø2.145	2.097	53.26
36	2.250	57.15	2.3750-16 UN-2A	2.857	72.57	2.763	70.18	2.625	66.68	2.2500-16 UN-2A	ø2.395	2.347	59.61
40	2.500	63.50	2.6250-16 UN-2A	3.107	78.92	2.875	73.02	2.875	73.02	2.5000-16 UN-2A	ø2.645	2.562	65.07