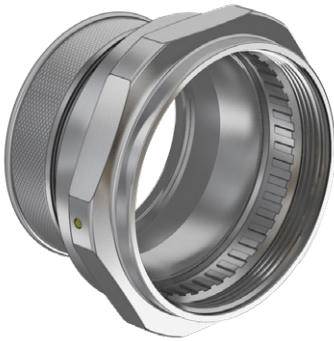


4470PXS1128 Compression backshell with banding platform

POWERLOAD BACKSHELLS AND ACCESSORIES



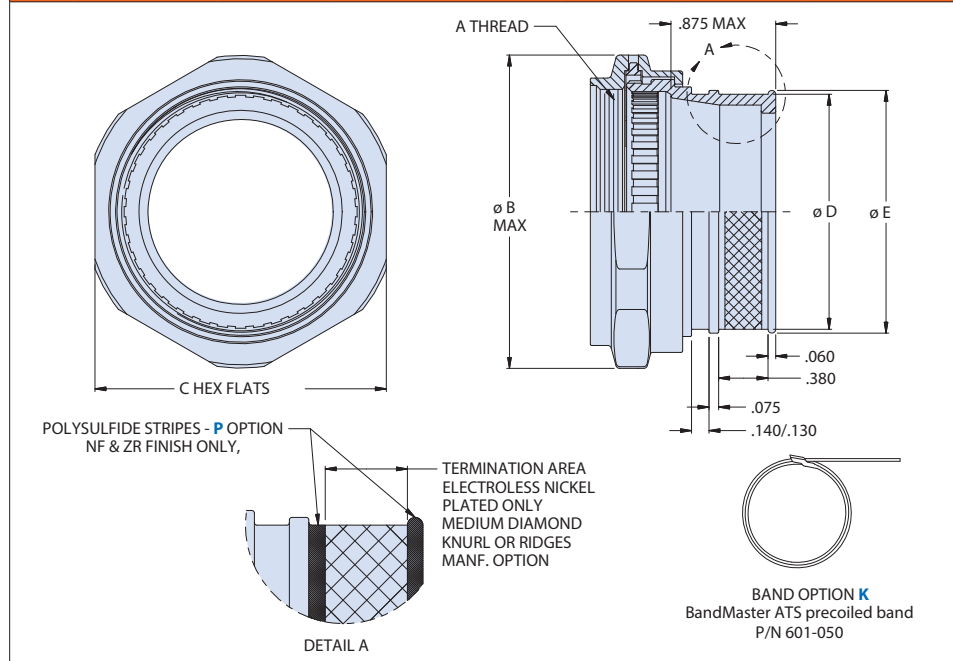
4470PXS1128 compression backshell with banding platform

HOW TO ORDER	
Sample Part Number	4470PX S 1128 Z1 28 K P T
Part Series	PowerLoad™ compression backshell with EMI band termination platform
Angle	S = Straight
Basic Number	1128
Material/Finish	ME, MT, NF, ZR, Z1, ZL (See Table)
Shell Size	16, 20, 22, 24, 28, 32, 36
Band Option	K = standard band 601-050 Omit for no band
Polysulfide Option	P = for polysulfide barrier stripes, NF and ZR finishes only (see drawing detail A). Omit if not required
Shrink Boot Option	T = Standard shrink boot (see table, *=1) T1 = Std. shrink boot with pre-coated W1 hot-melt adhesive (see table, *=1) H = Zero-halogen shrink boot (see table, *=2) H1 Zero-hal shrink boot with pre-coated W1 hot-melt adhesive (see table, *=2) Omit = no boot

NOTES AND MATERIAL SPECIFICATIONS

- Backshell is supplied standard with PowerLoad connectors unless otherwise specified
- Choose Band Option "K" for backshell supplied with BandMaster ATS precoiled band (P/N 601-050)
- Choose option P for polysulfide barrier stripes on NF and ZR finished backshells (see drawing detail A)
- Band - CRES / passivated
- Anti-decoupling device - corrosion-resistant material

BACKSHELL DIMENSIONS AND SHRINK BOOT PART NUMBERS



MATERIAL / FINISH			
Code	Material	Finish	Temp. Rating
ME	Aluminum	Electroless Nickel	-54°-+200°C
MT		Nickel-PTFE	-54°-+200°C
NF		Cadmium, OD	-54°-+175°C
ZR	Stainless Steel	Zinc-Ni, Black (Tri-Valent CR)	-54°-+175°C
Z1		Passivate	-54°-+230°C
ZL		Electrodeposited Nickel	-54°-+230°C

Shell Size	A Thread Class-2B	øB Max	C Hex	øD	øE	Standard Shrink Boot code T or H	Shrink Boot with Adhesive code T1 or H1
16	15/16-20 UNEF	1.43 (36.3)	1.25 (31.8)	.812 (20.62)	.875 (22.23)	770-001S*04	770-001S*04W1
20	1 3/16-18 UNEF	1.71 (43.4)	1.50 (38.1)	1.062 (26.97)	1.125 (28.58)	770-001S*05	770-001S*05W1
22	1 5/16-18 UNEF	1.84 (46.7)	1.63 (41.4)	1.187 (30.15)	1.250 (31.75)	770-001S*06	770-001S*06W1
24	1 7/16-18 UNEF	1.95 (49.5)	1.75 (44.5)	1.312 (33.32)	1.375 (34.92)	770-001S*07	770-001S*07W1
28	1 11/16-18 UNEF	2.21 (56.1)	2.00 (50.8)	1.562 (39.67)	1.625 (41.28)	770-001S*07	770-001S*07W1
32	1 15/16-20 UN	2.45 (62.2)	2.25 (57.2)	1.812 (46.02)	1.875 (47.63)	770-001S*08	770-001S*08W1
36	2 13/16-16 UNS	2.68 (68.1)	2.50 (63.5)	2.062 (52.37)	2.125 (53.97)	770-001S*09	770-001S*09W1