

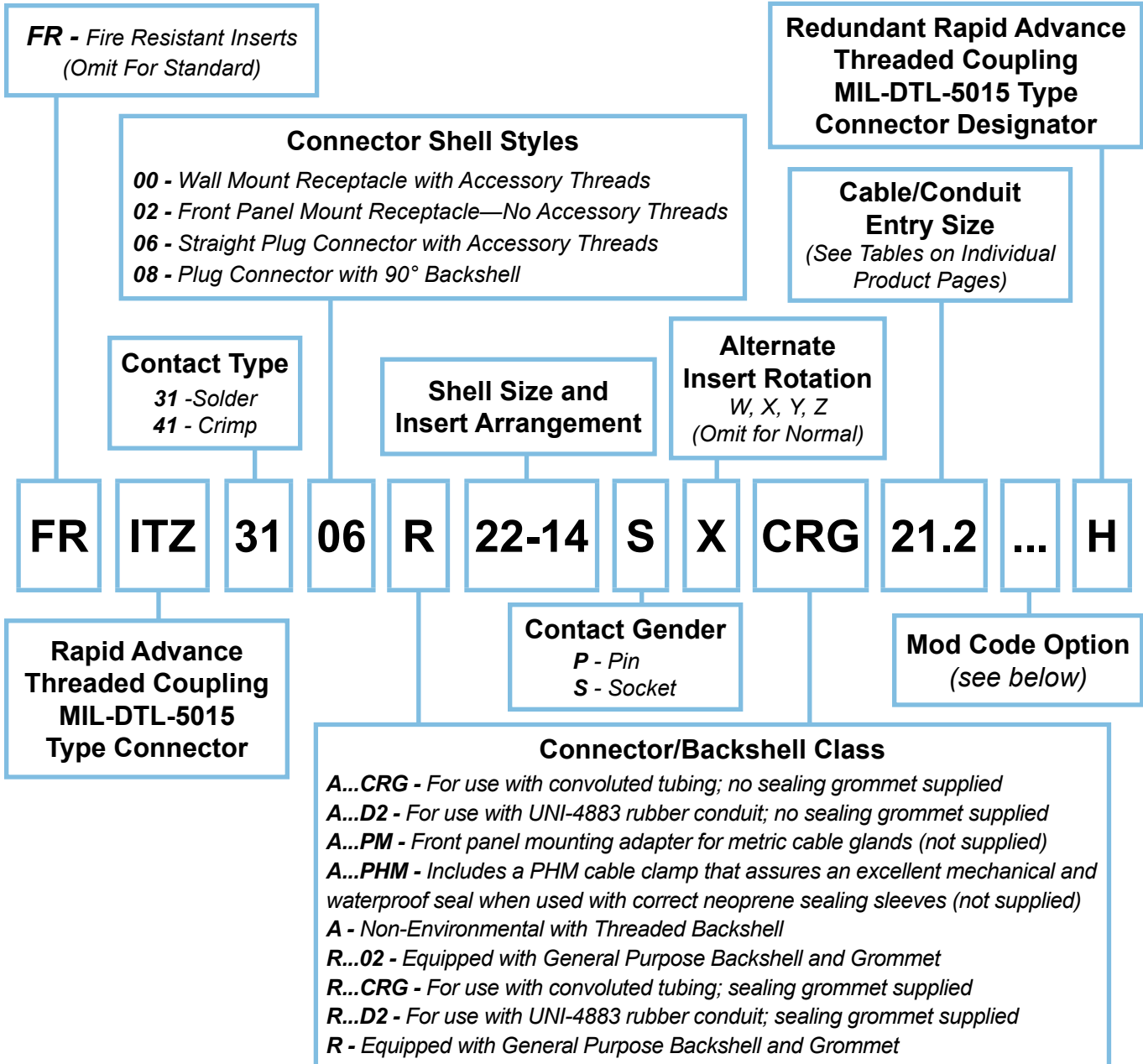
Table of Contents
Series ITZ 5015 Type
“Rapid Advance” Threaded Coupling
Connector Products and Part Numbers



How To Order - Series ITZ Part Number Breakdown.....	1
General Description.....	2
Technical Characteristics.....	3
Contact Dimensions.....	4
Contact Arrangements.....	8
Connector Shell Styles.....	21
Convolute Tubing Assembly Instructions.....	39
Accessories.....	40



How To Order Series ITZ 5015 Type "Rapid Advance" Threaded Coupling Connector Products and Part Numbers



<p>Backshells Omitted for standard version (. . .) N0: Connector less backshell</p> <p>Platings Omitted for standard version (non conductive black) F7: Cadmium free conductive black (RoHS)</p>	<p>Mod Code Options</p> <p>Contacts Omitted for standard version (silver plated) B0: Connector less contacts B1: Connector with gold plated contacts</p>
--	---

La serie di connettori ITZ presenta le medesime caratteristiche elettriche delle famiglie IT e ITS standard.

Studiata per un utilizzo particolare su mezzi militari anfibi, questa famiglia si è evoluta fino a diventare un sostituto dei connettori a baionetta nelle applicazioni industriali e ferroviarie.

I contatti sono di tipo a saldare o crimpare conformi alla MIL-C-5015, mentre l'accoppiamento tra connettore fisso e volante avviene tramite filetto trapezoidale e assicurato dalla frizione di OR in neoprene.

ITZ connector series presents the same electrical characteristics as the standard IT and ITS families. Designed to be used on special amphibious military vehicles, this series evolved and replaces some of the bayonet coupling connectors in industrial and railway applications.

The ITZ connector series use solder and crimp contacts in accordance with MIL-C-5015 and a trapezoidal threaded coupling system, assured by the use of rubber O-Rings.

Materiali e trattamenti

Material and finish

Parti metalliche

Lega di alluminio con trattamento di cataforesi nera.

Metal parts

Aluminium alloy with cathionic electrodeposition of black paint.

Contatti

Lega di rame con trattamento superficiale di argento.

Contacts

The following contact types are available: copper alloy with silver plating.

Parti isolanti

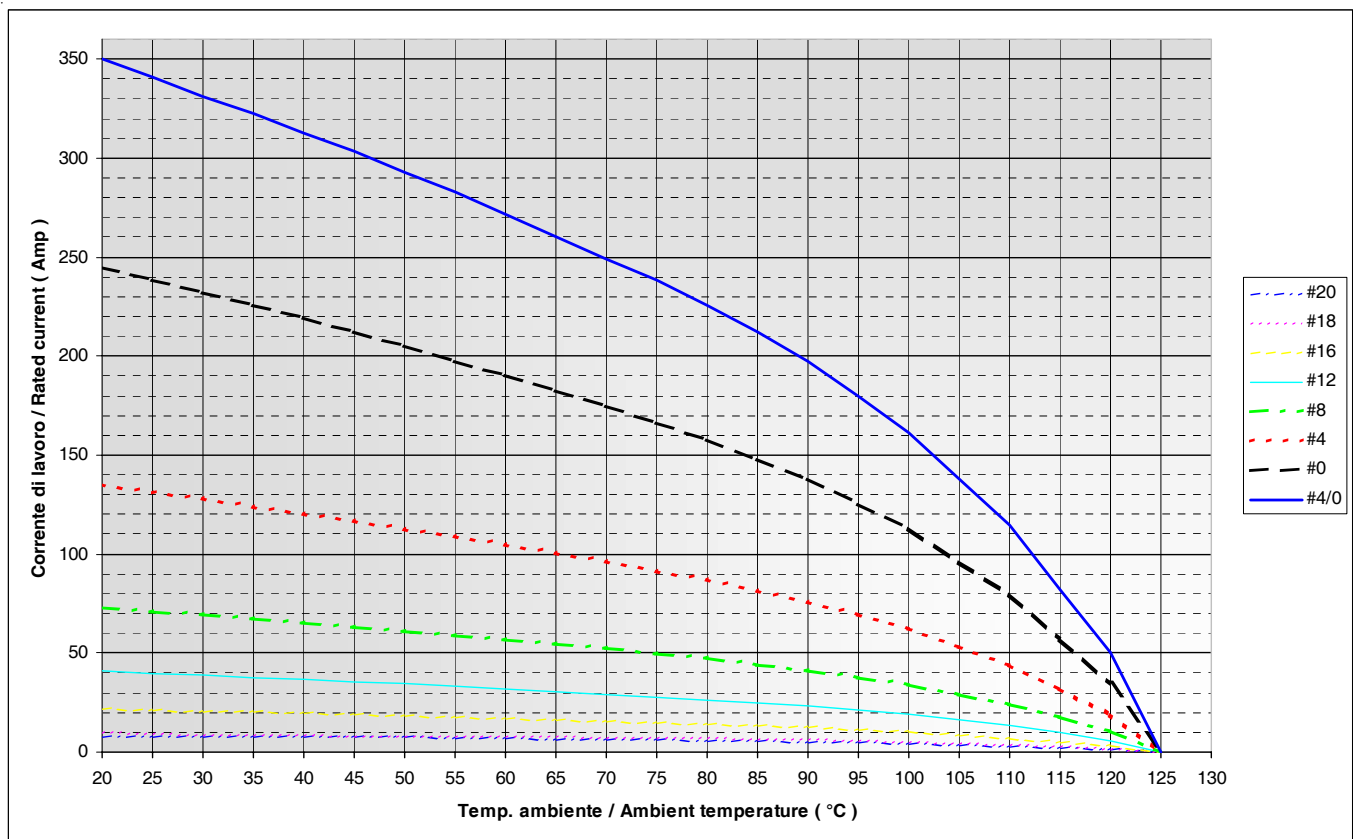
Gomma sintetica ad alto isolamento, resistente agli olii e ad un elevato range di temperature (-55°C ÷ +125°C).

Insulating parts

High insulation synthetic rubber, resistant to oils and high range of temperatures (-55°C to +125°C).

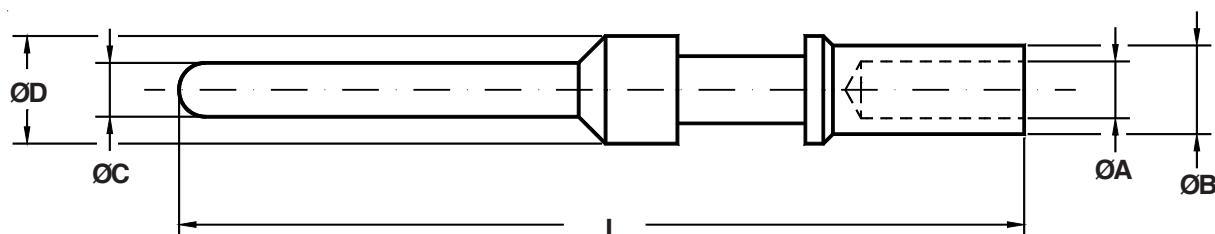
Contatti - Contacts

Tipo contatto Contact size	Corrente di lavoro a 20°C Rated current at 20°C	Corrente di lavoro a 80°C Rated current at 80°C	Resist. Contatto Max. Max. Contact resist.	Sezione filo Wire size
20	7.5 A	7.5 A	12.0 mΩ	20-26 AWG
18	10 A	7.5 A	12.0 mΩ	18-26 AWG
16	22 A	13 A	6.0 mΩ	16-22 AWG
12	41 A	23 A	3.0 mΩ	12-14 AWG
8	73 A	46 A	1.0 mΩ	8-10 AWG
4	135 A	80 A	0.5 mΩ	4-6 AWG
0	245 A	150 A	0.3 mΩ	0-2 AWG
4/0	350 A	225 A	0.2 mΩ	4/0 AWG



Isolamento - Service rating (Resistenza d'isolamento min - Min insulating resistance : $\geq 5 \times 10^3 \text{ M}\Omega$)

Classe Class	Tensione lavoro Vcc Operating voltage Vdc	Tensione lavoro Vca Operating voltage Vac RMS	Tens. Di prova Vca Test voltage Vac RMS
INST.	250 V	200 V	1000 V
A	700 V	500 V	2000 V
D	1250 V	900 V	2800 V
E	1750 V	1250 V	3500 V
B	2450 V	1750 V	4500 V
C	4200 V	3000 V	7000 V

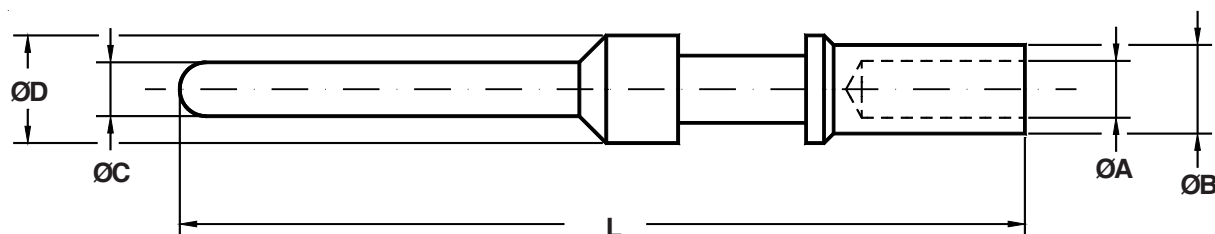


Codice Commital	Taglia	Sezione mm ²	AWG	A +0.1 -0	B ±0.1	C ±0.05	D ±0.1	L ±0.1
<i>Commital P/N</i>	<i>Size</i>							
10 - 375 - 20	20	0,5	24/ 20	1.30	1.93	1.00		24.30
10 - 40579	18	0.15/ 0.6	26/ 20	1.30	1.93	1.40	2.2	29.60
10 - 40553	16S	1/ 1.5	18/ 16	1.70	2.60	1.58	3.2	26.65
10 - 40553 - 13	16S	0.15/ 0.6	26/ 20	1.30	1.93	1.58	3.2	26.65
10 - 40553 - 15	16S	1	18	1.50	2.60	1.58	3.2	26.65
10 - 40553 - 20	16S	2	14	2.00	2.90	1.58	3.2	26.65
10 - 40553 - 26	16S	3	12	2.50	3.80	1.58	3.2	26.65
10 - 40557	16	1/ 1.5	18/ 16	1.70	2.60	1.58	3.2	31.75
10 - 40557 - 08	16	0.15/ 0.2	26/ 24	0.85	1.55	1.58	3.2	31.75
10 - 40557 - 12	16	0.6	20	1.20	2.60	1.58	3.2	31.75
10 - 40557 - 13	16	0.15/ 0.6	26/ 20	1.30	1.93	1.58	3.2	31.75
10 - 40557 - 15	16	1	18	1.50	2.60	1.58	3.2	31.75
10 - 40557 - 20	16	2	14	2.00	2.90	1.58	3.2	31.75
10 - 40557 - 26	16	3	12	2.50	3.80	1.58	3.2	31.75
10 - 40557 - 32	16		32/ 28	0.45	1.95	1.58	3.2	31.75
10 - 40561	12	3	12	2.50	3.90	2.38	4.8	37.65
10 - 40561 - 12	12	0.6	20	1.20	2.60	2.38	4.8	37.65
10 - 40561 - 15	12	1	18	1.50	3.40	2.38	4.8	37.65
10 - 40561 - 20	12	1/ 2	18/ 14	2.00	3.80	2.38	4.8	37.65
10 - 40561 - 22	12	2.5		2.20	3.80	2.38	4.8	37.65
10 - 40561 - 30	12	4		3.00	4.80	2.38	4.8	37.65
10 - 40561 - 30M	12	4		3.30	4.20	2.38	4.8	37.65
10 - 40561 - 38	12	6		3.60	4.80	2.38	4.8	37.65

Consultare il nostro servizio vendite per altri tipi di contatti o per le attrezzature di crimpatura .

Please consult our sales department for other contacts or crimp tooling details.

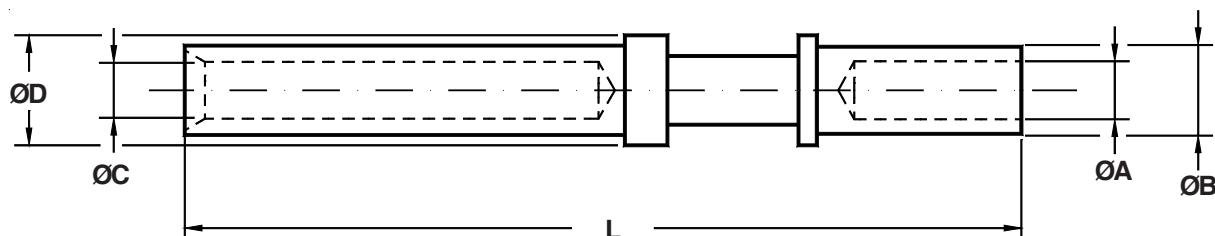
Contatti maschio a pinzare
Pin crimp contacts



Codice Commital	Taglia	Sezione	AWG	A	B	C	D	L
<i>Commital P/N</i>	<i>Size</i>	<i>mm²</i>		<i>+0.1</i>	<i>±0.1</i>	<i>±0.05</i>	<i>±0.1</i>	<i>±0.1</i>
				<i>-0</i>				
10 - 40792	8	6 / 8	8	4.50	6.90	3.59	7.8	42.00
10 - 40792 - 15	8	1	18	1.50	3.40	3.60	7.8	40.70
10 - 40792 - 18	8	1 / 2	18 / 14	1.80	3.80	3.60	7.8	40.70
10 - 40792 - 26	8	3	12	2.50	3.80	3.60	7.8	40.70
10 - 40792 - 30	8	4		3.00	4.80	3.60	7.8	40.70
10 - 40792 - 38	8	6		3.60	6.80	3.60	7.8	40.70
10 - 40792 - 50	8	10		5.00	6.90	3.59	7.8	42.00
10 - 40792 - 58	8	13.2	6	5.80	7.80	3.60	7.8	40.70
10 - 113474 - 4P	4	22	4	7.15	9.53	5.70	11.0	42.00
10 - 113474 - 4P - 22	4	2.5		2.20	3.80	5.70	11.0	42.00
10 - 113474 - 4P - 25	4	25		7.80	9.50	5.70	11.0	42.00
10 - 113474 - 4P - 26	4	3		2.50	3.80	5.70	11.0	42.00
10 - 113474 - 4P - 30	4	4		3.00	4.80	5.70	11.0	42.00
10 - 113474 - 4P - 35	4	35		9.00	14.35	5.70	11.0	42.00
10 - 113474 - 4P - 50	4	10		5.00	7.00	5.70	11.0	42.00
10 - 113474 - 4P - 62	4	16		6.20	9.53	5.70	11.0	42.00
10 - 113474 - 1P	0	50 / 60	0	11.50	14.30	9.05	15.1	45.00
10 - 113474 - 1P - 107	0	50		10.70	14.35	9.05	15.1	45.00
10 - 113474 - 1P - 25	0	25		7.80	9.50	9.05	15.1	45.00
10 - 113474 - 1P - 35	0	35		9.00	14.35	9.05	15.1	45.00
10 - 113474 - 1P - 45	0	9	8	4.55	6.80	9.05	15.1	45.00
10 - 113474 - 1P - 50	0	10		5.00	7.00	9.05	15.1	45.00
10 - 113474 - 1P - 62	0	16		6.20	9.50	9.05	15.1	45.00
10 - 113474 - 1P - 72	0		4	7.15	9.50	9.05	15.1	45.00
10 - 113474 - 0P	4/0	107	4/0	16.50	20.00	12.69	20.0	63.00

Consultare il nostro servizio vendite per altri tipi di contatti o per le attrezzature di crimpatura .

Please consult our sales department for other contacts or crimp tooling details.

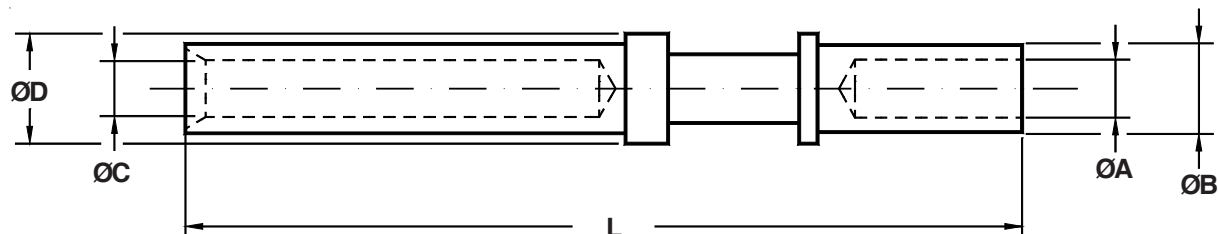


Codice Commital	Taglia	Sezione mm ²	AWG	A +0.1 -0	B ±0.1	C ±0.05	D ±0.1	L ±0.1
<i>Commital P/N</i>	<i>Size</i>							
10 - 40520 LC	20	0.5	24 / 20	1.3	1.93	1.08	2.0	36.50
10 - 40588	18	0.15 / 0.6	26 / 20	1.30	1.93	1.48	2.2	34.40
10 - 40552	16S	1 / 1.5	18 / 16	1.70	2.60	1.65	3.2	26.60
10 - 40522 TU	16S	1 / 1.5	18 / 16	1.70	2.60	1.65	3.2	26.60
10 - 40552 - 13	16S	0.15 / 0.6	26 / 20	1.30	1.93	1.65	3.2	26.65
10 - 40552 - 15	16S	1	18	1.50	2.60	1.65	3.2	26.65
10 - 40552 - 20	16S	2	14	2.00	2.90	1.65	3.2	26.65
10 - 40552 - 26	16S	3	12	2.50	3.80	1.65	3.2	26.65
10 - 40556	16	1 / 1.5	18 / 16	1.70	2.60	1.65	3.2	36.50
10 - 40556 RES	16	1 / 1.5	18 / 16	1.70	2.60	1.65	3.2	36.50
10 - 40556 TU	16	1 / 1.5	18 / 16	1.70	2.60	1.65	3.2	36.50
10 - 40556 - 08	16	0.15 / 0.2	26 / 24	0.85	1.55	1.65	3.2	36.50
10 - 40556 - 12	16	0.6	20	1.20	2.60	1.65	3.2	36.50
10 - 40556 - 13	16	0.15 / 0.6	26 / 20	1.30	1.93	1.65	3.2	36.50
10 - 40556 - 15	16	1	18	1.50	2.60	1.65	3.2	36.50
10 - 40556 - 20	16	2	14	2.00	2.90	1.65	3.2	36.50
10 - 40556 - 22 TU	16	2.5		2.20	3.80	1.65	3.2	36.20
10 - 40556 - 26	16	3	12	2.50	3.80	1.65	3.2	36.50
10 - 40556 - 32	16		32 / 28	0.45	1.95	1.65	3.2	36.50
10 - 40560	12	3	12	2.50	3.90	2.48	4.8	37.65
10 - 40560 TU	12	3	12	2.50	3.80	2.48	4.8	37.50
10 - 40560 - 12	12	0.6	20	1.20	2.60	2.48	4.8	37.65
10 - 40560 - 15	12	1	18	1.50	3.40	2.48	4.8	37.65
10 - 40560 - 20	12	1 / 2	18 / 14	2.00	3.80	2.48	4.8	37.65
10 - 40560 - 22	12	2.5		2.20	3.80	2.48	4.8	37.65
10 - 40560 - 30	12	4		3.00	4.80	2.48	4.8	37.65
10 - 40560 - 30M	12	4		3.30	4.20	2.48	4.8	37.65
10 - 40560 - 38	12	6		3.60	4.80	2.48	4.8	37.65

Consultare il nostro servizio vendite per altri tipi di contatti o per le attrezzature di crimpatura.

Please consult our sales department for other contacts or crimp tooling details.

Contatti femmina a pinzare
Socket crimp contacts



Codice Commital	Taglia	Sezione mm ²	AWG	A +0.1 -0	B ±0.1	C ±0.05	D ±0.1	L ±0.1
<i>Commital P/N</i>	<i>Size</i>							
10 - 40793	8	9	8	4.50	6.90	3.73	7.8	42.00
10 - 40793 - 1	8	9	8	4.50	6.75	3.70	7.8	40.50
10 - 40793 - 1 - 15	8	1	18	1.45	3.40	3.70	7.8	40.50
10 - 40793 - 1 - 18	8	1/2	18/14	1.80	3.80	3.70	7.8	40.50
10 - 40793 - 1 - 26	8	3	12	2.50	3.80	3.70	7.8	40.50
10 - 40793 - 1 - 30	8	4		3.00	4.80	3.70	7.8	40.50
10 - 40793 - 1 - 38	8	6		3.60	6.80	3.70	7.8	40.50
10 - 40793 - 1 - 50	8	10		5.00	6.90	3.70	7.8	40.50
10 - 40793 - 1 - 58	8	13.2	6	5.50	7.80	3.70	7.8	40.50
10 - 40793 - 50	8	10		5.00	6.90	3.70	7.8	42.00
10 - 40793 - M4	8			3.00	5.00	3.70	7.8	42.00
10 - 113474 - 4S	4	22	4	7.10	9.53	5.80	11.0	42.00
10 - 113474 - 4S - 1	4	22	4	7.10	9.53	5.80	11.0	41.00
10 - 113474 - 4S - 1 - 22	4	2.50		2.20	3.80	5.80	11.0	41.00
10 - 113474 - 4S - 1 - 26	4	3		2.50	3.80	5.80	11.0	41.00
10 - 113474 - 4S - 1 - 30	4	4		3.00	4.80	5.80	11.0	41.00
10 - 113474 - 4S - 1 - 50	4	10		5.00	7.00	5.80	11.0	41.00
10 - 113474 - 4S - 1 - 62	4	16		6.20	9.50	5.80	11.0	41.00
10 - 113474 - 4S - 1 - 90	4	35		9.00	14.35	5.80	11.0	48.00
10 - 113474 - 4S - 25M	4	25		8.00	9.53	5.80	11.0	42.00
10 - 113474 - 1S	0	50/60	0	11.50	14.30	9.17	15.1	44.60
10 - 113474 - 1S / M	0			11.50	14.35	10.17	15.1	45.30
10 - 113474 - 1S - 107	0	50		10.70	14.35	9.17	15.1	44.60
10 - 113474 - 1S - 25	0	25		7.80	9.50	9.17	15.1	44.60
10 - 113474 - 1S - 35	0	35		9.00	14.35	9.17	15.1	44.60
10 - 113474 - 1S - 45	0	9	8	4.55	6.80	9.17	15.1	44.60
10 - 113474 - 1S - 50	0	10		5.00	7.00	9.17	15.1	44.60
10 - 113474 - 1S - 62	0	16		6.20	9.50	9.17	15.1	45.30
10 - 113474 - 1S - 72	0		4	7.15	9.50	9.17	15.1	45.30
10 - 113474 - 0S	4/0	107	4/0	16.50	20.00	12.70	20.0	65.90

Consultare il nostro servizio vendite per altri tipi di contatti o per le attrezzature di crimpatura.

Please consult our sales department for other contacts or crimp tooling details.

Disposiz. Arrang.	Cl. isol. Rating	n° cont.	Dimens. Contatti / Contact size							
			4/0	0	4	8	12	16	18	20
18-1	I	10						10		
-3	D	2					2			
-4	D	4						4		
-5	D	3					2	1		
-6	D	1			1					
-06	A	6					4	2		
-7	B	1				1				
-8	A	8					1	7		
-9	I	7					2	5		
-10	A	4					4			
-11	A	5					5			
-12	A	6						6		
-13	A	4				1	3			
-14	A	2			1			1		
-16	C	1					1			
-19	A	10						10		
-20	A	5						5		
-22	D	3						3		
-29	A	5						5		
22-1	D	2				2				
-2	D	3				3				
-4	A	4				2	2			
-5	D	6					2	4		
-6	D	3				2		1		
-7	E	1		1						
-8	E	2					2			
-9	E	3					3			
-10	E	4						4		
-11	B	2						2		
-12	D	5				2		3		
-13	D	5					4	1		
-14	A	19						19		
-15	A	6					5	1		
-16	A	9					3	6		
-17	A	9					1	8		
-18	A	8						8		
-19	A	14						14		
-20	A	9						9		
-21	A	3		1				2		
-22	A	4				4				
-23	A	8					8			
-24	A	6					2	4		
-27	A	9				1		8		
-28	A	7					7			

Disposiz. Arrang.	Cl. isol. Rating	n° cont.	Dimens. Contatti / Contact size							
			4/0	0	4	8	12	16	18	20
22-33	A	7							7	
-34	D	5						3	2	
-82	A	10					2		8	
-A10	A	10							10	
-A37	A	37								37
24-2	D	7						7		
-3	A	7						2	5	
-4	A	4			1				3	
-5	A	16							16	
-06	D	6					4		2	
-6	A	8						8		
-07	D	7						7		
-7	A	16						2	14	
-9	A	2				2				
-10	A	7					7			
-11	A	9					3	6		
-12	A	5				2		3		
-013	A	13						6	7	
-16	A	7					1	3	3	
-17	D	5						2	3	
-19	A	12							12	
-20	D	11						2	9	
-21	D	10					1		9	
-22	D	4					4			
-27	E	7							7	
-28	I	24							24	
-67	A	19						19		
-A1	B	1			1					
-A25	A	25							25	
-A28	I	28							28	
-A55	I	55								55
-G5	A	5					5			
28-1	A	9					3	6		
-2	D	14						2	12	
-3	E	3					3			
-4	D	9						2	7	
-5	D	5				2		1	2	
-6	D	3				3				
-7	D	2				2				
-8	A	12						2	10	
-09	A	9				4			5	
-9	D	12						6	6	
-10	A	7				2	2	3		
-11	A	22						4	18	

Disposizione contatti

Contact arrangement



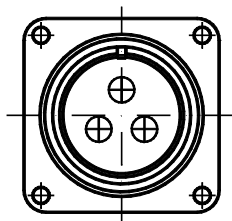
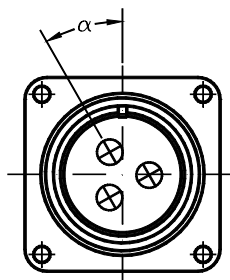
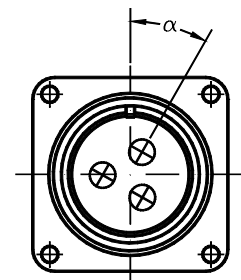
Disposiz. Arrang.	Cl. isol. Rating	n° cont.	Dimens. Contatti / Contact size							
			4/0	0	4	8	12	16	18	20
28-12	A	26							26	
-13	A	26							26	
-15	A	35							35	
-16	A	20							20	
-17	A	15							15	
-18	I	12							12	
-19	A	10					4	6		
-20	A	14					10	4		
-21	A	37							37	
-22	D	6			3				3	
-51	D	12					12			
-59	A	17					7	10		
-70	A	7				7				
-72	I	72								72
-124	A	16				4		12		
-A29	A	29				2		27		
-A31	A	31				6				25
-A35	A	35							35	
-A63	I	28					9	19		
-B1	B	1		1						
-B2	E	2				2				
32-1	D	5		2			3			
-2	E	5			3			2		
-3	D	9		1	2		2	4		
-4	A	14					2	12		
-5	D	2		2						
-6	A	23			2	3	2	16		
-7	I	35					7	28		
-8	A	30					6	24		
-9	D	14			2			12		
-10	A	7			2	2		3		
-12	A	15					5	10		
-013	D	13					13			
-13	D	23					5	18		
-15	D	8		2			6			
-17	D	4			4					
-22	A	54						54		
-31	A	31						31		
-59	A	42				2		40		
-68	A	16			4			12		
-689	A	9			3			6		
-76	A	19					19			
-79	D	5			4	1				

Disposiz. Arrang.	Cl. isol. Rating	n° cont.	Dimens. Contatti / Contact size							
			4/0	0	4	8	12	16	18	20
32-88	A	54							54	
-A1	A	1	1							
-A3	E	3			3					
-A5	A	5			5					
-A25	A	25						25		
-A27	A	27						10	17	
-A30	A	30						10	20	
-A40	A	40							40	
-A48	I	48							48	
-A55	A	55							55	
-B22	A	22			2				20	
40-1	D	30						6	24	
-9	A	47					1	22	24	
-10	A	29			4	9			16	
-26	A	26				7	19			
-31	D	31						31		
-35	D	35						35		
-47	A	47				1	22	24		
-53	A	60							60	
-56	A	85							85	
-62	A	60							60	
-63	A	61							61	
-67	A	11			10				1	
-100	A	100								100
-150	I	150								150
-951	A	51						25	26	
-A3	A	5			3			2		
-A4	A	6			4			2		
-A5	A	5			3	1		1		
-A6	B	6						6		
-A8	E	8			4				4	
-A10	D	8			4				4	
-A14	A	14			8			6		
-A20	D	20					2	18		
-A24	D	24					8	16		
-A38	A	38						38		
-A51	A	31					15		16	
-A56	A	85							85	
-A62	A	62					2		60	
-A65	A	65							65	
-B4	E	4			4					
-B8	A	8					4 speciali		4	
-B19	A	19						19		

Disposiz. Arrang.	gradi / degrees $\alpha \pm 2^\circ$			
	W	X	Y	Z
18 - 1	70	145	215	290
- 3	35	110	250	325
- 4	35	110	250	325
- 5	80	110	250	280
- 06		180		
- 8	70			290
- 9	80	110	250	280
- 10		120	240	
- 11		170	265	
- 12	80			280
- 13	80	110	250	280
- 14	80	110	250	280
- 19		120	240	
- 20	90	180	270	
- 22	70	145	215	290
- 29	90	180	270	
22 - 1	35	110	250	325
- 2	70	145	215	290
- 4	35	110	250	325
- 5	35	110	250	325
- 6	80	110	250	280
- 8	35	110	250	325
- 9	70	145	215	290
- 10	35	110	250	325
- 11	35	110	250	325
- 12	80	110	250	280
- 13	35	110	250	325
- 14	80	110	250	280
- 15	80	110	250	280
- 16	80	110	250	280
- 17	80	110	250	280
- 18	80	110	250	280
- 19	80	110	250	280
- 20	35	110	250	325
- 21	80	110	250	280
- 22		110	250	
- 23	35		250	
- 24	80	110	250	280
- 27	80		250	280
- 28	80			280
- 33	80	110	250	280
- 34	80	110	250	280
- A10		120	240	
- A37	80	112	250	280

Disposiz. Arrang.	gradi / degrees $\alpha \pm 2^\circ$			
	W	X	Y	Z
24 - 2	80			280
- 3	80	110	250	280
- 5	80	110	250	280
- 06	40			320
- 6	80	110	250	280
- 07	80			280
- 7	80	110	250	280
- 9	35	110	250	325
- 10	80			280
- 11	35	110	250	325
- 12	80	110	250	280
-16	80	110	250	280
- 17	80	110	250	280
- 20	80	110	250	280
- 21	80	110	250	280
- 22	45	110	250	
- 27	80			280
- 28	80	110	250	280
- 67	80			335
- A25	80	110	250	280
- A28	65	146	235	
- A55	80	110	250	280
28 - 1	80	110	250	280
- 2	35	110	250	325
- 3	70	145	215	290
- 4	80	110	250	280
- 5	35	110	250	325
- 6	70	145	215	290
- 7	35	110	250	325
- 8	80	110	250	280
- 9	80	110	250	280
- 10	80	110	250	280
- 11	80	110	250	280
- 12	90	180	270	
- 15	80	110	250	280
- 16	80	110	250	280
- 17	80	110	250	280
- 18	70	145	215	290
- 19	80	110	250	280
- 20	80	110	250	280
- 21	80	110	250	280
- 22	70	145	215	290
- 51	80	135	195	
- 59	35	110	250	325
- 72	72	144	216	288
- A35	80	110	250	280
- A63		100	260	

Disposiz. Arrang.	gradi / degrees $\alpha \pm 2^\circ$			
	W	X	Y	Z
32 - 1	80	110	250	280
- 2	70	145	215	290
- 3	80	110	250	280
- 4	80	110	250	280
- 5	35	110	250	325
- 6	80	110	250	280
- 7	80	125	235	280
- 8	80	125	235	280
- 9	80	110	250	280
- 10	80	110	250	280
- 12	80	110	250	280
- 013	65	130	230	295
- 13	80	110	250	280
- 15	35	110	250	280
- 17	45	110	250	
- 22	80	110	250	280
-59	36	108	252	324
- 68	65	135	225	275
- 76	80	110	250	280
- 88	80	110	250	280
- A3	22	44		
- A25	60	120		
- A27	30	115	285	335
- A40	35	130		
- A48	80			
- A55	80	110	250	280
- B22	35	110	250	325
40 - 1	65	130	235	300
- 9	65	125	225	310
- 10	65	125	225	310
- 26	80	110	250	280
- 31	80	110	250	280
- 35	70	130	230	290
- 47	65	125	225	310
- 53	80	110	250	280
- 56	72	144	216	288
- 62	30	130	220	290
- 63	80			280
- A3	70	145	215	290
- A4	50	120	240	325
- A5	33			270
- A38	37	74	285	322
- A56	72	144	216	288
- A62	80	130	230	280
- A65	70	145	215	285
- B4	45	110		
- B19	35	105	255	325

Rotazioni degli inserti (vista frontale) / Insert rotation (front view)
Posizione normale
Normal position

**Posizione ruotata
con contatti femmina**
*Alternate position
with socket contacts*

**Posizione ruotata
con contatti maschio**
*Alternate position
with pin contacts*


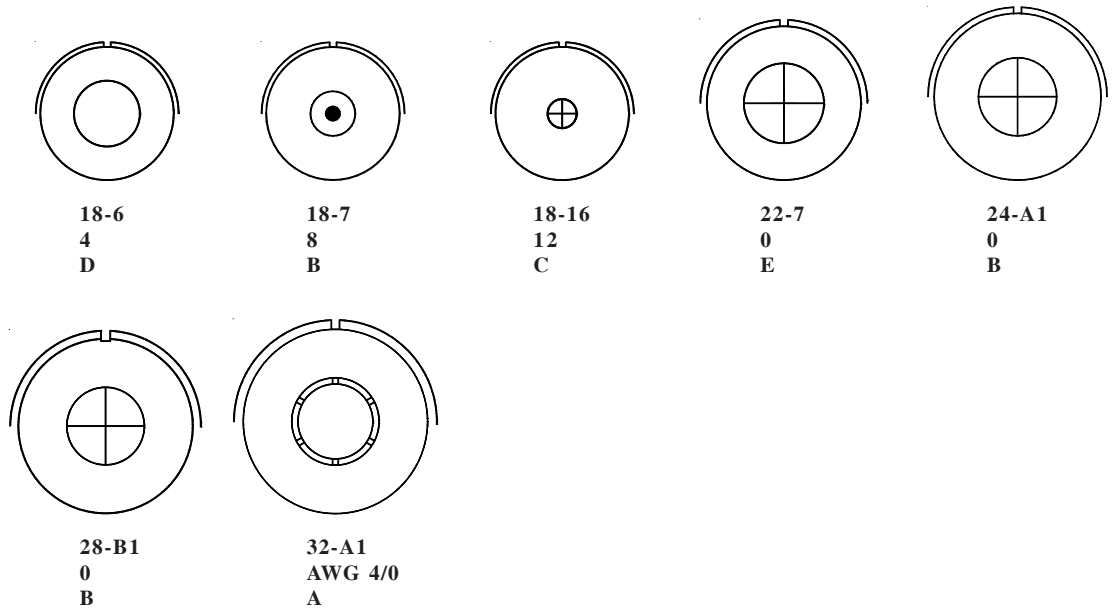
Disposizione contatti Contact arrangement



Vista anteriore inserto maschio
Front view of male insert

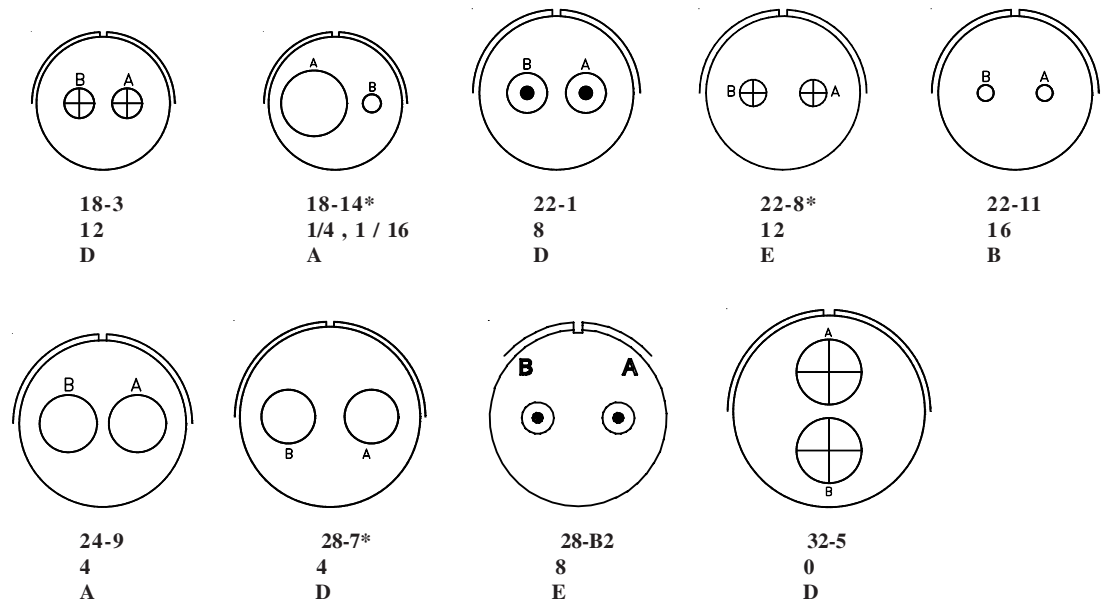
1 CONTATTO 1 CONTACT

ARRANGEMENT
CONTACT SIZE
SERVICE RATING



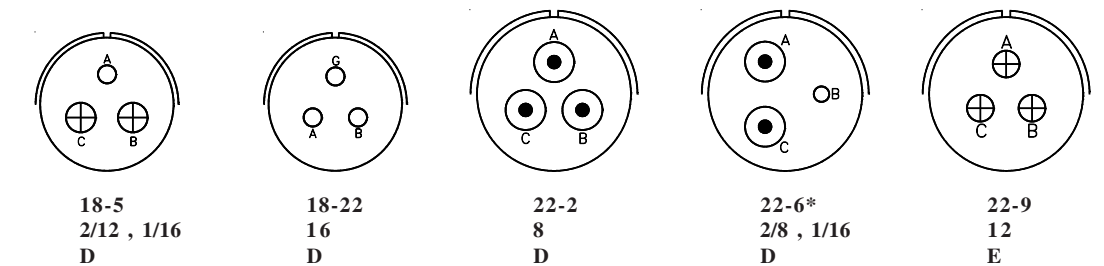
2 CONTATTI 2 CONTACTS

ARRANGEMENT
CONTACT SIZE
SERVICE RATING



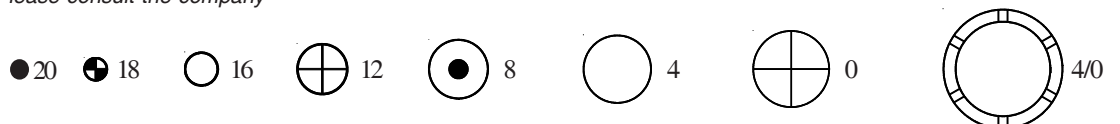
3 CONTATTI 3 CONTACTS

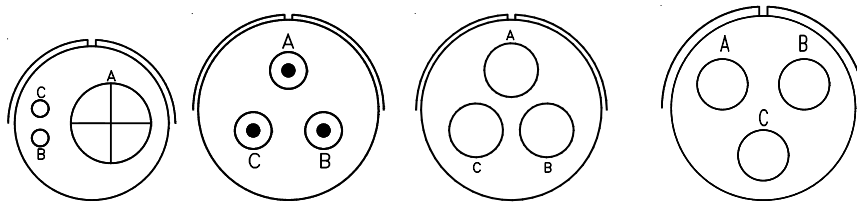
ARRANGEMENT
CONTACT SIZE
SERVICE RATING



* - Consultare l'azienda / Please consult the company

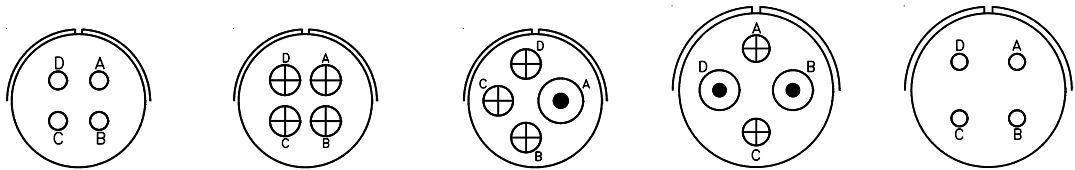
LEGENDA CONTATTI CONTACT LEGEND



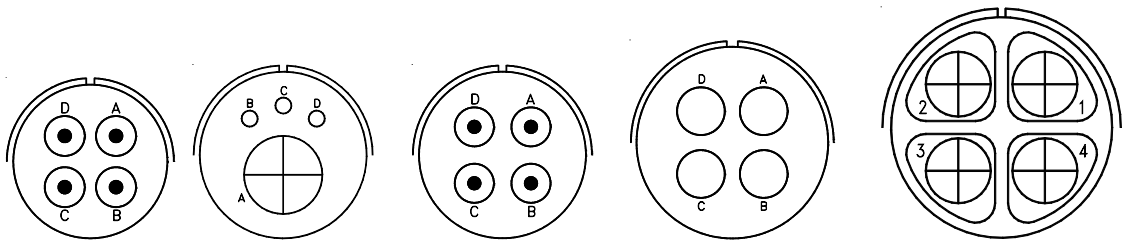


ARRANGEMENT	22-21	28-3	28-6	32-A3
CONTACT SIZE	1/0 , 2/16	8	4	4
SERVICE RATING	A	E	D	E

4 CONTATTI
4 CONTACTS

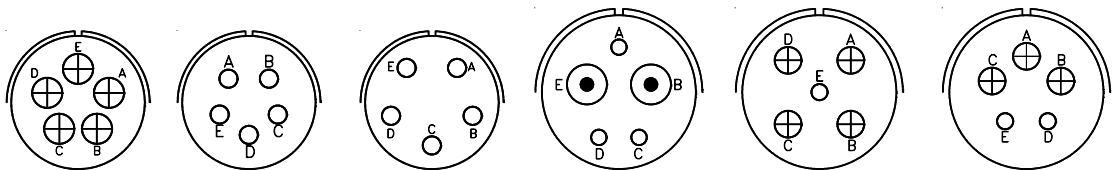


ARRANGEMENT	18-4	18-10	18-13*	22-4	22-10
CONTACT SIZE	16	12	1/8 , 3/12	2/8 , 2/12	16
SERVICE RATING	D	A	A	A	E

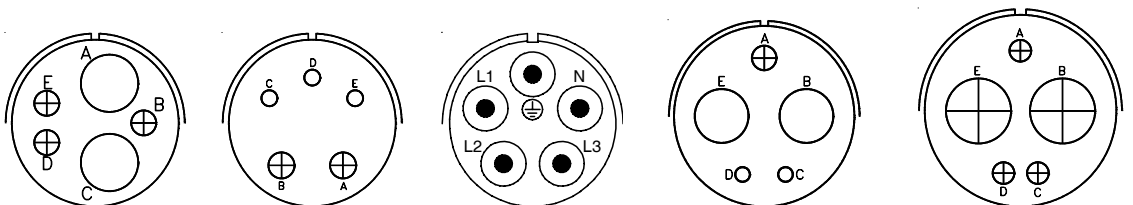


ARRANGEMENT	22-22	24-4	24-22	32-17	40-B4
CONTACT SIZE	8	1/0 , 3/16	8	4	0
SERVICE RATING	A	A	D	D	E

5 CONTATTI
5 CONTACTS



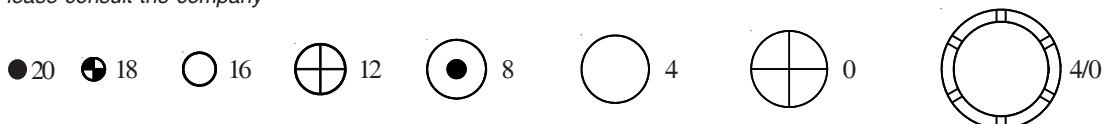
ARRANGEMENT	18-11	18-20	18-29*	22-12	22-13*	22-34
CONTACT SIZE	12	16	16	2/8 , 3/16	4/12 , 1/16	3/12 , 2/16
SERVICE RATING	A	A	A	D	D	D



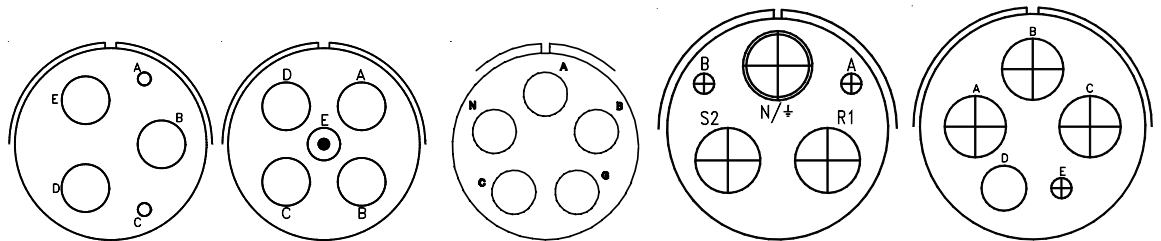
ARRANGEMENT	24-12	24-17*	24-G5	28-5*	32-1
CONTACT SIZE	2/4 , 3/12	2/12 , 3/16	8	2/4 , 1/12 , 2/16	2/0 , 3/12
SERVICE RATING	A	D	A	D	A=E ; B,C,D,E=D

* - Consultare l'azienda / Please consult the company

LEGENDA CONTATTI
CONTACT LEGEND

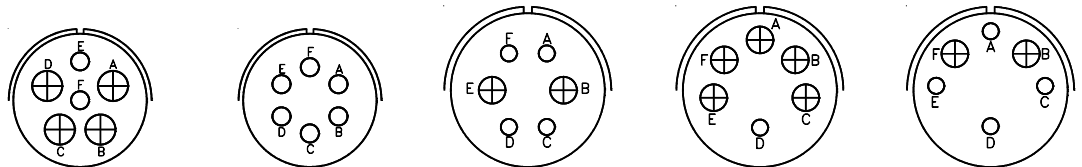


Disposizione contatti Contact arrangement

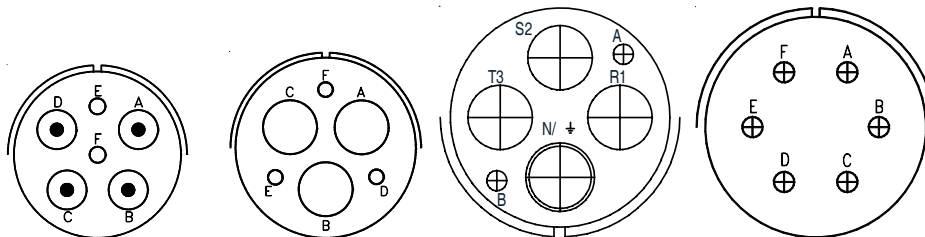


ARRANGEMENT	32-2*	32-79	32-A5	40-A3	40-A5
CONTACT SIZE	3/4 , 2/16	4/4 , 1/8	4	1/0M , 2/0 , 2/12	3/0 , 1/4 , 1/12
SERVICE RATING	E	D	A	A	A

6 CONTATTI 6 CONTACTS

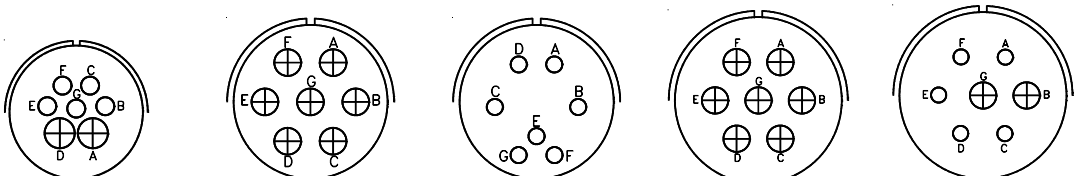


ARRANGEMENT	18-06	18-12	22-5	22-15*	22-24*
CONTACT SIZE	4/12 , 2/16	16	2/12 , 4/16	5/12 , 1/16	2/12 , 4/16
SERVICE RATING	A	A	D	D=E ; A,B,C,E,F=A	A,B,F=A ; C,D,E=D

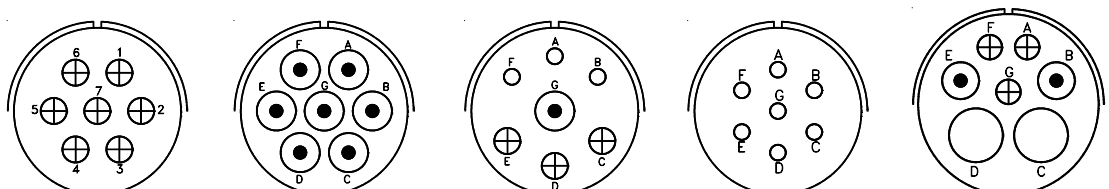


ARRANGEMENT	24-06	28-22	40-A4	40-A6
CONTACT SIZE	4/8 , 2/16	3/4 , 3/16	1/0M , 3/0 , 2/12	16
SERVICE RATING	D	D	A	B

7 CONTATTI 7 CONTACTS



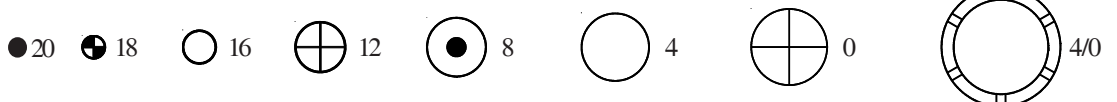
ARRANGEMENT	18-9	22-28	22-33*	24-2	24-3
CONTACT SIZE	2/12 , 5/16	12	16	12	2/12 , 5/16
SERVICE RATING	I	A	A,B,C,D=D ; E,F,G=A	D	A

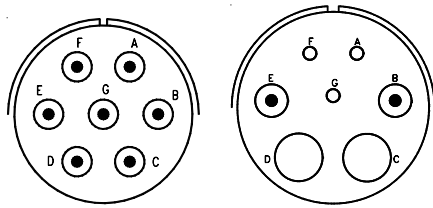


ARRANGEMENT	24-07	24-10	24-16*	24-27	28-10
CONTACT SIZE	12	8	1/8 , 3/12 , 3/16	16	2/4 , 2/8 , 3/12
SERVICE RATING	D	A	A,B,F,G=D ; C,D,E=A	E	G=D ; Bal=A

* - Consultare l'azienda / Please consult the company

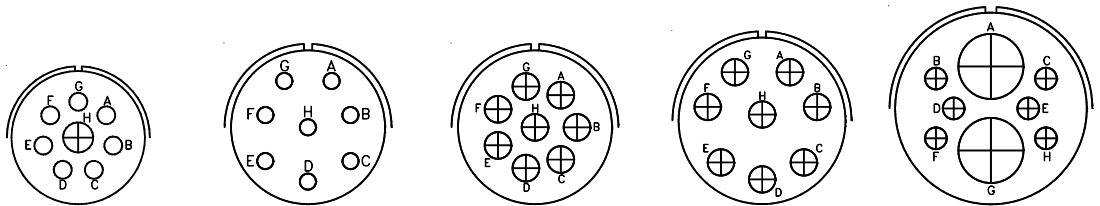
LEGENDA CONTATTI CONTACT LEGEND



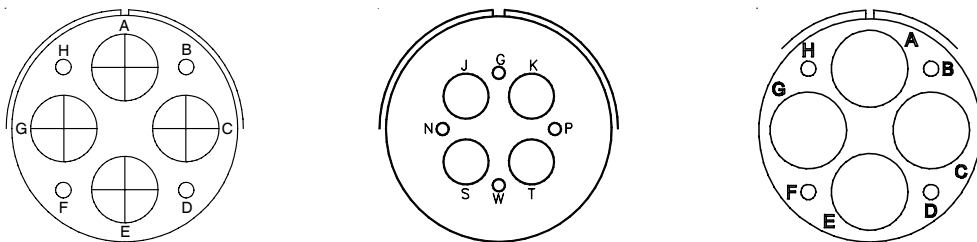


ARRANGEMENT	28-70	32-10*
CONTACT SIZE	8	2/4 , 2/8 , 3/16
SERVICE RATING	A	A,F=E ; B,E=D ; C,D=A ; G=B

8 CONTATTI
8 CONTACTS

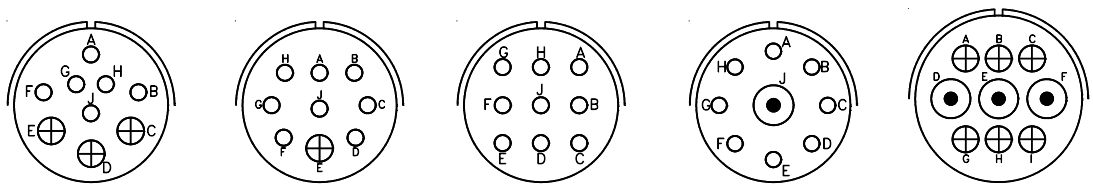


ARRANGEMENT	18-8	22-18	22-23	24-6	32-15
CONTACT SIZE	1/12 , 7/16	16	12	12	2/0 , 6/12
SERVICE RATING	A	A,B,F,G,H=D ; C,D,E=A	H=D ; Bal=A	A,G,H=D ; Bal=A	D

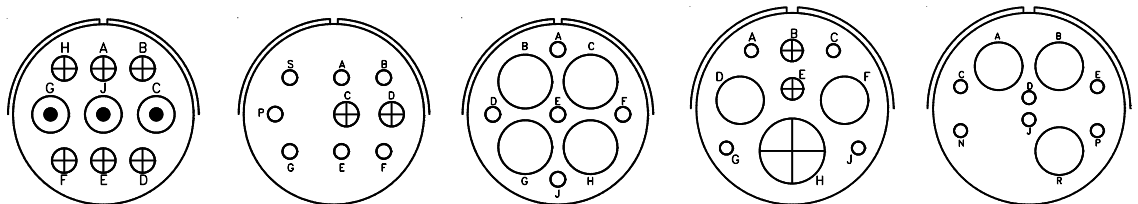


ARRANGEMENT	40-A8	40-A10	40-B8
CONTACT SIZE	4/0, 4/16	4/4 , 4/16	4/16, 4/special
SERVICE RATING	E	D	A

9 CONTATTI
9 CONTACTS



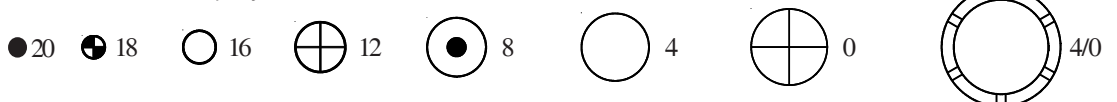
ARRANGEMENT	22-16*	22-17	22-20	22-27	24-11
CONTACT SIZE	3/12 , 6/16	1/12 , 8/16	16	1/8 , 8/16	3/8 , 6/12
SERVICE RATING	A	A=D ; Bal=A	A	J=D ; Bal=A	A



ARRANGEMENT	28-1	28-4*	28-09	32-3*	32-689
CONTACT SIZE	3/8 , 6/12	2/12 , 7/16	4/4 , 5/16	1/0 , 2/4 , 2/12 , 4/16	3/4 , 6/16
SERVICE RATING	A,J,E=D Bal=A	G,P,S=E ; Bal=D	A	D	A

* - Consultare l'azienda / Please consult the company

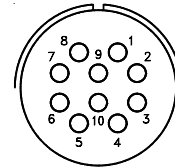
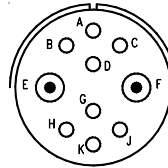
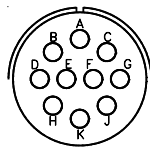
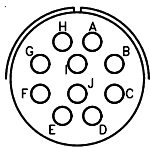
LEGENDA CONTATTI
CONTACT LEGEND



Disposizione contatti Contact arrangement



10 CONTATTI 10 CONTACTS

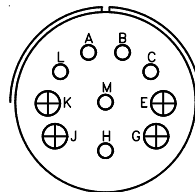
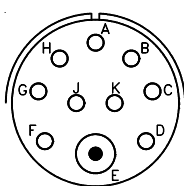


ARRANGEMENT 18-1
CONTACT SIZE 16
SERVICE RATING B,C,F,G=A ;
Bal=I

18-19
16
A

22-82
8/16 , 2/8
A

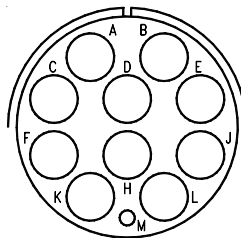
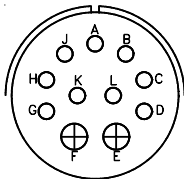
22-A10
16
A



ARRANGEMENT 24-21*
CONTACT SIZE 1/8 , 9/16
SERVICE RATING D

28-19
4/12 , 6/16
A,B=D ; K,M=B ; Bal=A

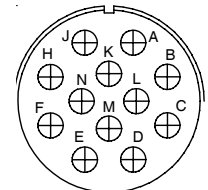
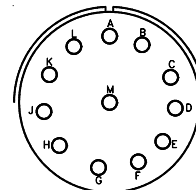
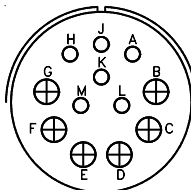
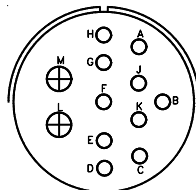
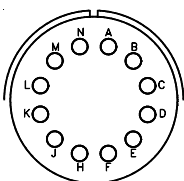
11 CONTATTI 11 CONTACTS



ARRANGEMENT 24-20
CONTACT SIZE 2/12 , 9/16
SERVICE RATING D

40-67
10/4 , 1/16
A

12 CONTATTI 12 CONTACTS



ARRANGEMENT 24-19
CONTACT SIZE 16
SERVICE RATING A

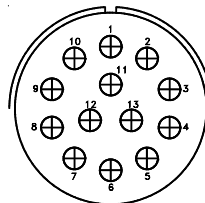
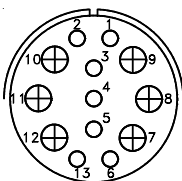
28-8*
2/12 , 10/16
B=D; L,M=E;
Bal=A

28-9
6/12 , 6/16
D

28-18
16
A,B=A;
G,H,J,K,L=D;M=C;
Bal=I

28-51
12
D

13 CONTATTI 13 CONTACTS



ARRANGEMENT 24-013*
CONTACT SIZE 6/12 , 7/16
SERVICE RATING A

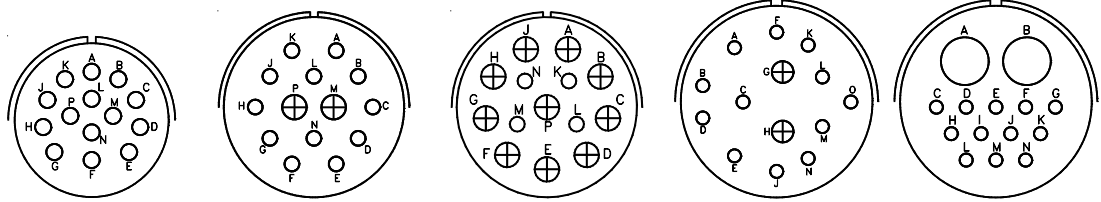
32-013
12
D

* - Consultare l'azienda / Please consult the company

LEGENDA CONTATTI CONTACT LEGEND

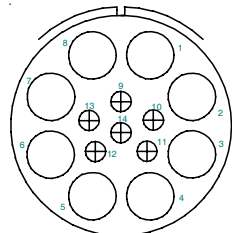


14 CONTATTI
14 CONTACTS



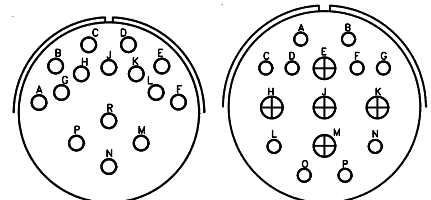
ARRANGEMENT	22-19	28-2	28-20	32-4	32-9
CONTACT SIZE	16	2/12, 12/16	10/12, 4/16	2/12, 12/16	2/4, 12/16
SERVICE RATING	A	D	A	F, J, K, N=A; Bal=D	D

ARRANGEMENT
CONTACT SIZE
SERVICE RATING



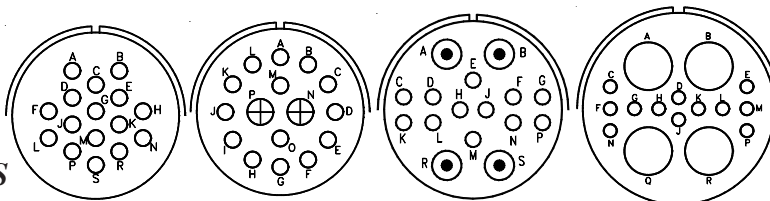
40-A14
6/12, 8/4
A

15 CONTATTI
15 CONTACTS



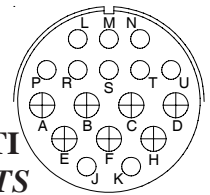
ARRANGEMENT	28-17	32-12*
CONTACT SIZE	16	5/12, 10/16
SERVICE RATING	M,N,P=D; R=B; Bal=A	C,D,E,F,G=A; Bal=D

16 CONTATTI
16 CONTACTS



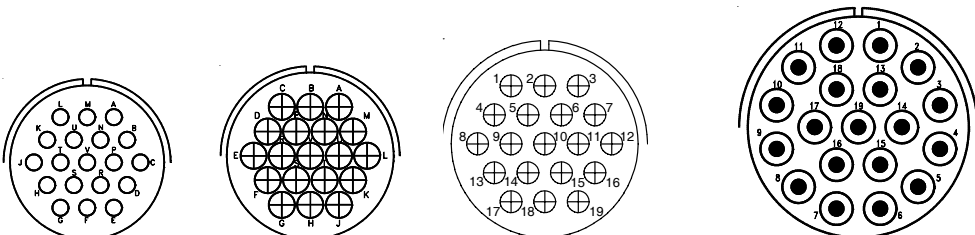
ARRANGEMENT	24-5	24-7	28-124	32-68
CONTACT SIZE	16	2/12, 14/16	12/16, 4/8	4/4, 12/16
SERVICE RATING	A	A	A	A

17 CONTATTI
17 CONTACTS



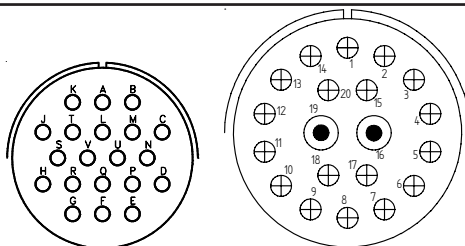
28-59
7/12, 10/16
A

19 CONTATTI
19 CONTACTS



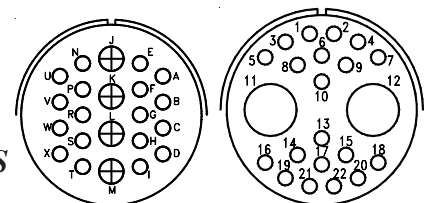
ARRANGEMENT	22-14	24-67	32-76	40-B19
CONTACT SIZE	16	12	12	8
SERVICE RATING	A	A	A	A

20 CONTATTI
20 CONTACTS



ARRANGEMENT	28-16	40-A20
CONTACT SIZE	16	2/8, 18/12
SERVICE RATING	A	D

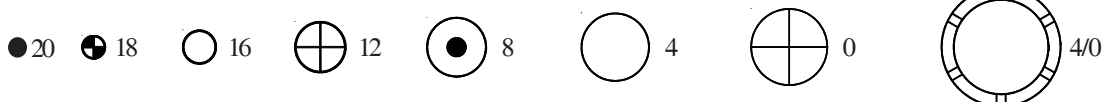
22 CONTATTI
22 CONTACTS



ARRANGEMENT	28-11	32-B22
CONTACT SIZE	4/12, 18/16	2/4, 20/16
SERVICE RATING	A	A

* - Consultare l'azienda / Please consult the company

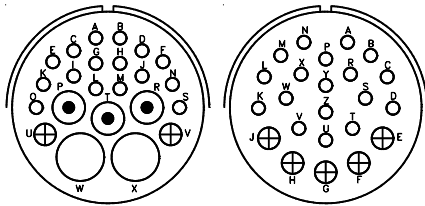
LEGENDA CONTATTI
CONTACT LEGEND



Disposizione contatti Contact arrangement

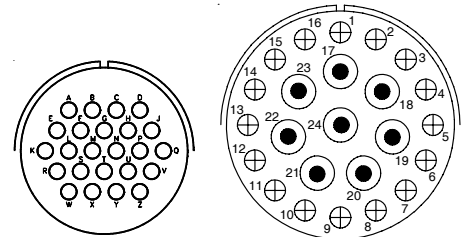


23 CONTATTI 23 CONTACTS



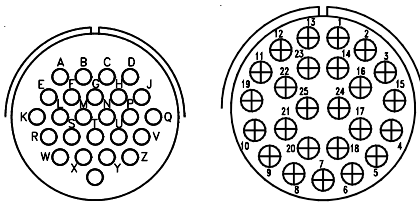
ARRANGEMENT	32-6	32-13
CONTACT SIZE	2/4, 3/8, 2/12, 16/16	5/12, 18/16
SERVICE RATING	A	D

24 CONTATTI 24 CONTACTS



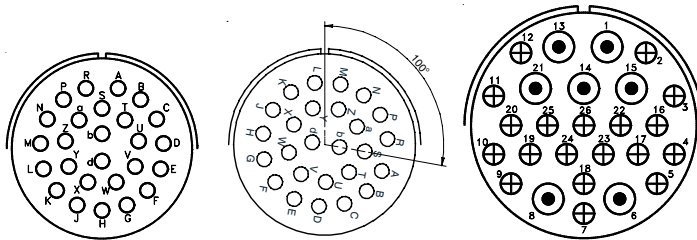
ARRANGEMENT	24-28	40-A24
CONTACT SIZE	16	8/8, 16/12
SERVICE RATING	I	D

25 CONTATTI 25 CONTACTS



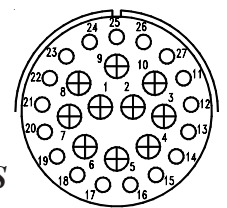
ARRANGEMENT	24-A25	32-A25
CONTACT SIZE	16	12
SERVICE RATING	A	A

26 CONTATTI 26 CONTACTS



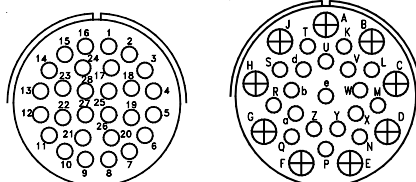
ARRANGEMENT	28-12	28-13	40-26
CONTACT SIZE	16	16	7/8, 19/12
SERVICE RATING	A	A	A

27 CONTATTI 27 CONTACTS



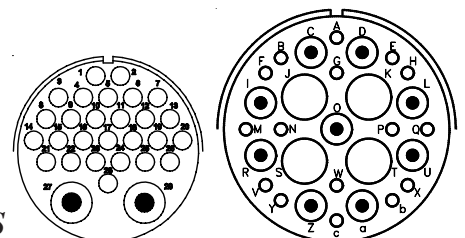
ARRANGEMENT	32-A27
CONTACT SIZE	10/12, 17/16
SERVICE RATING	A

28 CONTATTI 28 CONTACTS



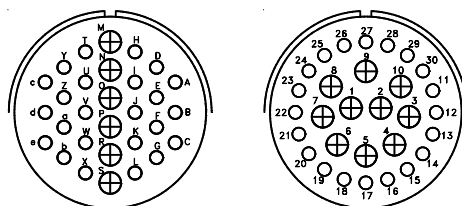
ARRANGEMENT	24-A28	28-A63
CONTACT SIZE	16	9/12, 19/16
SERVICE RATING	I	I

29 CONTATTI 29 CONTACTS



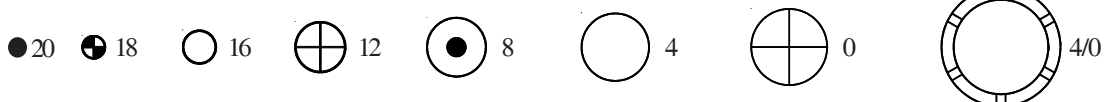
ARRANGEMENT	28-A29	40-10
CONTACT SIZE	2/8, 27/16	4/4, 9/8, 16/16
SERVICE RATING	A	A

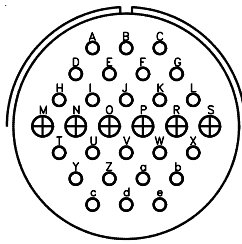
30 CONTATTI 30 CONTACTS



ARRANGEMENT	32-8	32-A30
CONTACT SIZE	6/12, 24/16	10/12, 20/16
SERVICE RATING	A	A

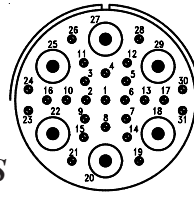
LEGENDA CONTATTI CONTACT LEGEND



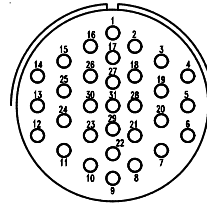


31 CONTATTI
31 CONTACTS

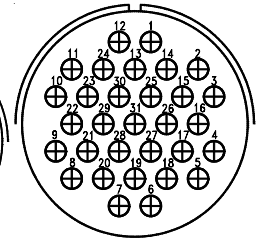
ARRANGEMENT 40-1
CONTACT SIZE 6/12, 20/16
SERVICE RATING D



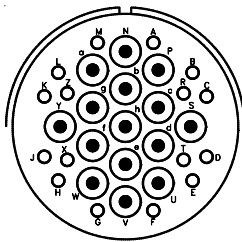
28-A31
6/8, 25/20
A



32-31
16
A

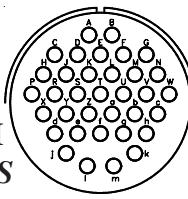


40-31
12
D

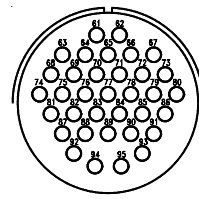


35 CONTATTI
35 CONTACTS

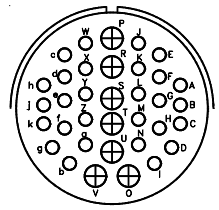
ARRANGEMENT 40-A51
CONTACT SIZE 15/8, 16/16
SERVICE RATING A



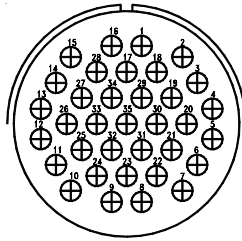
28-15
16
A



28-A35
16
A

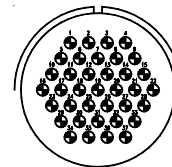


32-7
7/12, 28/16
A,B,h,j=I;
Bal=A

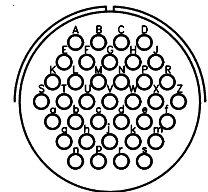


ARRANGEMENT 40-35
CONTACT SIZE 12
SERVICE RATING D

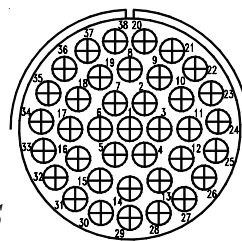
37 CONTATTI
37 CONTACTS



22-A37
18
A

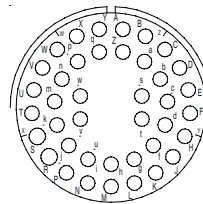


28-21
16
A



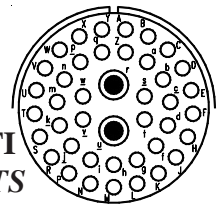
38 CONTATTI
38 CONTACTS

ARRANGEMENT 40-A38
CONTACT SIZE 12
SERVICE RATING A



40 CONTATTI
40 CONTACTS

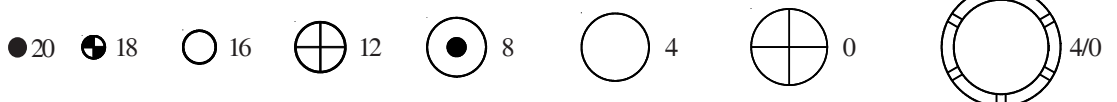
32-A40
16
A



42 CONTATTI
42 CONTACTS

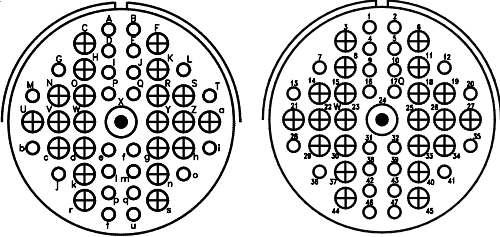
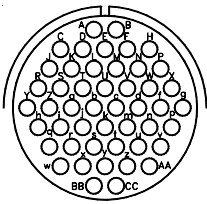
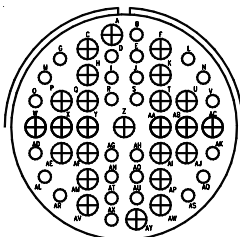
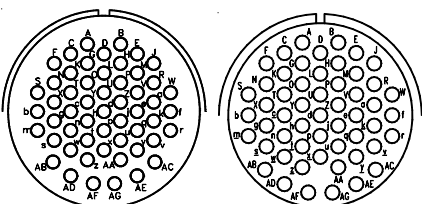
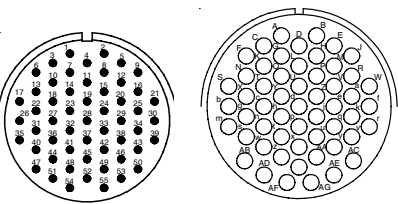
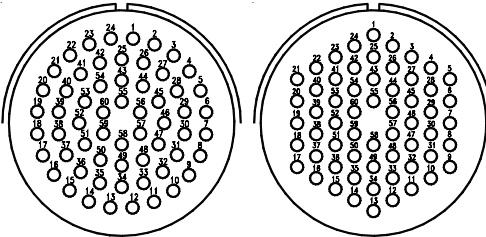
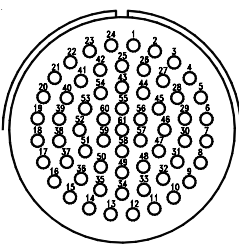
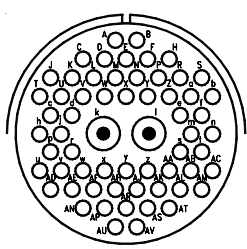
32-59
2/8, 40/16
A

LEGENDA CONTATTI
CONTACT LEGEND



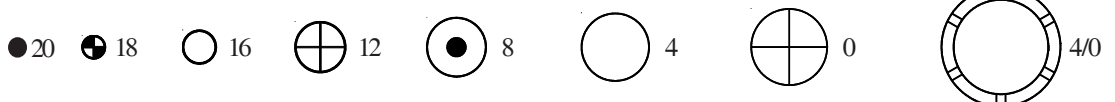
Disposizione contatti Contact arrangement

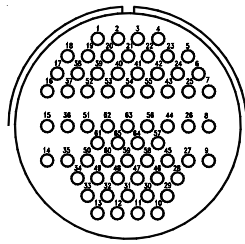


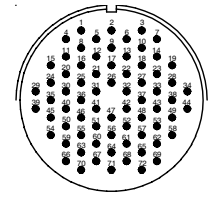
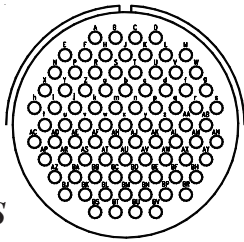
<p>47 CONTATTI 47 CONTACTS</p> <p>ARRANGEMENT CONTACT SIZE SERVICE RATING</p>	 <p>40-9 40-47</p> <p>1/8 , 22/12 , 24/16 1/8 , 22/12 , 24/16</p> <p>A A</p>	<p>48 CONTATTI 48 CONTACTS</p>  <p>32-A48</p> <p>16</p> <p>I</p>
<p>51 CONTATTI 51 CONTACTS</p> <p>ARRANGEMENT CONTACT SIZE SERVICE RATING</p>	 <p>40-951*</p> <p>25/12 , 26/16</p> <p>A</p>	<p>54 CONTATTI 54 CONTACTS</p>  <p>32-22 32-88</p> <p>16 16</p> <p>A A</p>
<p>55 CONTATTI 55 CONTACTS</p> <p>ARRANGEMENT CONTACT SIZE SERVICE RATING</p>	 <p>24-A55 32-A55</p> <p>20 16</p> <p>I A</p>	<p>60 CONTATTI 60 CONTACTS</p>  <p>40-53 40-62</p> <p>16 16</p> <p>A A</p>
<p>61 CONTATTI 61 CONTACTS</p> <p>ARRANGEMENT CONTACT SIZE SERVICE RATING</p>	 <p>40-63</p> <p>16</p> <p>A</p>	<p>62 CONTATTI 62 CONTACTS</p>  <p>40-A62</p> <p>2/8 , 60/16</p> <p>A</p>

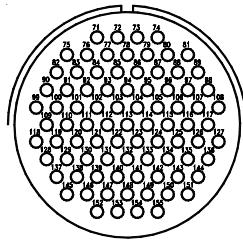
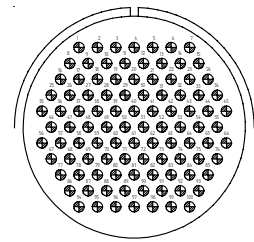
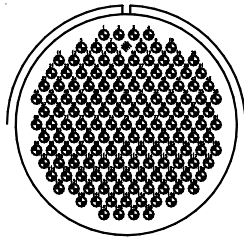
* - Consultare l'azienda / Please consult the company

LEGENDA CONTATTI CONTACT LEGEND



65 CONTATTI
65 CONTACTS

ARRANGEMENT
CONTACT SIZE
SERVICE RATING

40-A65
16
A
72 CONTATTI
72 CONTACTS

28-72
20
I
85 CONTATTI
85 CONTACTS

ARRANGEMENT
CONTACT SIZE
SERVICE RATING

40-56
16
A

40-A56
16
A
100 CONTATTI
100 CONTACTS

40-100
18
A
150 CONTATTI
150 CONTACTS

ARRANGEMENT
CONTACT SIZE
SERVICE RATING

40-150
18
I
LEGENDA CONTATTI
CONTACT LEGEND

20

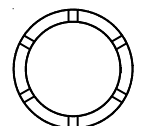
18

16

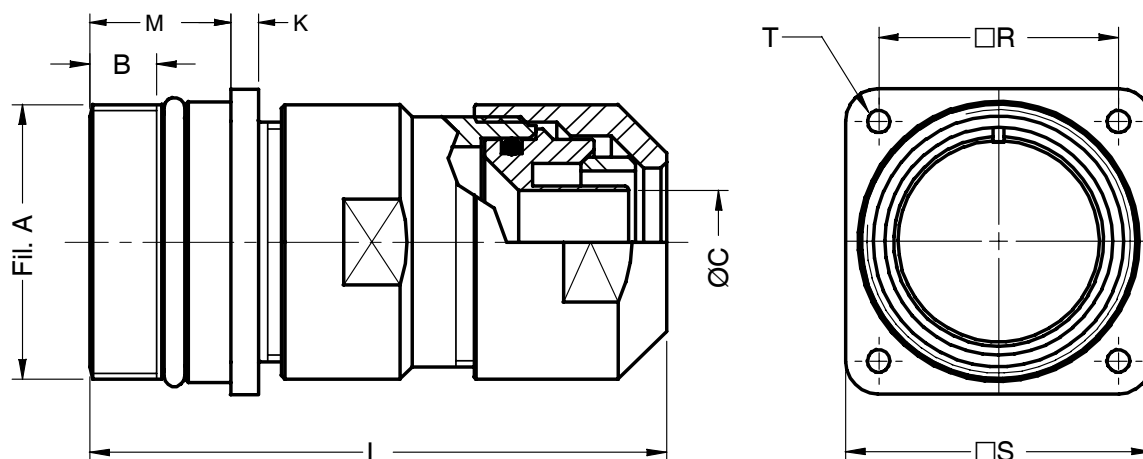
12

8

4

0

4/0

Connettore da paratia
Wall mounting receptacle



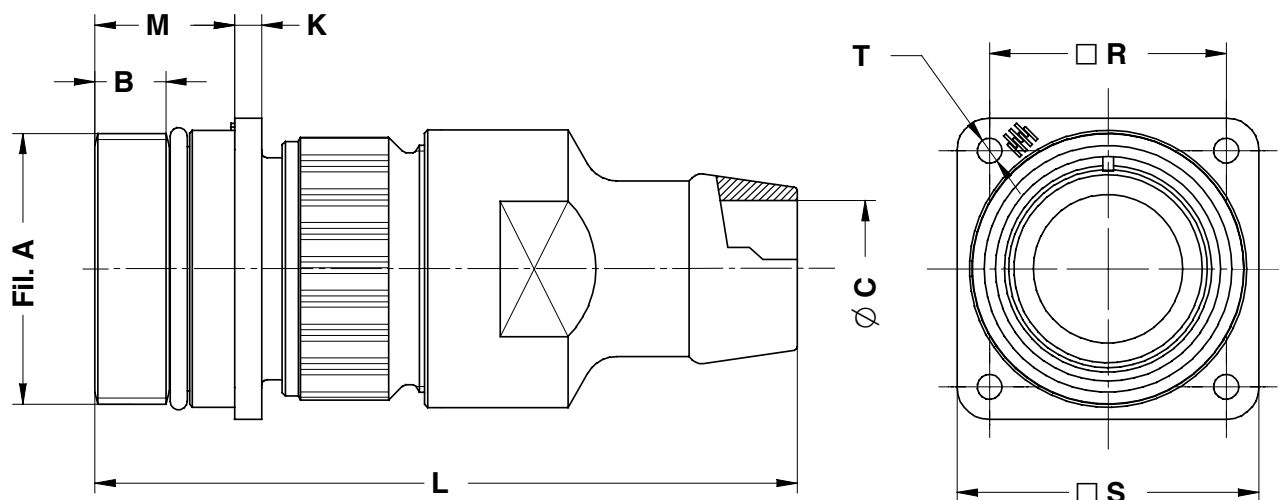
Es. / Ex. : ITZ3100R22-14PCRG21.2

Taglia Size	Taglia CRG CRG size	Filetto A A thread	B min	C min	K ±0.2	L Max	M +0.2 -0	R ±0.1	S ±0.2	T +0.1 -0
18	11.7 / 15.8	Tr30x3	9	8.5 / 11	4.0	95	19.1	27.00	35.0	3.2
22	11.7 / 21.2	Tr37x3	9	8.5 / 15	4.0	95	19.6	31.75	41.0	3.2
24	21.2 / 28.3	Tr40x3	9	15 / 22	4.0	100	20.6	34.90	44.5	3.7
28	21.2 / 28.3	Tr46x3	9	15 / 22	4.0	100	20.7	39.70	50.9	3.7

Connettore fisso a flangia quadra per montaggio da fronte pannello, dotato di serracavo per guaina plastica corrugata.
 Classe A: zoccolo isolante non fornito.
 Classe R: include zoccolo isolante.

Fixed connector with square flange, for front panel mounting, for use with plastic conduits.
Class A: no grommet supplied.
Class R: includes sealing grommet.

Connettore da paratia *Wall mounting receptacle*



Es. / Ex. : ITZ3100R22-14PD22722

Taglia Size	UNI4883 Conduits	Filetto A A thread	B min	C min	K ±0.2	L Max	M +0.2 -0	R ±0.1	S ±0.2	T +0.1 -0
18	2722	Tr 30 x 3	9	20.5	4.0	103.0	19.1	27.00	35.0	3.2
22	2722	Tr 37 x 3	9	20.5	4.0	103.0	19.6	31.75	41.0	3.2
24	3328	Tr 40 x 3	9	26.5	4.0	104.5	20.6	34.90	44.5	3.7
28	3328	Tr 46 x 3	9	26.5	4.0	111.0	20.7	39.70	50.9	3.7
32	3833	Tr 53 x 3	9	31.5	4.0	116.5	22.3	44.45	57.0	4.3
40	5045	Tr 65 x 2	9	43.5	4.0	122.0	22.3	55.50	69.9	4.3

Connettore fisso a flangia quadra per montaggio da fronte pannello, dotato di raccordo per il serraggio di tubi in gomma telata UNI 4883.

Classe A: zoccolo isolante non fornito.

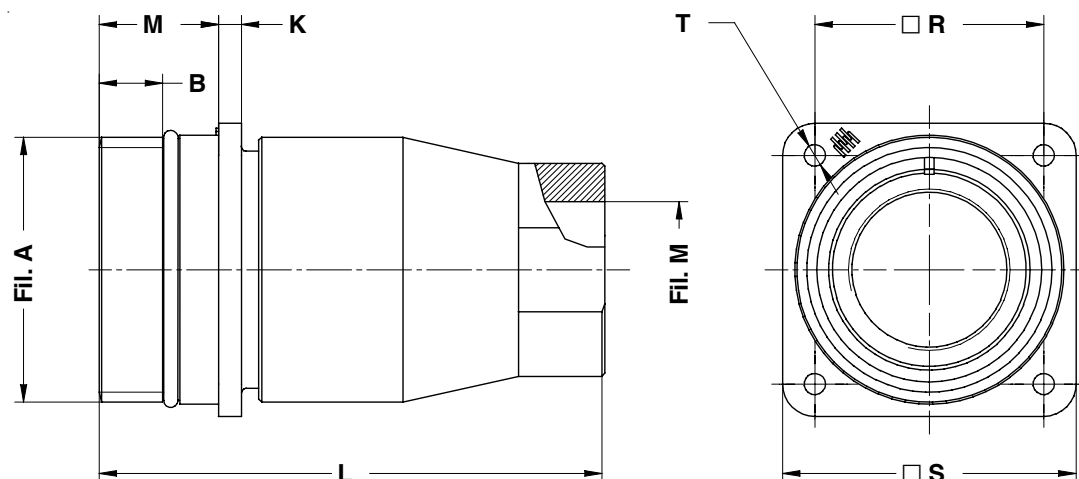
Classe R: include zoccolo isolante.

Fixed connector with square flange, for front panel mounting, for use with UNI 4883 rubber conduits.

Class A: no grommet supplied.

Class R: includes sealing grommet.

Connettore da paratia Wall mounting receptacle



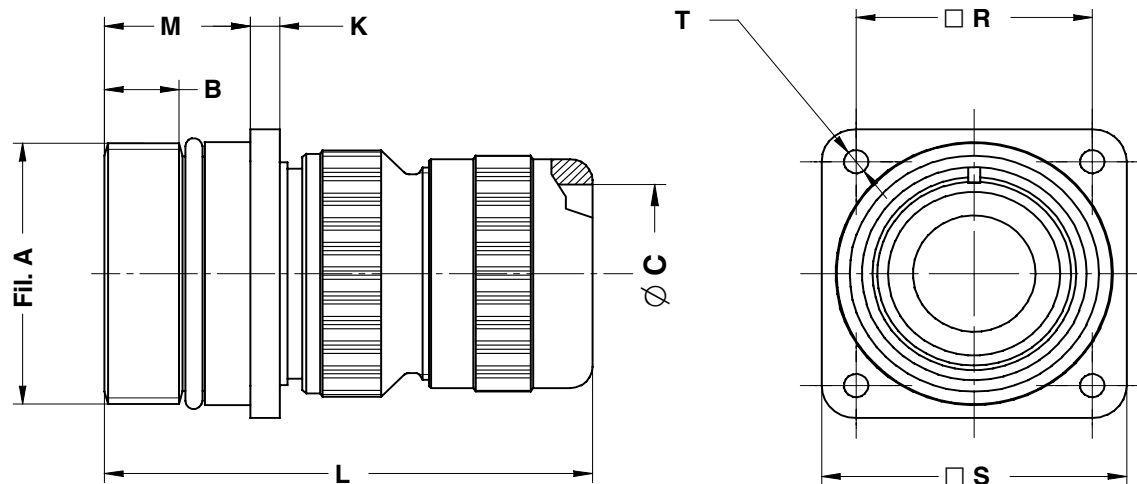
Es. / Ex. : ITZ3100A22-14PPM20

Taglia Size	Filetto M M thread	Filetto A A thread	B min	K ±0.2	L Max	M +0.2 -0	R ±0.1	S ±0.2	T +0.1 -0
18	M 16 x 1,5	Tr 30 x 3	9	4.0	71	19.1	27.00	35.0	3.2
22	M 20 x 1,5	Tr 37 x 3	9	4.0	75	19.6	31.75	41.0	3.2
24	M 20 x 1,5	Tr 40 x 3	9	4.0	77	20.6	34.90	44.5	3.7
28	M 25 x 1,5	Tr 46 x 3	9	4.0	81	20.7	39.70	50.9	3.7
32	M 32 x 1,5	Tr 53 x 3	9	4.0	87	22.3	44.45	57.0	4.3
40	M 40 x 1,5	Tr 65 x 2	9	4.0	97	22.3	55.50	69.9	4.3

Connettore fisso a flangia quadra per montaggio da fronte pannello con adattatore per serracavo metrico, non incluso. Altri tipi di adattatori possono essere forniti nelle varie taglie a richiesta.
 Fornito senza zoccolo isolante.

*Fixed connector with square flange, for front panel mounting with adaptor for metric cable glands (not included). Other types of adaptors can be supplied in various sizes upon request.
 No grommet supplied.*

Connettore da paratia Wall mounting receptacle



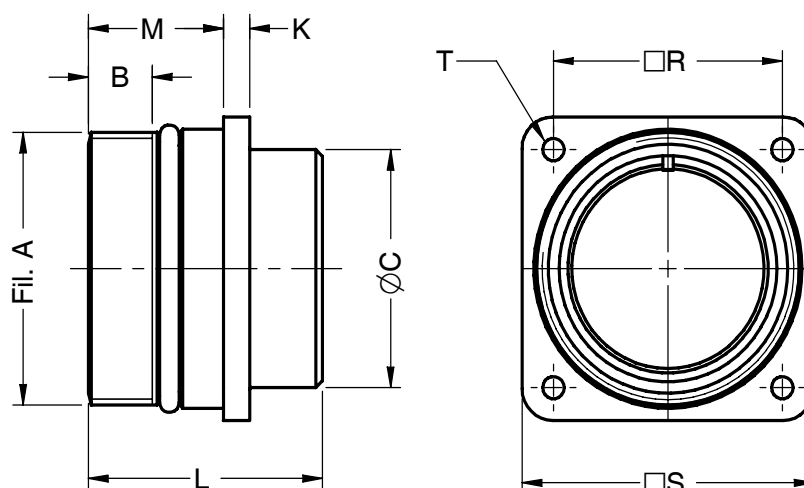
Es./Ex. : ITZ3100A22-14PPHM18

Taglia Size	P.N. PHM	Filetto A A thread	B min	C min - max	K ±0.2	L Max	M +0.2 -0	R ±0.1	S ±0.2	T +0.1 -0
18	18	Tr30x3	9	2÷16.5	4.0	70	19.1	27.00	35.0	3.2
22	18	Tr37x3	9	2÷16.5	4.0	70	19.6	31.75	41.0	3.2
24	18	Tr40x3	9	2÷16.5	4.0	80	20.6	34.90	44.5	3.7
28	18/ 22	Tr46x3	9	2÷16.5/ 15÷20	4.0	80	20.7	39.70	50.9	3.7
32	22/ 24	Tr53x3	9	15÷20/ 19÷24	4.0	80	22.3	44.45	57.0	4.3
40	35	Tr65x2	9	23÷35	4.0	95	22.3	55.50	69.9	4.3

Connettore fisso a flangia quadra per montaggio da fronte pannello. Fornito completo di serracavo PHM. Garantisce una ottima tenuta meccanica sul cavo e ambientale se provvisto di appositi O-Ring.
Zoccolo isolante non fornito.

*Fixed connector with square flange, for front panel mounting.
Includes a PHM cable clamp that assures an excellent mechanical and waterproof seal if used with the correct neoprene sealing sleeves.
No grommet supplied.*

Connettore da paratia
Wall mounting receptacle



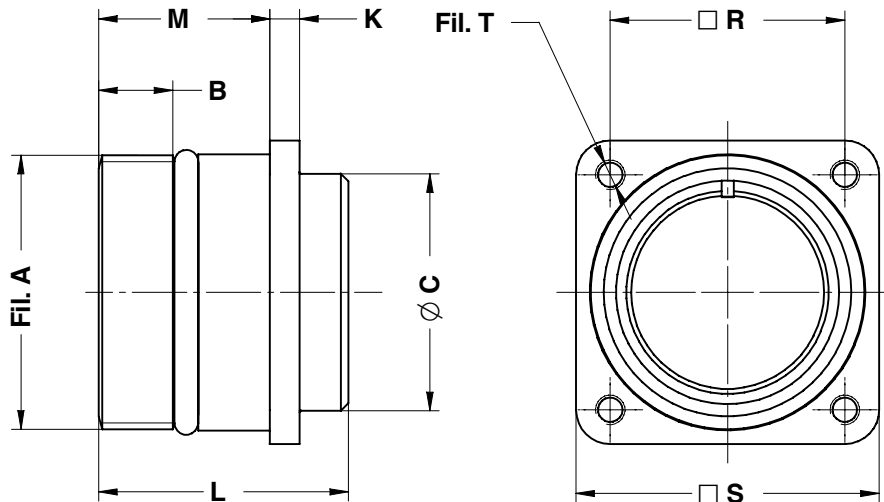
Es. / Ex. : ITZ3102R22-14P

Taglia Size	Filetto A A thread	B min.	C +0.2 -0	K ±0.2	L ±0.2	M +0.2 -0	R ±0.1	S ±0.2	T
18	Tr30x3	9	25.2	4.0	34.2	19.1	27.00	35.0	3.2
22	Tr37x3	9	31.7	4.0	34.2	19.6	31.75	41.0	3.2
24	Tr40x3	9	34.9	4.0	35.7	20.6	34.90	44.5	3.7
28	Tr46x3	9	41.4	4.0	35.7	20.7	39.70	50.9	3.7
32	Tr53x3	9	47.8	4.0	37.3	22.3	45.55	57.0	4.3
40	Tr65x2	9	58.7	4.0	37.3	22.3	55.50	69.9	4.3

Connettore fisso a flangia quadra per
montaggio da fronte pannello.

*Fixed connector with square flange, for
front panel mounting.*

Connettore da pannello
Box mounting receptacle



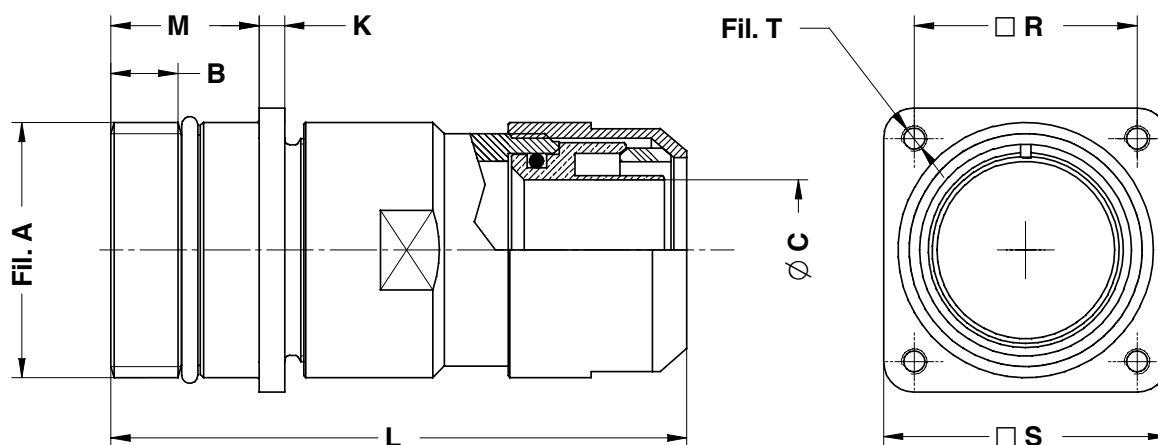
Es. / Ex. : ITZ3103R22-14P

Taglia Size	Filetto A A thread	B min.	C +0.2 -0	K ±0.2	L ±0.2	M +0.2 -0	R ±0.1	S ±0.2	Fil. T T thread
18	Tr30x3	9	25.2	4.0	34.2	23.2	27.00	35.0	M4
22	Tr37x3	9	31.7	4.0	34.2	23.2	31.75	41.0	M4
24	Tr40x3	9	34.9	4.0	35.7	23.2	34.90	44.5	M4
28	Tr46x3	9	41.4	4.0	35.7	24.4	39.70	50.9	M5
32	Tr53x3	9	47.8	4.0	37.3	24.2	45.55	57.0	M5
40	Tr65x2	9	58.7	4.0	37.3	24.4	55.50	69.9	M5

Connettore fisso a flangia quadra per montaggio da retro pannello.

Fixed connector with square flange, for rear panel mounting.

Connettore da pannello
Box mounting receptacle



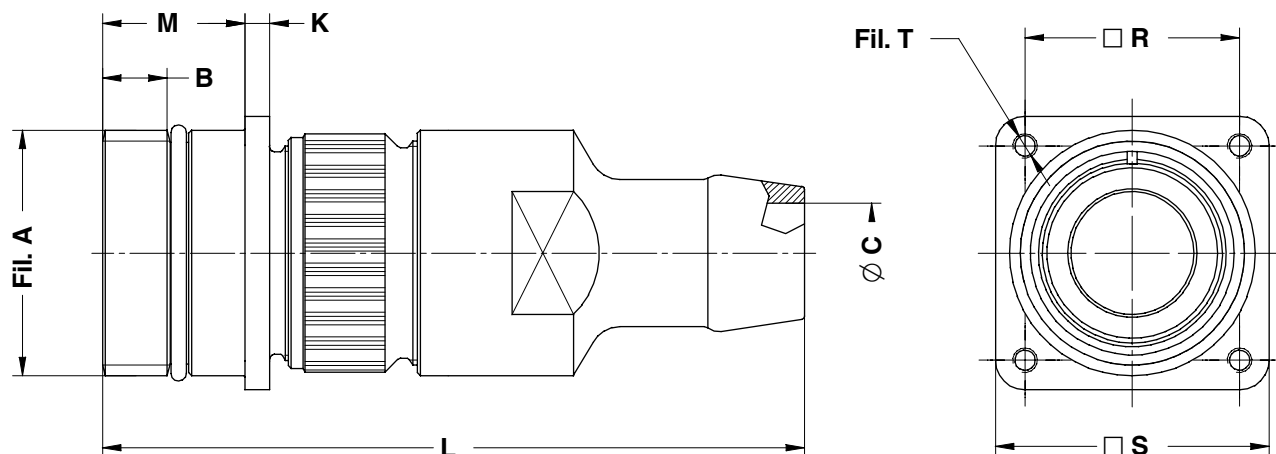
Es./Ex. : ITZ31030A22-14PCRG21.2

Taglia Size	Taglia CRG CRG size	Filetto A A thread	B min	C min	K ±0.2	L Max	M +0.2 -0	R ±0.1	S ±0.2	Fil.T +0.1 -0
18	11.7 / 15.8	Tr 30 x 3	9	8.5 / 11	4.0	100	23.2	27.00	35.0	M4
22	11.7 / 21.2	Tr 37 x 3	9	8.5 / 15	4.0	100	23.2	31.75	41.0	M4
24	21.2 / 28.3	Tr 40 x 3	9	15 / 22	4.0	105	23.2	34.90	44.5	M4
28	21.2 / 28.3	Tr 46 x 3	9	15 / 22	4.0	105	24.4	39.70	50.9	M5

Connettore fisso a flangia quadra per montaggio da retro pannello, dotato di serracavo per guaina plastica corrugata.
 Classe A: zoccolo isolante non fornito.
 Classe R: include zoccolo isolante.

Fixed connector with square flange, for rear panel mounting, for use with plastic conduits.
Class A: no grommet supplied.
Class R: includes sealing grommet.

Connettore da pannello
Box mounting receptacle



Es. / Ex. : ITZ31030A22-14PD22722

Taglia Size	UNI4883 Conduits	Filetto A A thread	B min	C min	K ±0.2	L Max	M +0.2 -0	R ±0.1	S ±0.2	Fil. T T thread
18	2722	Tr30x3	9	20.5	4.0	108.0	23.2	27.00	35.0	M4
22	2722	Tr37x3	9	20.5	4.0	108.0	23.2	31.75	41.0	M4
24	3328	Tr40x3	9	26.5	4.0	109.5	23.2	34.90	44.5	M4
28	3328	Tr46x3	9	26.5	4.0	116.0	24.4	39.70	50.9	M5
32	3833	Tr53x3	9	31.5	4.0	121.5	24.2	44.45	57.0	M5
40	5045	Tr65x2	9	43.5	4.0	127.0	24.4	55.50	69.9	M5

Connettore fisso a flangia quadra per montaggio da retro pannello, dotato di raccordo per il serraggio di tubi in gomma telata UNI 4883.

Classe A: zoccolo isolante non fornito.

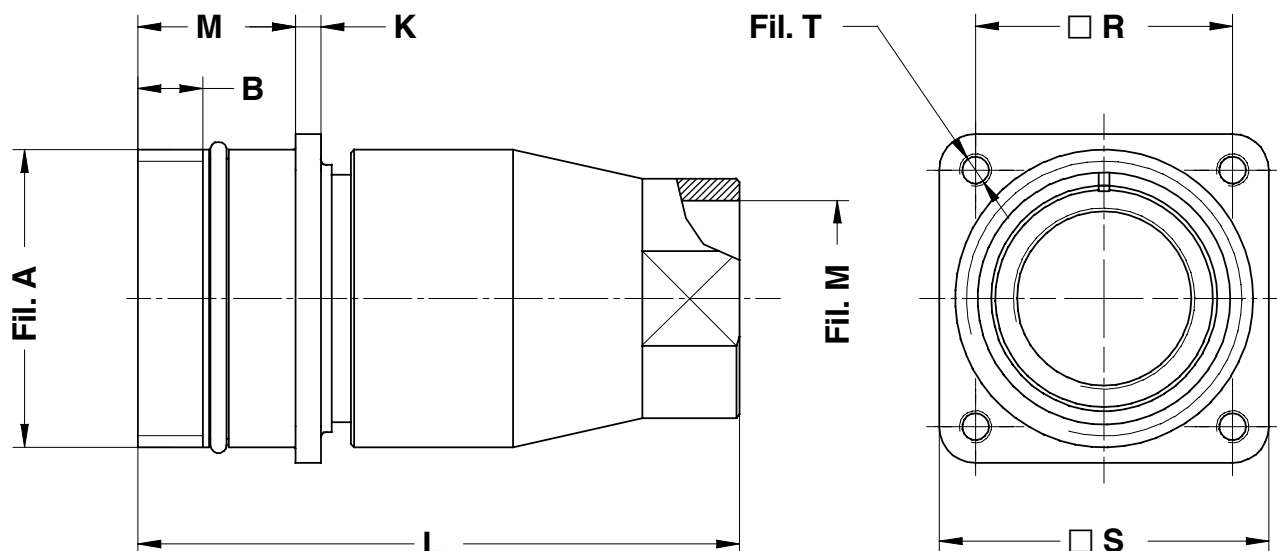
Classe R: include zoccolo isolante.

Fixed connector with square flange, for rear panel mounting, for use with UNI 4883 rubber conduits.

Class A: no grommet supplied.

Class R: includes sealing grommet.

Connettore da pannello
Box mounting receptacle



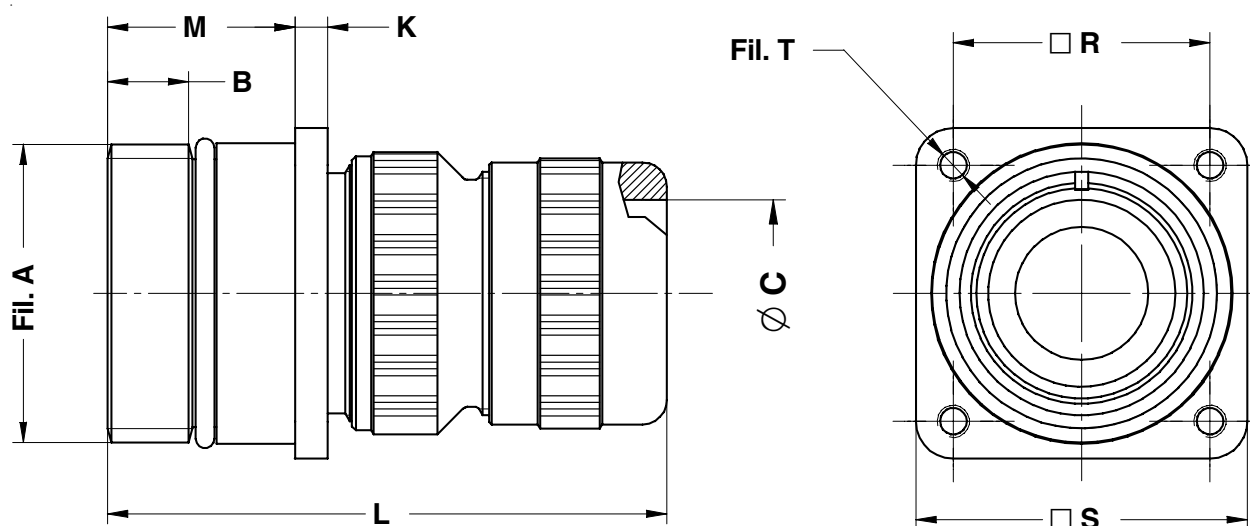
Es./Ex. : ITZ31030A22-14PPM20

Taglia Size	Filetto M M thread	Filetto A A thread	B min	K ±0.2	L Max	M +0.2 -0	R ±0.1	S ±0.2	Fil. T T thread
18	M 16 x 1,5	Tr 30 x 3	9	4.0	76	23.2	27.00	35.0	M4
22	M 20 x 1,5	Tr 37 x 3	9	4.0	80	23.2	31.75	41.0	M4
24	M 20 x 1,5	Tr 40 x 3	9	4.0	82	23.2	34.90	44.5	M4
28	M 25 x 1,5	Tr 46 x 3	9	4.0	86	24.4	39.70	50.9	M5
32	M 32 x 1,5	Tr 53 x 3	9	4.0	92	24.2	44.45	57.0	M5
40	M 40 x 1,5	Tr 65 x 2	9	4.0	102	24.4	55.50	69.9	M5

Connettore fisso a flangia quadra per montaggio da retro pannello con adattatore per serracavo metrico, non incluso. Altri tipi di adattatori possono essere forniti nelle varie taglie a richiesta.
 Fornito senza zoccolo isolante.

*Fixed connector with square flange, for rear panel mounting with adaptor for metric cable glands (not included). Other types of adaptors can be supplied in various sizes upon request.
 No grommet supplied.*

Connettore da pannello
Box mounting receptacle



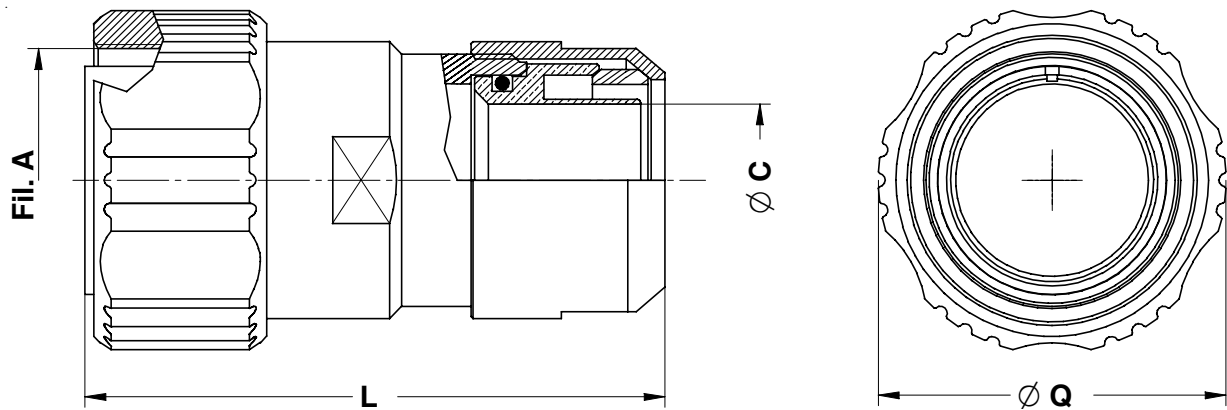
Es. / Ex. : ITZ31030A22-14PPHM18

Taglia Size	P.N. PHM	Filetto A A thread	B min	C min - max	K ±0.2	L Max	M +0.2 -0	R ±0.1	S ±0.2	Fil. T T thread
18	18	Tr30x3	9	2÷16.5	4.0	75	23.2	27.00	35.0	M4
22	18	Tr37x3	9	2÷16.5	4.0	75	23.2	31.75	41.0	M4
24	18	Tr40x3	9	2÷16.5	4.0	85	23.2	34.90	44.5	M4
28	18/22	Tr46x3	9	2÷16.5/ 15÷20	4.0	85	24.4	39.70	50.9	M5
32	22/24	Tr53x3	9	15÷20/ 19÷24	4.0	85	24.2	44.45	57.0	M5
40	35	Tr65x2	9	23÷35	4.0	100	24.4	55.50	69.9	M5

Connettore fisso a flangia quadra per montaggio da retro pannello. Fornito completo di serracavo PHM. Garantisce una ottima tenuta meccanica sul cavo e ambientale se provvisto di appositi O-Ring.
 Zoccolo isolante non fornito.

*Fixed connector with square flange, for rear panel mounting.
 Includes a PHM cable clamp that assures an excellent mechanical and waterproof seal if used with the correct neoprene sealing sleeves.
 No grommet supplied.*

Connettore volante diritto
Straight plug



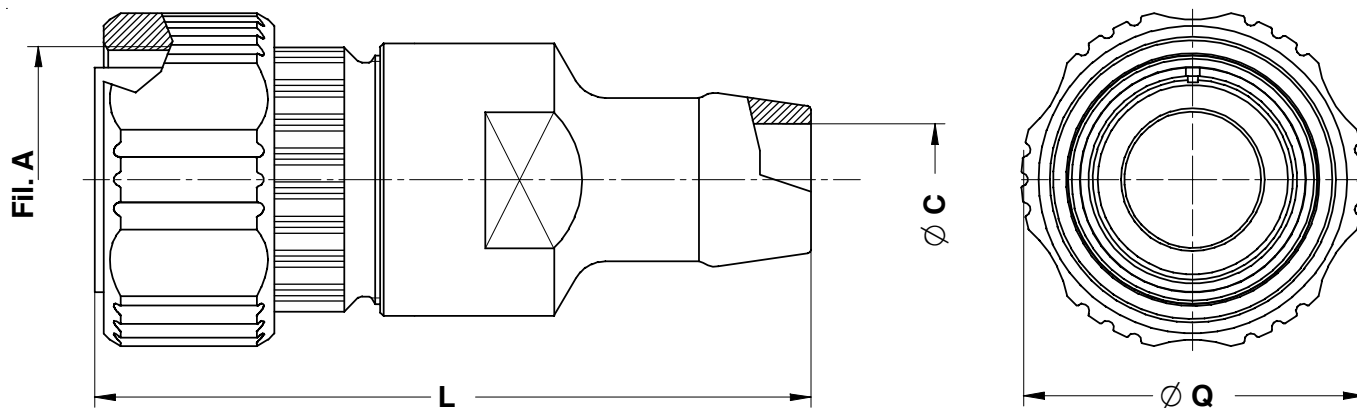
Es./Ex.: ITZ3106A22-14PCRG21.2

Taglia Size	Taglia CRG CRG size	Filetto A A thread	C min	L Max.	Q ±0.1
18	11.7 / 15.8	Tr30x3	8.5 / 11	100	36
22	11.7 / 21.2	Tr37x3	8.5 / 15	100	43
24	21.2 / 28.3	Tr40x3	15 / 22	105	46
28	21.2 / 28.3	Tr46x3	15 / 22	105	53

Connettore volante diritto, dotato di serracavo per guaina plastica corrugata.
 Classe A: zoccolo isolante non fornito.
 Classe R: include zoccolo isolante.

*Straight plug, for use with plastic conduits.
 Class A: no grommet supplied .
 Class R: includes sealing grommet.*

Connettore volante diretto
Straight plug



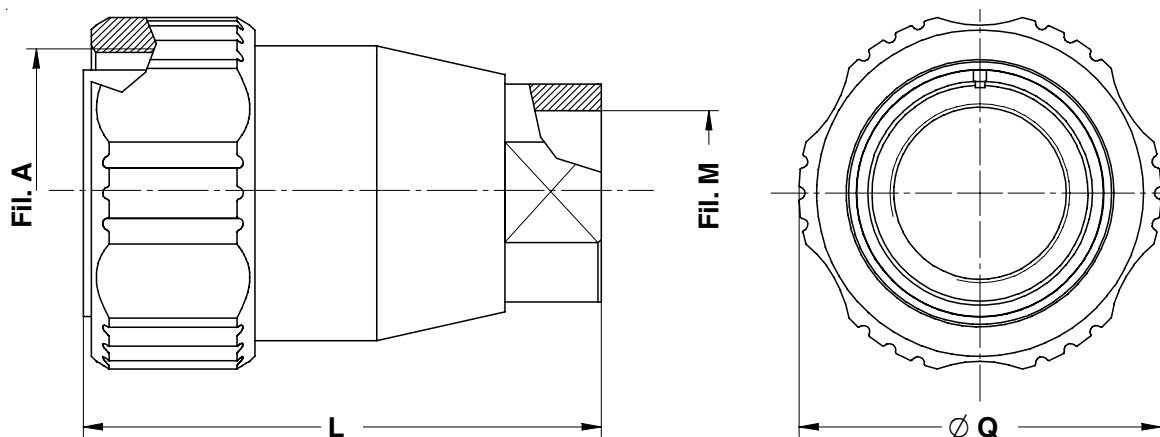
Es./ Ex. : ITZ3106A22-14PD22722

Taglia Size	UNI 4883 Conduits	Filetto A A thread	C min	L Max.	Q ±0.1
18	2722	Tr30 x 3	20.5	103.0	36
22	2722	Tr37 x 3	20.5	103.0	43
24	3328	Tr40 x 3	26.5	104.5	46
28	3328	Tr46 x 3	26.5	111.0	53
32	3833	Tr53 x 3	31.5	116.5	60
40	5045	Tr65 x 2	43.5	122.0	72

Connettore volante diretto, dotato di raccordo per tubo in gomma telata UNI 4883.
 Classe A: zoccolo isolante non fornito.
 Classe R: include zoccolo isolante.

Straight plug, for use with UNI 4883 rubber conduits.
Class A: no grommet supplied .
Class R: includes sealing grommet.

Connettore volante diretto
Straight plug



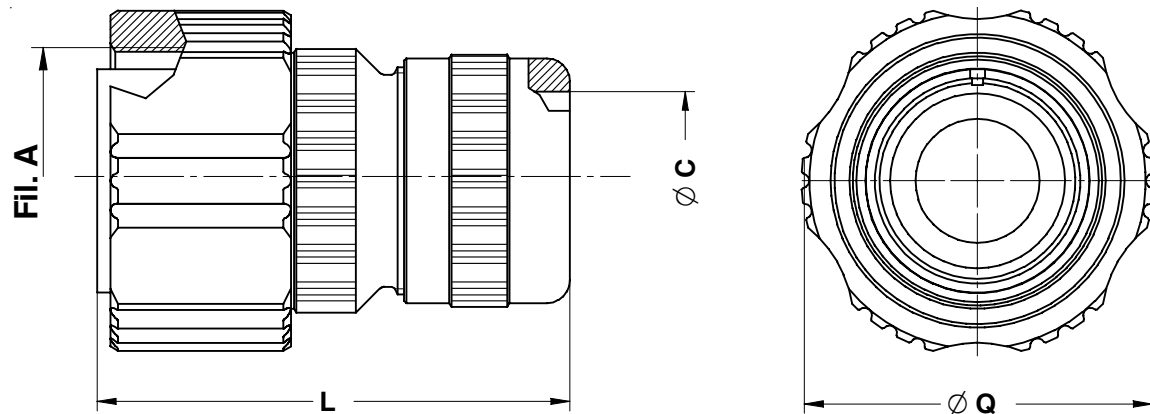
Es. / Ex. : ITZ3106A22-14PPM20

Taglia Size	Filetto M M thread	Filetto A A thread	L Max.	Q ±0.1
18	M 16 x 1,5	Tr 30 x 3	72	36
22	M 20 x 1,5	Tr 37 x 3	75	43
24	M 20 x 1,5	Tr 40 x 3	77	46
28	M 25 x 1,5	Tr 46 x 3	82	53
32	M 32 x 1,5	Tr 53 x 3	87	60
40	M 40 x 1,5	Tr 65 x 2	97	72

Connettore volante diretto, con adattatore per serracavo metrico, non incluso. Altri tipi di adattatori possono essere forniti nelle varie taglie a richiesta.
 Zoccolo isolante non fornito.

*Straight plug, with adaptor for metric cable glands (not included). Other types of adaptors can be supplied in various sizes upon request.
 No grommet supplied.*

Connettore volante diritto
Straight plug



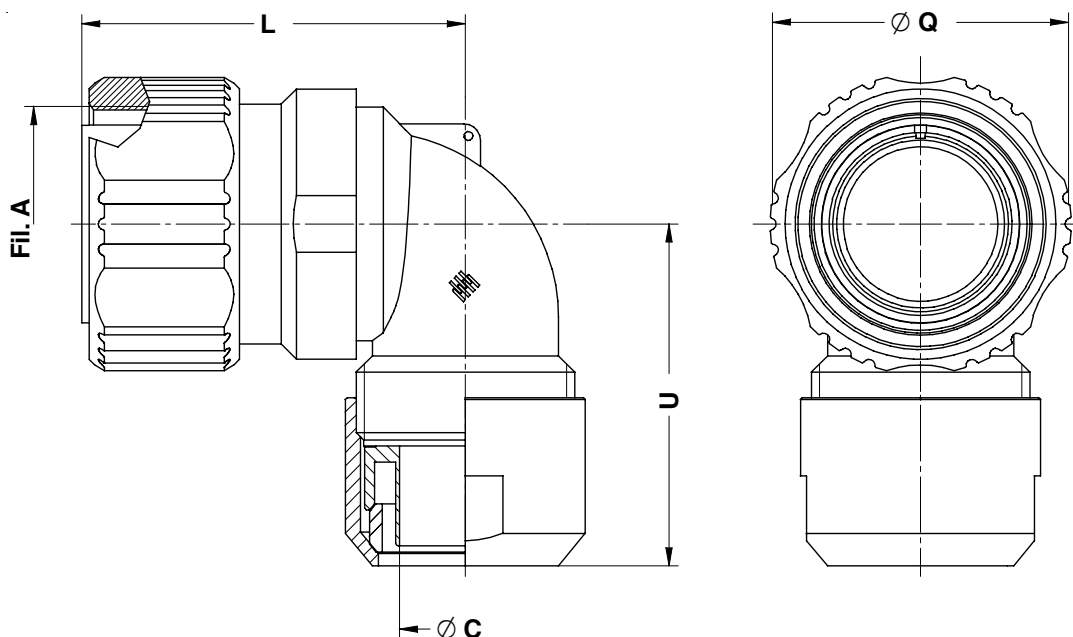
Es./Ex. : ITZ3106A22-14PPHM18

Taglia Size	P.N. PHM	Filetto A A thread	C min - max	L Max.	Q ±0.1
18	18	Tr30x3	2÷16.5	70	36
22	18	Tr37x3	2÷16.5	70	43
24	18	Tr40x3	2÷16.5	80	46
28	18 / 22	Tr46x3	2÷16.5 / 15÷20	80	53
32	22 / 24	Tr53x3	15÷20 / 19÷24	80	60
40	35	Tr65x2	23÷35	95	72

Connettore volante diritto. Fornito completo di serracavo PHM. Garantisce una ottima tenuta meccanica sul cavo e ambientale se provvisto di appositi O-Ring.
 Zoccolo isolante non fornito.

*Straight plug. Includes a PHM cable clamp that assures an excellent mechanical and waterproof seal if used with the correct neoprene sealing sleeves.
 No grommet supplied.*

Connettore volante curvo
90° plug



Es./Ex.: ITZ3108A22-14PCRG21.2

Taglia Size	Taglia CRG CRG size	Filetto A A thread	C min.	L ±0.2	Q ±0.1	U Max.
18	11.7 / 15.8	Tr 30 x 3	8.5 / 11	34.2	36	59
22	11.7 / 21.2	Tr 37 x 3	8.5 / 15	34.2	43	60
24	21.2 / 28.3	Tr 40 x 3	15 / 22	35.7	46	60
28	21.2 / 28.3	Tr 46 x 3	15 / 22	35.7	53	65

Connettore volante con uscita cavo a 90°, dotato di serracavo per guaina plastica corrugata.

Classe A: zoccolo isolante non fornito.

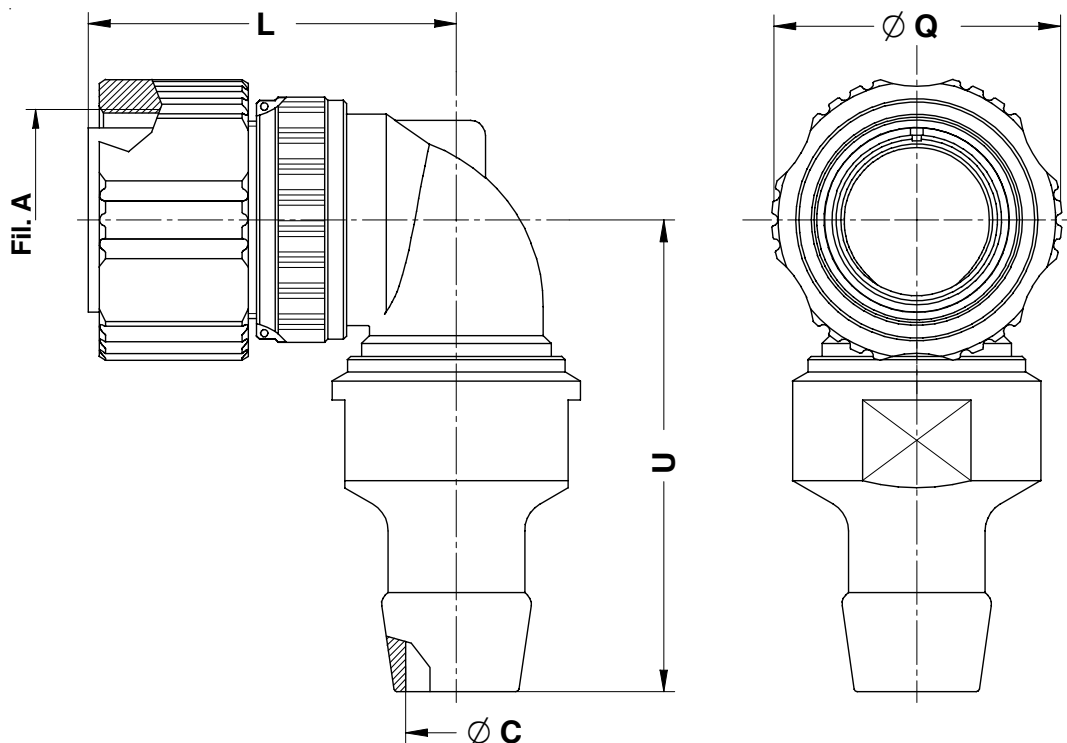
Classe R: include zoccolo isolante.

Plug with 90° backshell, for use with plastic conduits.

Class A: no grommet supplied.

Class R: includes sealing grommet.

Connettore volante curvo
90° plug



Es. / Ex. : ITZ3108A22-14PD22722

Taglia Size	UNI 4883 Conduits	Filetto A A thread	C min.	L ±0.2	Q ±0.1	U Max.
18	2722	Tr30x3	20.5	34.2	36	80.0
22	2722	Tr37x3	20.5	34.2	43	82.0
24	3328	Tr40x3	26.5	35.7	46	87.0
28	3328	Tr46x3	26.5	35.7	53	88.0
32	3833	Tr53x3	31.5	72.0	60	95.5
40	5045	Tr65x2	43.5	77.5	72	102.0

Connettore volante con uscita cavo a 90°, dotato di raccordo per il serraggio di tubi in gomma telata UNI 4883.

Classe A: zoccolo isolante non fornito.

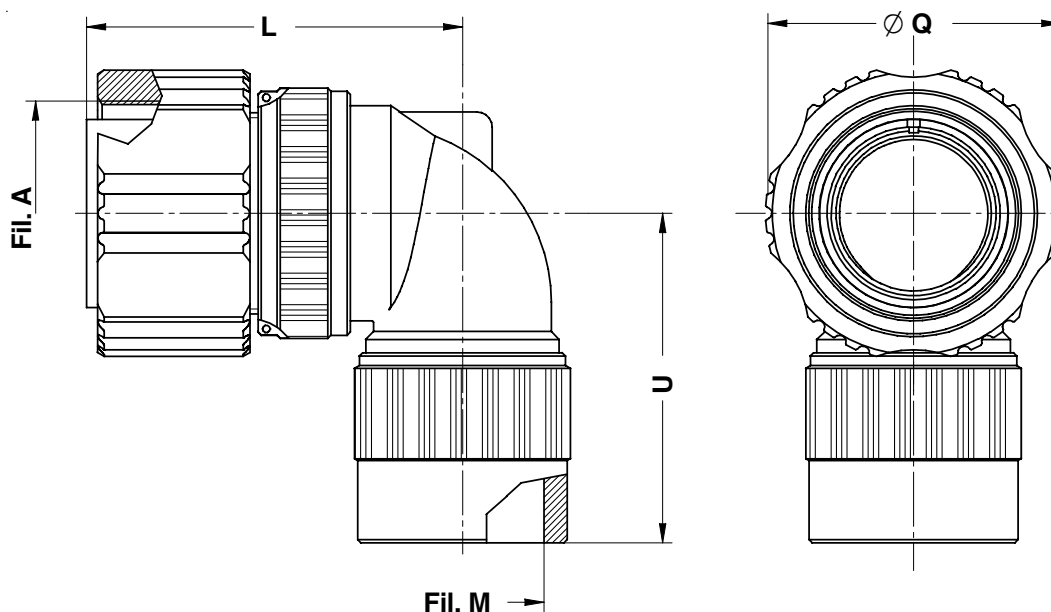
Classe R: include zoccolo isolante.

Plug with 90° backshell, for use with UNI 4883 rubber conduits.

Class A: no grommet supplied.

Class R: includes sealing grommet.

Connettore volante curvo
90° plug



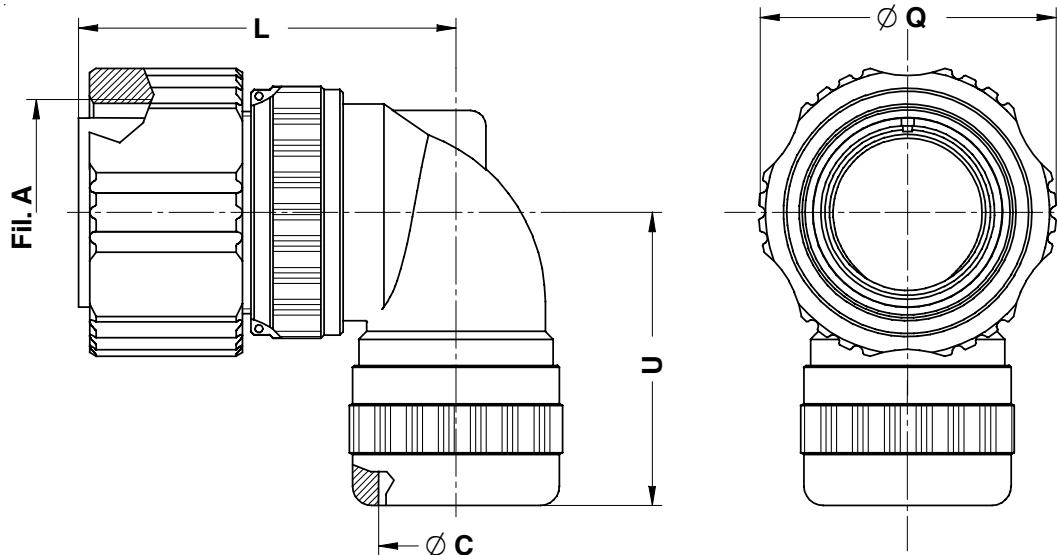
Es. / Ex. : ITZ3108A22-14PPM20

Taglia Size	Filetto M M thread	Filetto A A thread	L ±0.2	Q ±0.1	U Max.
18	M 16 x 1,5	Tr 30 x 3	34.2	36	59
22	M 20 x 1,5	Tr 37 x 3	34.2	43	60
24	M 20 x 1,5	Tr 40 x 3	35.7	46	60
28	M 25 x 1,5	Tr 46 x 3	35.7	53	65
32	M 32 x 1,5	Tr 53 x 3	72.0	60	78
40	M 40 x 1,5	Tr 65 x 2	77.5	72	90

Connettore volante con uscita cavo a 90°, con adattatore per serracavo metrico, non incluso. Altri tipi di adattatori possono essere forniti nelle varie taglie a richiesta. Zoccolo isolante non fornito.

Plug with 90° backshell and adaptor for metric cable glands (not included). Other types of adaptors can be supplied in various sizes upon request. No grommet supplied.

Connettore volante curvo 90° plug



Es./Ex. : ITZ3108A22-14PPHM18

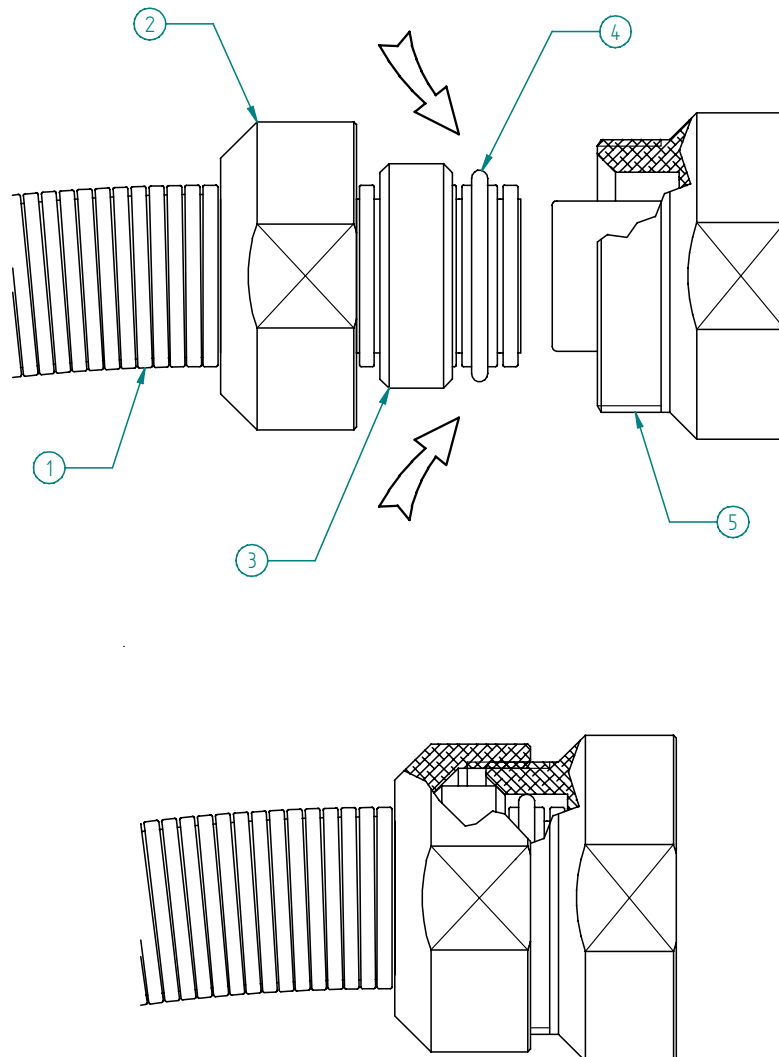
Taglia Size	P.N. PHM	Filetto A A thread	C min - max	L ±0.2	Q ±0.1	U Max.
18	18	Tr30x3	2÷16.5	34.2	36	47.0
22	18	Tr37x3	2÷16.5	34.2	43	49.0
24	18	Tr40x3	2÷16.5	35.7	46	58.0
28	18 / 22	Tr46x3	2÷16.5 / 15÷20	35.7	53	59.0
32	22 / 24	Tr53x3	15÷20 / 19÷24	72.0	60	70.5
40	35	Tr65x2	23÷35	77.5	72	77.0

Connettore volante con uscita cavo a 90°. Fornito completo di serracavo PHM. Garantisce una ottima tenuta meccanica sul cavo e ambientale se provvisto di appositi O-Ring. Zoccolo isolante non fornito.

Plug with 90° backshell. Includes a PHM cable clamp that assures an excellent mechanical and waterproof seal if used with the correct neoprene sealing sleeves. No grommet supplied.

Istruzioni di assemblaggio guaina corrugata

Wrinkled conduit assembly instructions



Disporre sulla guaina (1) i componenti dell'adattatore come da figura.

Posizionare l'O-ring (4) sulla seconda cava della guaina.

Posizionare l'estremità della guaina sull'adattatore (5) facilitando l'inserimento dell'O-ring con le dita e spingere fino a battuta.

Posizionare il cono (3) contro l'adattatore.

Avvitare la ghiera (2) sull'adattatore per mezzo delle apposite chiavi.

Arrange the components of the adaptor over the conduit as shown.

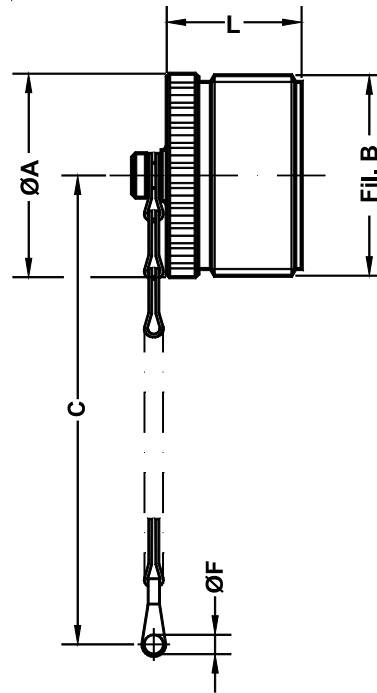
Place the O-ring on the 2nd cavity of the conduit.

Put the edge of the conduit on the adaptor and push until it stops, helping the insertion of the O-ring with the fingers.

Place the cone against the adaptor.

Thread the nut on the adaptor with the right keys.

Tappo per connettori volanti
Cap for plug connectors

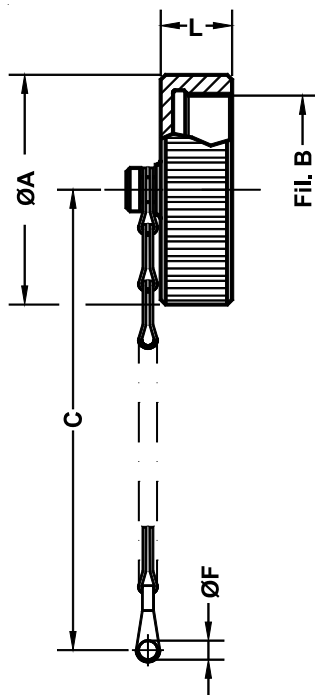


Codice Part Number	Taglia Size	ØA	Filetto B B thread	C min	ØF +0.25 -0.13	L
ITZ 06T-18	18	30.0	Tr30 x 3	115	3.95	21.4
ITZ 06T-22	22	36.4	Tr37 x 3	127	4.80	21.4
ITZ 06T-24	24	39.6	Tr40 x 3	140	4.80	21.4
ITZ 06T-28	28	46.0	Tr46 x 3	197	4.80	21.4
ITZ 06T-32	32	52.0	Tr53 x 3	197	5.60	21.4
ITZ 06T-40	40	65.0	Tr65 x 2	197	5.60	21.4

Tappo metallico con catena in acciaio inox.

Metal cap with stainless steel chain.

Tappo per connettori da pannello
Cap for receptacle connectors

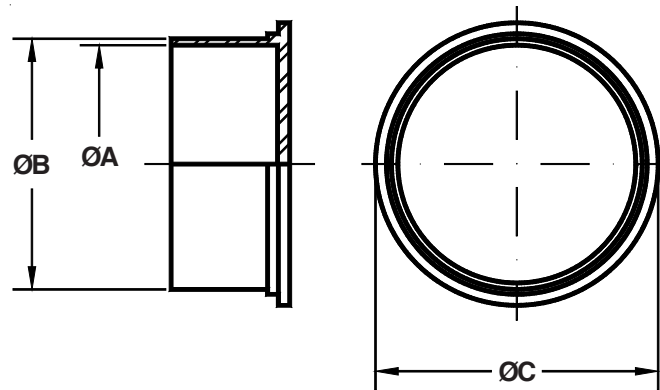


Codice <i>Part Number</i>	Taglia <i>Size</i>	ØA	Filetto B <i>B thread</i>	C <i>min</i>	ØF <i>+0.25</i> <i>-0.13</i>	L
ITZ 02T-18	18	34.1	Tr 30 x 3	115	3.55	11.9
ITZ 02T-22	22	40.4	Tr 37 x 3	127	3.55	11.9
ITZ 02T-24	24	43.6	Tr 40 x 3	140	4.30	11.9
ITZ 02T-28	28	50.0	Tr 46 x 3	197	4.30	13.5
ITZ 02T-32	32	56.3	Tr 53 x 3	197	4.80	13.5
ITZ 02T-40	40	69.0	Tr 65 x 2	197	4.80	13.5

Tappo metallico con catena in acciaio inox.

Metal cap with stainless steel chain.

Tappo plastico antipolvere
Protective plastic cap

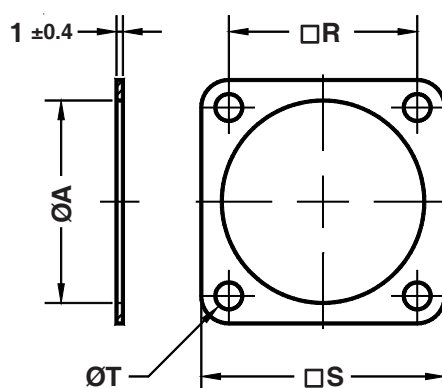


Codice P.N.	Dimens. Guscio Shell size	ØA ±0.25	ØB ±0.25	ØC ±0.78
TP02-14S	Plug 18	24.40	27.05	30.00
IT 90376-20Y	Receptacle 18	29.21	30.86	35.71
IT 90376-22Y	Plug 22	32.26	34.04	38.10
IT 90376-24R	Receptacle 22	37.16	38.94	43.18
IT 90376-24Y	Plug 24	35.30	37.08	41.66
TP02-24	Receptacle 24	40.65	43.20	47.00
TP02-24	Plug 28	40.65	43.20	47.00
TP02-28	Receptacle 28	46.45	49.05	52.00
IT 90376-28R	Plug 32	43.56	45.46	49.53
TP02-32	Receptacle 32	53.15	55.75	60.00
IT 90376-36R	Plug 40	56.26	58.16	61.85
TP02-40	Receptacle 40	65.25	67.85	72.00

Tappo di protezione contro la polvere.

Cap for protection against dust.

Guarnizione per connettori da pannello
Gasket for fixed connectors

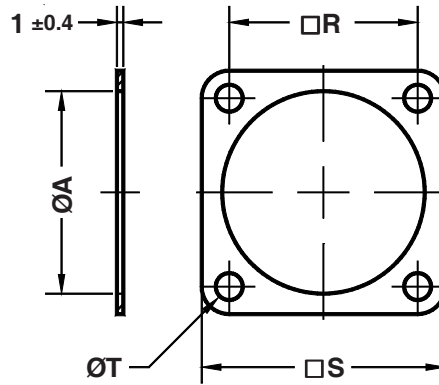


Codice Commital Commital P/N	Dim. guscio Shell size	ØA +1	R ±0.2	S ±0.5	ØT +0.5
IT 40450 - 18	18	28.4	27.0	35.0	4.2
IT 40450 - 22	22	34.8	31.8	41.0	4.2
IT 40450 - 24	24	38.0	34.9	44.5	4.2
IT 40450 - 28	28	44.3	39.7	50.8	5.1
IT 40450 - 32	32	50.7	44.5	57.0	5.1
IT 40450 - 40	40	61.9	55.5	69.9	5.1

Guarnizione per connettore fisso con montaggio da fronte pannello, non conduttiva.

Gasket for front panel mounting receptacle, non conductive.

Guarnizione per connettori da pannello
Gasket for fixed connectors



Codice Commital Commital P/N	Dim. guscio Shell size	ØA +0.3	R ±0.2	S ±0.5	ØT +0.5
IT 40460 - 18	18	30.8	27.0	35.0	4.2
IT 40460 - 22	22	37.4	31.8	41.0	4.2
IT 40460 - 24	24	40.9	34.9	44.5	4.2
IT 40460 - 28	28	46.7	39.7	50.8	5.1
IT 40460 - 32	32	53.4	44.5	57.0	5.1
IT 40460 - 40	40	65.5	55.5	69.9	5.1

Guarnizione per connettore fisso a flangia quadra con montaggio da retro pannello, non conduttiva.

Gasket for square flange receptacle for rear panel mounting, non conductive.