

# Connettori ITZ



# *ITZ Connectors*

## **Indice / Contents**

Pag. / Page	2	Generalità / <i>General description</i>
	3	Caratteristiche tecniche / <i>Technical characteristics</i>
	4	Dimensioni contatti / <i>Contacts dimensions</i>
	8	Disposizione contatti / <i>Contact arrangement</i>
	20	Tipi di connettori / <i>Connector shell styles</i>
	38	Istruzioni di assemblaggio guaina corrugata / <i>Wrinkled conduit assembly instructions</i>
	39	Accessori / <i>Accessories</i>
	44	Come ordinare / <i>How to order</i>

Commital S.p.A. é un'azienda certificata : **UNI EN ISO 9001, AQAP 110**  
*Commital S.p.A. is a certified company : **UNI EN ISO 9001, AQAP 110***

La Commital si riserva in ogni momento di apportare modifiche al presente catalogo .  
*Commital reserves the right to modify this catalogue at any time .*

**Commital ITZ 2005**

La serie di connettori ITZ presenta le medesime caratteristiche elettriche delle famiglie IT e ITS standard.

Studiata per un utilizzo particolare su mezzi militari anfibi, questa famiglia si è evoluta fino a diventare un sostituto dei connettori a baionetta nelle applicazioni industriali e ferroviarie.

I contatti sono di tipo a saldare o crimpare conformi alla MIL-C-5015, mentre l'accoppiamento tra connettore fisso e volante avviene tramite filetto trapezoidale e assicurato dalla frizione di OR in neoprene.

*ITZ connector series presents the same electrical characteristics as the standard IT and ITS families. Designed to be used on special amphibious military vehicles, this series evolved and replaces some of the bayonet coupling connectors in industrial and railway applications.*

*The ITZ connector series use solder and crimp contacts in accordance with MIL-C-5015 and a trapezoidal threaded coupling system, assured by the use of rubber O-Rings.*

## **Materiali e trattamenti**

### **Material and finish**

#### **Parti metalliche**

Lega di alluminio con trattamento di cataforesi nera.

#### **Metal parts**

*Aluminium alloy with cathionic electrodeposition of black paint.*

#### **Contatti**

Lega di rame con trattamento superficiale di argento.

#### **Contacts**

*The following contact types are available: copper alloy with silver plating.*

#### **Parti isolanti**

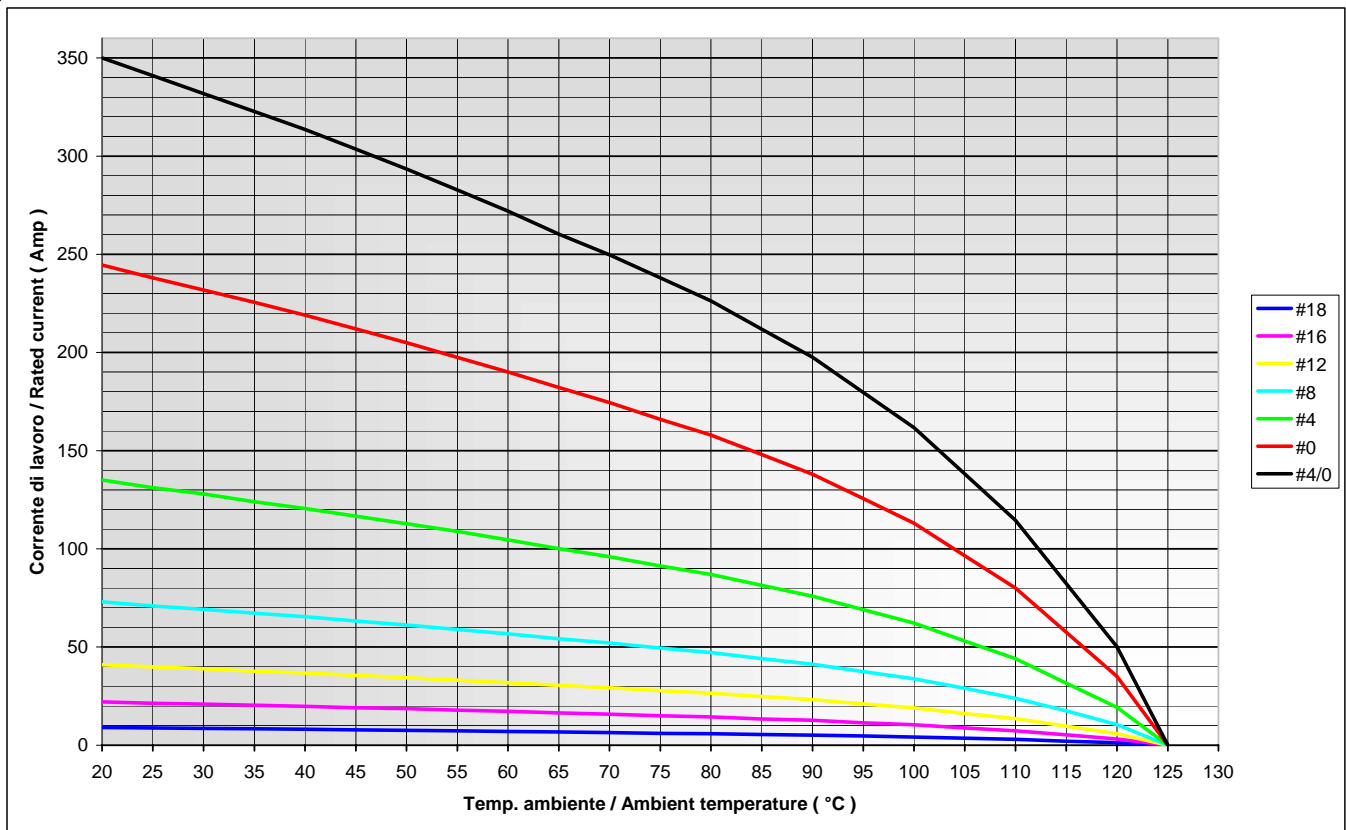
Gomma sintetica ad alto isolamento, resistente agli oli e ad un elevato range di temperature (-55°C ÷ +125°C).

#### **Insulating parts**

*High insulation synthetic rubber, resistant to oils and high range of temperatures (-55°C to +125°C).*

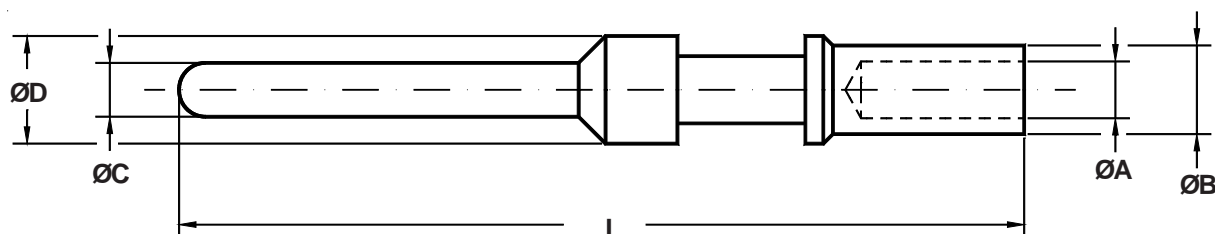
Contatti - Contacts

Tipo contatto Contact size	Corrente di lavoro a 20°C Rated current at 20°C	Resist. Contatto Max. Max. Contact resist.	Sezione filo Wire size
18	7.5 A	12.0 mΩ	20÷26 AWG
16	22 A	6.0 mΩ	16÷22 AWG
12	41 A	3.0 mΩ	12-14 AWG
8	73 A	1.0 mΩ	8-10 AWG
4	135 A	0.5 mΩ	4-6 AWG
0	245 A	0.3 mΩ	0÷2 AWG
4/0	350 A	0.2 mΩ	4/0 AWG



Isolamento - Service rating ( Resistenza d'isolamento min - Min insulating resistance :  $\geq 5 \times 10^3 \text{ M}\Omega$  )

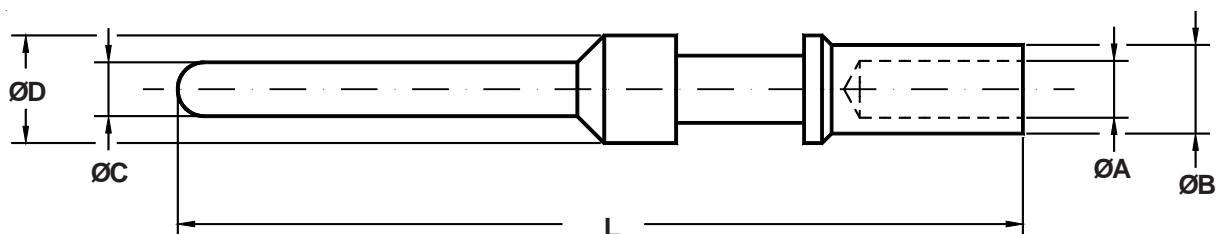
Classe Class	Tensione lavoro Vcc Operating voltage Vdc	Tensione lavoro Vca Operating voltage Vac RMS	Tens. Di prova Vca Test voltage Vac RMS
INST.	250 V	200 V	1000 V
A	700 V	500 V	2000 V
D	1250 V	900 V	2800 V
E	1750 V	1250 V	3500 V
B	2450 V	1750 V	4500 V
C	4200 V	3000 V	7000 V



Codice Commital	Taglia	Sezione mm <sup>2</sup>	AWG	A +0.1 -0	B ±0.1	C ±0.05	D ±0.1	L ±0.1
<i>Commital P/N</i>	<i>Size</i>							
10 - 375 - 20	20	0,5	24/ 20	1.30	1.93	1.00		24.30
10 - 40579	18	0.15/ 0.6	26/ 20	1.30	1.93	1.40	2.2	29.60
10 - 40553	16S	1/ 1.5	18/ 16	1.70	2.60	1.58	3.2	26.65
10 - 40553 - 12	16S	0.6	20	1.20	2.60	1.58	3.2	26.65
10 - 40553 - 13	16S	0.15/ 0.6	26/ 20	1.30	1.93	1.58	3.2	26.65
10 - 40553 - 15	16S	1	18	1.50	2.60	1.58	3.2	26.65
10 - 40553 - 20	16S	2	14	2.00	2.90	1.58	3.2	26.65
10 - 40553 - 26	16S	3	12	2.50	3.80	1.58	3.2	26.65
10 - 40557	16	1/ 1.5	18/ 16	1.70	2.60	1.58	3.2	31.75
10 - 40557 - 08	16	0.15/ 0.2	26/ 24	0.85	1.55	1.58	3.2	31.75
10 - 40557 - 12	16	0.6	20	1.20	2.60	1.58	3.2	31.75
10 - 40557 - 13	16	0.15/ 0.6	26/ 20	1.30	1.93	1.58	3.2	31.75
10 - 40557 - 15	16	1	18	1.50	2.60	1.58	3.2	31.75
10 - 40557 - 20	16	2	14	2.00	2.90	1.58	3.2	31.75
10 - 40557 - 26	16	3	12	2.50	3.80	1.58	3.2	31.75
10 - 40557 - 32	16		32/ 28	0.45	1.95	1.58	3.2	31.75
10 - 40561	12	3	12	2.50	3.90	2.38	4.8	37.65
10 - 40561 - 12	12	0.6	20	1.20	2.60	2.38	4.8	37.65
10 - 40561 - 15	12	1	18	1.50	3.40	2.38	4.8	37.65
10 - 40561 - 20	12	1/ 2	18/ 14	2.00	3.80	2.38	4.8	37.65
10 - 40561 - 22	12	2.5		2.20	3.80	2.38	4.8	37.65
10 - 40561 - 30	12	4		3.00	4.80	2.38	4.8	37.65
10 - 40561 - 30M	12	4		3.30	4.20	2.38	4.8	37.65
10 - 40561 - 38	12	6		3.60	4.80	2.38	4.8	37.65

Consultare il nostro servizio vendite per altri tipi di contatti o per le attrezzature di crimpatura .

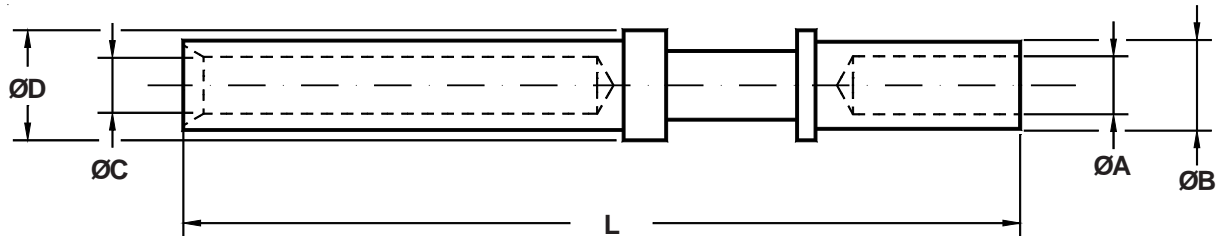
*Please consult our sales department for other contacts or crimp tooling details.*



Codice Commital	Taglia	Sezione	AWG	A	B	C	D	L
<i>Commital P/N</i>	<i>Size</i>	<i>mm<sup>2</sup></i>		<i>+0.1</i>	<i>±0.1</i>	<i>±0.05</i>	<i>±0.1</i>	<i>±0.1</i>
				<i>-0</i>				
10 - 40792	8	6 / 8	8	4.50	6.90	3.59	7.8	42.00
10 - 40792 - 15	8	1	18	1.50	3.40	3.60		40.70
10 - 40792 - 18	8	1 / 2	18 / 14	1.80	3.80	3.60		40.70
10 - 40792 - 30	8	4		3.00	4.80	3.60		40.70
10 - 40792 - 38	8	6		3.60	6.80	3.60		40.70
10 - 40792 - 50	8	10		5.00	6.90	3.59	7.8	42.00
10 - 40792 - 58	8	13.2	6	5.80	7.80	3.60		40.70
10 - 113474 - 4P	4	22	4	7.15	9.53	5.70	11.0	42.00
10 - 113474 - 4P - 22	4	2.5		2.20	3.80	5.70		42.00
10 - 113474 - 4P - 25	4	25		7.80	9.50	5.70		42.00
10 - 113474 - 4P - 26	4	3		2.50	3.80	5.70		42.00
10 - 113474 - 4P - 30	4	4		3.00	4.80	5.70		42.00
10 - 113474 - 4P - 35	4	35		9.00	14.35	5.70		42.00
10 - 113474 - 4P - 50	4	10		5.00	7.00	5.70		42.00
10 - 113474 - 4P - 62	4	16		6.20	9.53	5.70		42.00
10 - 113474 - 1P	0	50 / 60	0	11.50	14.30	9.05	15.1	45.00
10 - 113474 - 1P - 107	0	50		10.70	14.35	9.05		45.00
10 - 113474 - 1P - 25	0	25		7.80	9.50	9.05		45.00
10 - 113474 - 1P - 35	0	35		9.00	14.35	9.05		45.00
10 - 113474 - 1P - 45	0	9	8	4.55	6.80	9.05		45.00
10 - 113474 - 1P - 50	0	10		5.00	7.00	9.05		45.00
10 - 113474 - 1P - 62	0					9.05		45.00
10 - 113474 - 0P	4/0	107	4/0	16.50	20.00	12.69	20.0	63.00

Consultare il nostro servizio vendite per altri tipi di contatti o per le attrezzature di crimpatura .

*Please consult our sales department for other contacts or crimp tooling details.*



Codice Commital	Taglia	Sezione mm <sup>2</sup>	AWG	A +0.1 -0	B ±0.1	C ±0.05	D ±0.1	L ±0.1
<i>Commital P/N</i>	<i>Size</i>							
10 - 40520 LC	20	0.5	24 / 20	1.3	1.93	1.08		36.50
10 - 40588	18	0.15 / 0.6	26 / 20	1.30	1.93	1.48	2.2	34.40
10 - 40552 *	16S	1 / 1.5	18 / 16	1.70	2.60	1.65	3.2	26.60
10 - 40522 TU	16S	1 / 1.5	18 / 16	1.70	2.60	1.65	3.2	26.60
10 - 40552 - 12 *	16S	0.6	20	1.20	2.60	1.65	3.2	26.60
10 - 40552 - 13 *	16S	0.15 / 0.6	26 / 20	1.30	1.93	1.65	3.2	26.65
10 - 40552 - 15 *	16S	1	18	1.50	2.60	1.65	3.2	26.65
10 - 40552 - 20 *	16S	2	14	2.00	2.90	1.65	3.2	26.65
10 - 40552 - 26 *	16S	3	12	2.50	3.80	1.65	3.2	26.65
10 - 40556 *	16	1 / 1.5	18 / 16	1.70	2.60	1.65	3.2	36.50
10 - 40556 RES	16	1 / 1.5	18 / 16	1.70	2.60	1.65	3.2	36.50
10 - 40556 TU	16	1 / 1.5	18 / 16	1.70	2.60	1.65	3.2	36.50
10 - 40556 - 08 *	16	0.15 / 0.2	26 / 24	0.85	1.55	1.65	3.2	36.50
10 - 40556 - 12 *	16	0.6	20	1.20	2.60	1.65	3.2	36.50
10 - 40556 - 13 *	16	0.15 / 0.6	26 / 20	1.30	1.93	1.65	3.2	36.50
10 - 40556 - 15 *	16	1	18	1.50	2.60	1.65	3.2	36.50
10 - 40556 - 20 *	16	2	14	2.00	2.90	1.65	3.2	36.50
10 - 40556 - 22 TU	16	2.5		2.20	3.80	1.65		36.20
10 - 40556 - 26 *	16	3	12	2.50	3.80	1.65	3.2	36.50
10 - 40556 - 32 *	16		32 / 28	0.45	1.95	1.65	3.2	36.50
10 - 40560 *	12	3	12	2.50	3.90	2.48	4.8	37.65
10 - 40560 TU	12	3	12	2.50	3.80	2.48		37.50
10 - 40560 - 12 *	12	0.6	20	1.20	2.60	2.48	4.8	37.65
10 - 40560 - 15 *	12	1	18	1.50	3.40	2.48	4.8	37.65
10 - 40560 - 20 *	12	1 / 2	18 / 14	2.00	3.80	2.48	4.8	37.65
10 - 40560 - 22 *	12	2.5		2.20	3.80	2.48	4.8	37.65
10 - 40560 - 30 *	12	4		3.00	4.80	2.48	4.8	37.65
10 - 40560 - 30M	12	4		3.30	4.20	2.48	4.8	37.65
10 - 40560 - 38 *	12	6		3.60	4.80	2.48	4.8	37.65

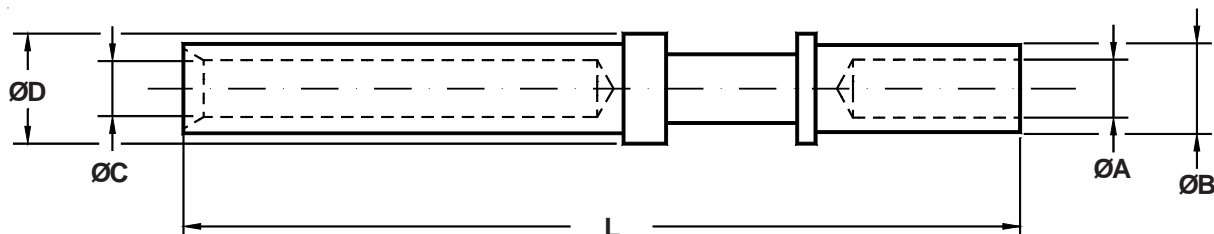
Consultare il nostro servizio vendite per altri tipi di contatti o per le attrezzature di crimpatura.

*Please consult our sales department for other contacts or crimp tooling details.*

NOTA : I contatti evidenziati con il simbolo \* sono disponibili anche in versione Iperboloide con denominazione HC (Es. : 10-40552-12HC)  
*Contacts marked with \* are available also as Hyperboloid version with HC code (Ex. : 10-40552-12HC)*

# Contatti femmina a pinzare

## Socket crimp contacts



Codice Commital	Taglia	Sezione mm <sup>2</sup>	AWG	A +0.1 -0	B ±0.1	C ±0.05	D ±0.1	L ±0.1
<i>Commital P/N</i>	<i>Size</i>							
10 - 40793	8	9	8	4.50	6.90	3.73	7.8	42.00
10 - 40793 - 1	8	9	8	4.50	6.75	3.70		40.50
10 - 40793 - 1 - 15	8	1	18	1.45	3.40	3.70		40.50
10 - 40793 - 1 - 18	8	1/2	18/14	1.80	3.80	3.70		40.50
10 - 40793 - 1 - 26								
10 - 40793 - 1 - 30	8	4		3.00	4.80	3.70		40.50
10 - 40793 - 1 - 38	8	6		3.60	6.80	3.70		40.50
10 - 40793 - 1 - 50	8	10		5.00	6.90	3.70		40.50
10 - 40793 - 1 - 58	8	13.2	6	5.50	7.80	3.70		40.50
10 - 40793 - 50	8	10		5.00	6.90	3.70	7.8	42.00
10 - 40793 - M4	8			3.00	5.00	3.70		42.00
10 - 113474 - 4S	4	22	4	7.10	9.53	5.80	11.0	42.00
10 - 113474 - 4S - 1	4	22	4	7.10	9.53	5.80		41.00
10 - 113474 - 4S - 1 - 22	4	2.50		2.20	3.80	5.80		41.00
10 - 113474 - 4S - 1 - 26	4	3		2.50	3.80	5.80		41.00
10 - 113474 - 4S - 1 - 30	4	4		3.00	4.80	5.80		41.00
10 - 113474 - 4S - 1 - 50	4	10		5.00	7.00	5.80		41.00
10 - 113474 - 4S - 1 - 62	4	16		6.20	9.50	5.80		41.00
10 - 113474 - 4S - 1 - 90	4	35		9.00	14.35	5.80		48.00
10 - 113474 - 4S - 25M	4	25		8.00	9.53	5.80		42.00
10 - 113474 - 1S	0	50/60	0	11.50	14.30	9.17	15.1	44.60
10 - 113474 - 1S / M	0							
10 - 113474 - 1S - 107	0	50		10.70	14.35	9.17		44.60
10 - 113474 - 1S - 25	0	25		7.80	9.50	9.17		44.60
10 - 113474 - 1S - 35	0	35		9.00	14.35	9.17		44.60
10 - 113474 - 1S - 45	0	9	8	4.55	6.80	9.17		44.60
10 - 113474 - 1S - 50	0	10		5.00	7.00	9.17		44.60
10 - 113474 - 1S - 62	0							
IT - 113474 - 0S	4/0	107	4/0	16.50	20.00	12.70	20.0	65.50

Consultare il nostro servizio vendite per altri tipi di contatti o per le attrezzature di crimpatura.

*Please consult our sales department for other contacts or crimp tooling details.*



Disposiz. Arrang.	Cl. isol. Rating	Dimens. Contatti / Contact size						
		4/0	0	4	8	12	16	18
18 - 1	I						10	
- 3	D				2			
- 4	D					4		
- 5	D				2	1		
- 6	D		1					
- 06	A				4	2		
- 7	B			1				
- 8	A				1	7		
- 9	I				2	5		
- 10	A				4			
- 11	A				5			
- 12	A					6		
- 13	A			1	3			
- 14	A		1			1		
- 16	C				1			
- 19	A					10		
- 20	A					5		
- 22	D					3		
- 29	A					5		
22 - 1	D				2			
- 2	D				3			
- 4	A				2	2		
- 5	D					2	4	
- 6	D				2		1	
- 7	E		1					
- 8	E				2			
- 9	E				3			
- 10	E					4		
- 11	B					2		
- 12	D			2		3		
- 13	D				4	1		
- 14	A					19		
- 15	A				5	1		
- 16	A				3	6		
- 17	A				1	8		
- 18	A					8		
- 19	A					14		
- 20	A					9		
- 21	A		1			2		
- 22	A			4				
- 23	A				8			
- 24	A				2	4		
- 27	A			1		8		
- 28	A				7			
- 33	A					7		
- 34	D				3	2		
- 82	A			2		8		
- A10	A					10		
- A37	A							37

Disposiz. Arrang.	Cl. isol. Rating	Dimens. Contatti / Contact size						
		4/0	0	4	8	12	16	18
24 - 2	D					7		
- 3	A					2	5	
- 4	A		1				3	
- 5	A						16	
- 06	D				4		2	
- 6	A					8		
- 07	D					7		
- 7	A					2	14	
- 9	A			2				
- 10	A				7			
- 11	A				3	6		
- 12	A			2		3		
- 013	A					6	7	
- 16	A				1	3	3	
- 17	D					2	3	
- 19	A						12	
- 20	D					2	9	
- 21	D				1		9	
- 22	D				4			
- 27	E						7	
- 28	I						24	
- 67	A					19		
- A1	B		1					
- A25	A						25	
- A28	I						28	
- A55	I							55 size 20
- G5	A				5			
28 - 1	A				3	6		
- 2	D					2	12	
- 3	E				3			
- 4	D					2	7	
- 5	D			2		1	2	
- 6	D			3				
- 7	D			2				
- 8	A					2	10	
- 09	A			4			5	
- 9	D					6	6	
- 10	A			2	2	3		
- 11	A					4	18	
- 12	A						26	
- 15	A						35	
- 16	A						20	
- 17	A						15	
- 18	I						12	
- 19	A					4	6	
- 20	A					10	4	
- 21	A						37	
- 22	D			3			3	
- 51	D					12		
- 59	A					7	10	
- 70	A					7		
- 72	I							72 size 20
- 124	A				4		12	
- A29	A				2		27	
- A31	A				6			25
- A35	A						35	
- A63	I					9	19	
- B1	B		1					

Disposiz. Arrang.	Cl. isol. Rating	Dimens. Contatti / Contact size						
		4/0	0	4	8	12	16	18
32 - 1	D		2			3		
- 2	E			3			2	
- 3	D		1	2		2	4	
- 4	I					2	12	
- 5	D		2					
- 6	A			2	3	2	16	
- 7	I					7	28	
- 8	A					6	24	
- 9	D			2			12	
- 10	A			2	2		3	
- 12	A					5	10	
- 013	D						13	
- 13	D					5	18	
- 15	D		2			6		
- 17	D			4				
- 22	A						54	
- 31	A						31	
- 59	A				2		40	
- 68	A			4			12	
- 689	A			3			6	
- 76	A				2		19	
- 79	D			4	1			
- 88	A						54	
- A1	A	1						
- A3	E			3				
- A25	A						25	
- A27	A					10	17	
- A30	A					10	20	
- A40	A						40	
- A48	I						48	
- A55	A						55	
- B22	A			2			20	
40 - 1	D					6	24	
- 9	A				1	22	24	
- 10	A			4	9		16	
- 26	A				7	19		
- 31	D					31		
- 35	D					35		
- 47	A				1	22	24	
- 53	A						60	
- 56	A						85	
- 62	A						60	
- 63	A						61	
- 67	A			10			1	
- 150	I							150
- 951	A					25	26	
- A3	A		3			2		
- A4	A		4			2		
- A5	A		3	1		1		
- A6	B					6		
- A8	E		4				4	
- A10	D			4			4	
- A24	D				8	16		
- A38	A					38		
- A51	A				15		16	
- A56	A						85	
- A62	A				2		60	
- A65	A						65	
- B4	E		4					
- B19	A				19			

Disposiz. Arrang.	gradi / degrees $\alpha \pm 2^\circ$			
	W	X	Y	Z
18 - 1	70	145	215	290
- 3	35	110	250	325
- 4	35	110	250	325
- 5	80	110	250	280
- 06		180		
- 8	70			290
- 9	80	110	250	280
- 10		120	240	
- 11		170	265	
- 12	80			280
- 13	80	110	250	280
- 14	80	110	250	280
- 19		120	240	
- 20	90	180	270	
- 22	70	145	215	290
- 29	90	180	270	
22 - 1	35	110	250	325
- 2	70	145	215	290
- 4	35	110	250	325
- 5	35	110	250	325
- 6	80	110	250	280
- 8	35	110	250	325
- 9	70	145	215	290
- 10	35	110	250	325
- 11	35	110	250	325
- 12	80	110	250	280
- 13	35	110	250	325
- 14	80	110	250	280
- 15	80	110	250	280
- 16	80	110	250	280
- 17	80	110	250	280
- 18	80	110	250	280
- 19	80	110	250	280
- 20	35	110	250	325
- 21	80	110	250	280
- 22		110	250	
- 23	35		250	
- 24	80	110	250	280
- 27	80		250	280
- 28	80			280
- 33	80	110	250	280
- 34	80	110	250	280
- A10		120	240	
- A37	80	112	250	280

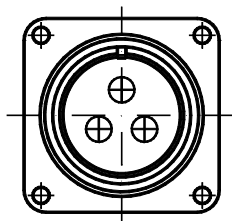
Disposiz. Arrang.	gradi / degrees $\alpha \pm 2^\circ$			
	W	X	Y	Z
24 - 2	80			280
- 3	80	110	250	280
- 5	80	110	250	280
- 06	40			320
- 6	80	110	250	280
- 07	80			280
- 7	80	110	250	280
- 9	35	110	250	325
- 10	80			280
- 11	35	110	250	325
- 12	80	110	250	280
-16	80	110	250	280
- 17	80	110	250	280
- 20	80	110	250	280
- 21	80	110	250	280
- 22	45	110	250	
- 27	80			280
- 28	80	110	250	280
- 67	80			335
- A25	80	110	250	280
- A28	65	146	235	
- A55	80	110	250	280
28 - 1	80	110	250	280
- 2	35	110	250	325
- 3	70	145	215	290
- 4	80	110	250	280
- 5	35	110	250	325
- 6	70	145	215	290
- 7	35	110	250	325
- 8	80	110	250	280
- 9	80	110	250	280
- 10	80	110	250	280
- 11	80	110	250	280
- 12	90	180	270	
- 15	80	110	250	280
- 16	80	110	250	280
- 17	80	110	250	280
- 18	70	145	215	290
- 19	80	110	250	280
- 20	80	110	250	280
- 21	80	110	250	280
- 22	70	145	215	290
- 51	80	135	195	
- 59	35	110	250	325
- 72	72	144	216	288
- A35	80	110	250	280
- A63		100	260	

Disposiz. Arrang.	gradi / degrees $\alpha \pm 2^\circ$			
	W	X	Y	Z
32 - 1	80	110	250	280
- 2	70	145	215	290
- 3	80	110	250	280
- 4	80	110	250	280
- 5	35	110	250	325
- 6	80	110	250	280
- 7	80	125	235	280
- 8	80	125	235	280
- 9	80	110	250	280
- 10	80	110	250	280
- 12	80	110	250	280
- 013	65	130	230	295
- 13	80	110	250	280
- 15	35	110	250	280
- 17	45	110	250	
- 22	80	110	250	280
- 59	36	108	252	324
- 68	65	135	225	275
- 76	80	110	250	280
- 88	80	110	250	280
- A3	22	44		
- A25	60	120		
- A27	30	115	285	335
- A40	35	130		
- A48	80			
- A55	80	110	250	280
- B22	35	110	250	325
40 - 1	65	130	235	300
- 9	65	125	225	310
- 10	65	125	225	310
- 26	80	110	250	280
- 31	80	110	250	280
- 35	70	130	230	290
- 47	65	125	225	310
- 53	80	110	250	280
- 56	72	144	216	288
- 62	30	130	220	290
- 63	80			280
- A3	70	145	215	290
- A4	50	120	240	325
- A5	33			270
- A38	37	74	285	322
- A56	72	144	216	288
- A62	80	130	230	280
- A65	70	145	215	285
- B4	45	110		
- B19	35	105	255	325

**Rotazioni degli inserti (vista frontale) / Insert rotation (front view)**

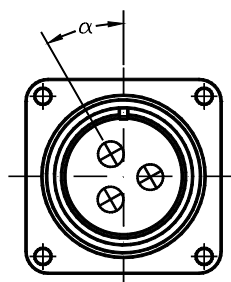
Posizione normale

*Normal position*



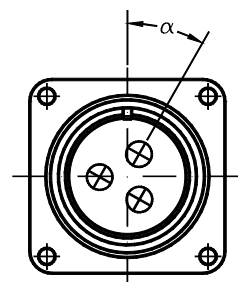
Posizione ruotata  
con contatti femmina

*Alternate position  
with socket contacts*



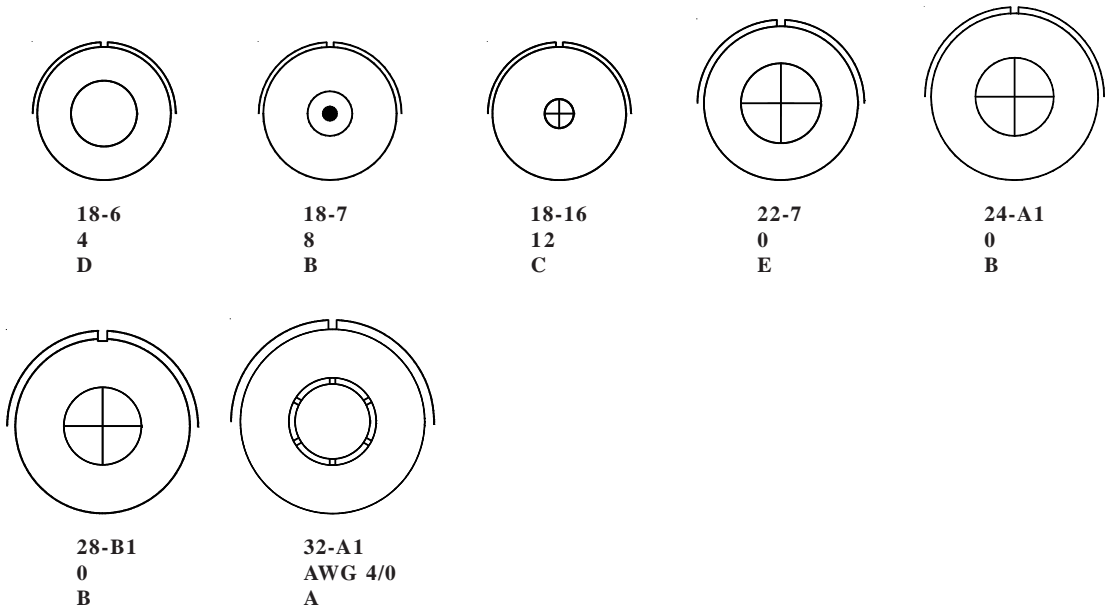
Posizione ruotata  
con contatti maschio

*Alternate position  
with pin contacts*



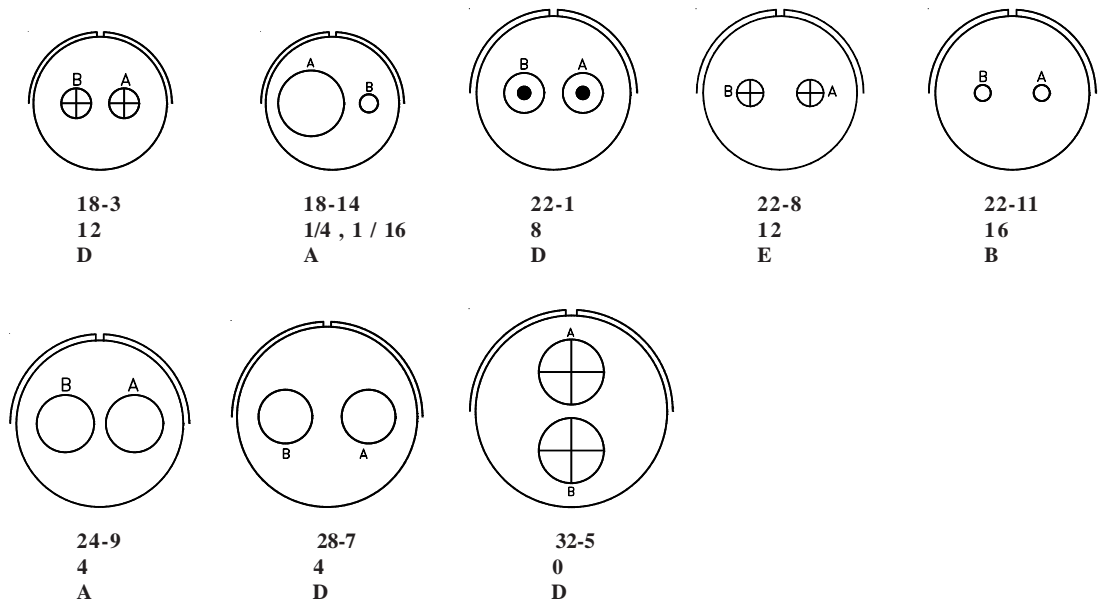
**1 CONTATTO**  
**1 CONTACT**

ARRANGEMENT  
CONTACT SIZE  
SERVICE RATING



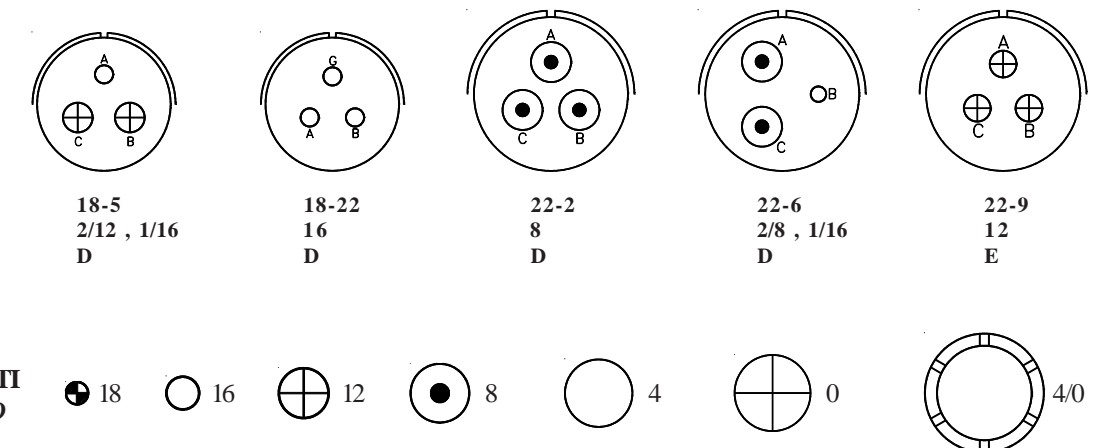
**2 CONTATTI**  
**2 CONTACTS**

ARRANGEMENT  
CONTACT SIZE  
SERVICE RATING

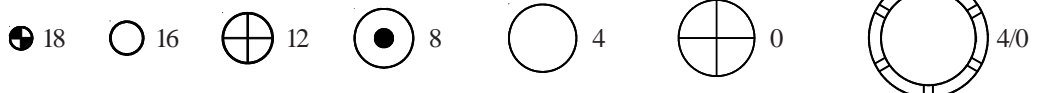


**3 CONTATTI**  
**3 CONTACTS**

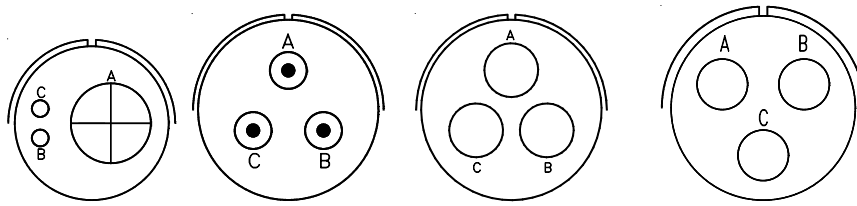
ARRANGEMENT  
CONTACT SIZE  
SERVICE RATING



**LEGENDA CONTATTI**  
**CONTACT LEGEND**



# Disposizione contatti Contact arrangement



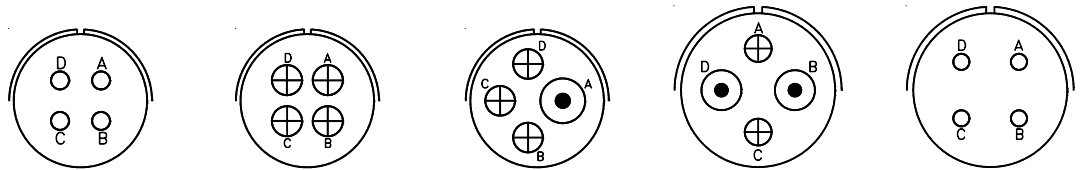
ARRANGEMENT	22-21
CONTACT SIZE	1/0 , 2/16
SERVICE RATING	A

ARRANGEMENT	28-3
CONTACT SIZE	8
SERVICE RATING	E

ARRANGEMENT	28-6
CONTACT SIZE	4
SERVICE RATING	D

ARRANGEMENT	32-A3
CONTACT SIZE	4
SERVICE RATING	E

## 4 CONTATTI 4 CONTACTS



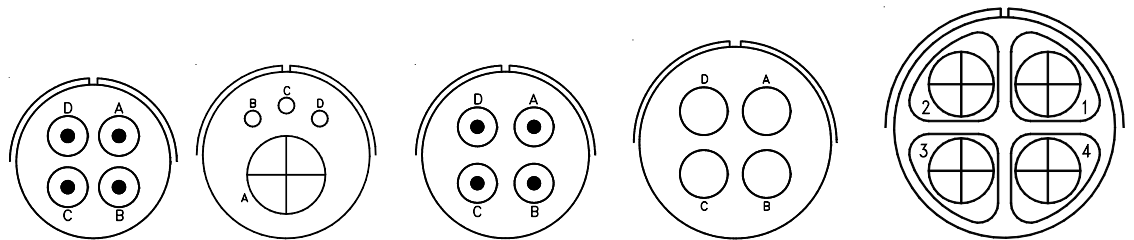
ARRANGEMENT	18-4
CONTACT SIZE	16
SERVICE RATING	D

ARRANGEMENT	18-10
CONTACT SIZE	12
SERVICE RATING	A

ARRANGEMENT	18-13
CONTACT SIZE	1/8 , 3/12
SERVICE RATING	A

ARRANGEMENT	22-4
CONTACT SIZE	2/8 , 2/12
SERVICE RATING	A

ARRANGEMENT	22-10
CONTACT SIZE	16
SERVICE RATING	E



ARRANGEMENT	22-22
CONTACT SIZE	8
SERVICE RATING	A

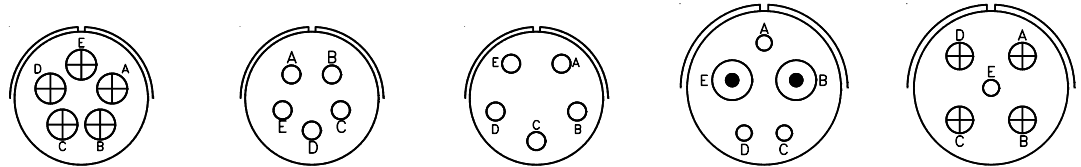
ARRANGEMENT	24-4
CONTACT SIZE	1/0 , 3/16
SERVICE RATING	A

ARRANGEMENT	24-22
CONTACT SIZE	8
SERVICE RATING	D

ARRANGEMENT	32-17
CONTACT SIZE	4
SERVICE RATING	D

ARRANGEMENT	40-B4
CONTACT SIZE	0
SERVICE RATING	E

## 5 CONTATTI 5 CONTACTS



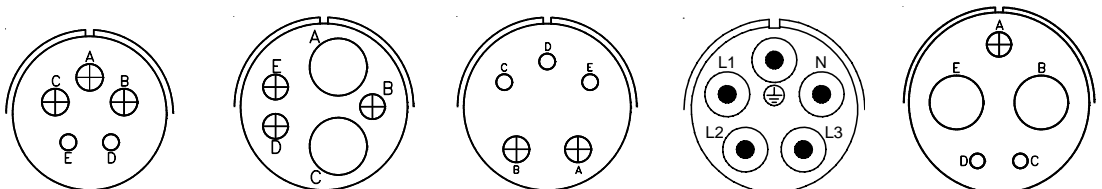
ARRANGEMENT	18-11
CONTACT SIZE	12
SERVICE RATING	A

ARRANGEMENT	18-20
CONTACT SIZE	16
SERVICE RATING	A

ARRANGEMENT	18-29
CONTACT SIZE	16
SERVICE RATING	A

ARRANGEMENT	22-12
CONTACT SIZE	2/8 , 3/16
SERVICE RATING	D

ARRANGEMENT	22-13
CONTACT SIZE	4/12 , 1/16
SERVICE RATING	D



ARRANGEMENT	22-34
CONTACT SIZE	3/12 , 2/16
SERVICE RATING	D

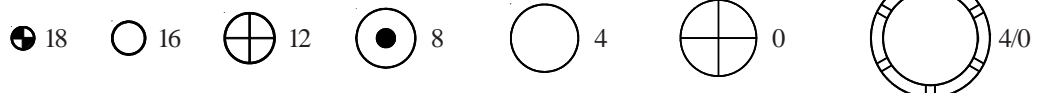
ARRANGEMENT	24-12
CONTACT SIZE	2/4 , 3/12
SERVICE RATING	A

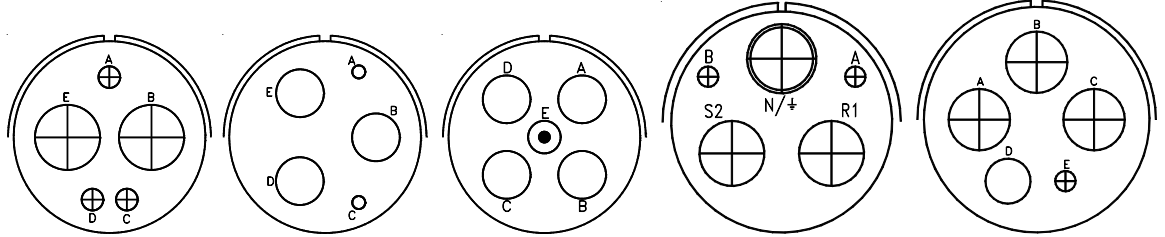
ARRANGEMENT	24-17
CONTACT SIZE	2/12 , 3/16
SERVICE RATING	D

ARRANGEMENT	24-G5
CONTACT SIZE	5/8
SERVICE RATING	A

ARRANGEMENT	28-5
CONTACT SIZE	2/4 , 1/12 , 2/16
SERVICE RATING	D

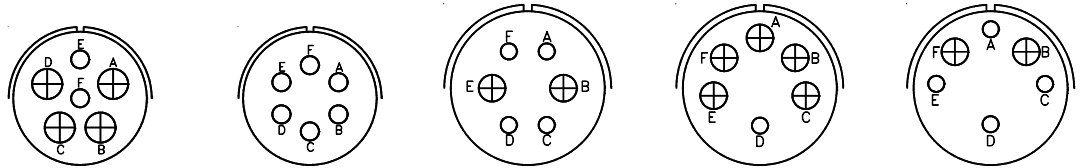
## LEGENDA CONTATTI CONTACT LEGEND



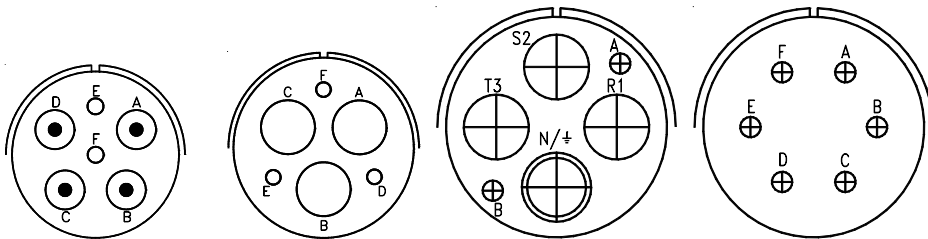


ARRANGEMENT	32-1	32-2	32-79	40-A3	40-A5
CONTACT SIZE	2/0 , 3/12	3/4 , 2/16	4/4 , 1/8	1/0M , 2/0 , 2/12	3/0 , 1/4 , 1/12
SERVICE RATING	A=E ; B,C,D,E=D	E	D	A	A

**6 CONTATTI**  
**6 CONTACTS**

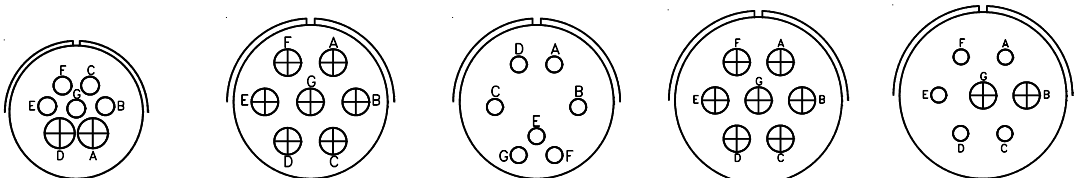


ARRANGEMENT	18-06	18-12	22-5	22-15	22-24
CONTACT SIZE	4/12 , 2/16	16	2/12 , 4/16	5/12 , 1/16	2/12 , 4/16
SERVICE RATING	A	A	D	D=E ; A,B,C,E,F=A	A,B,F=A ; C,D,E=D

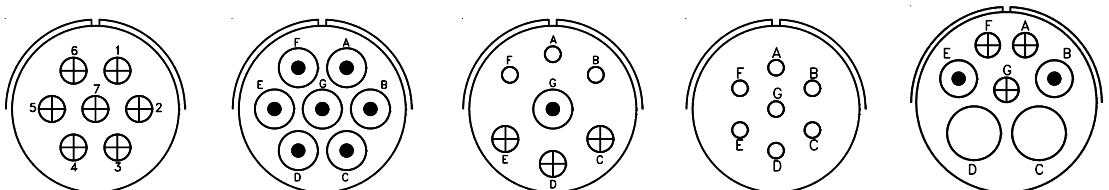


ARRANGEMENT	24-06	28-22	40-A4	40-A6
CONTACT SIZE	4/8 , 2/16	3/4 , 3/16	1/0M , 3/0 , 2/12	16
SERVICE RATING	D	D	A	B

**7 CONTATTI**  
**7 CONTACTS**

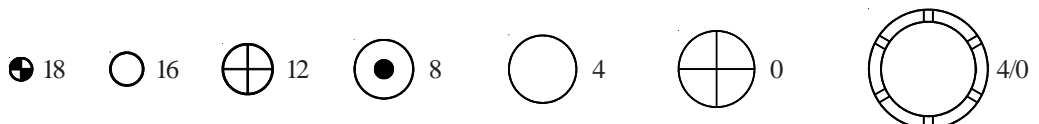


ARRANGEMENT	18-9	22-28	22-33	24-2	24-3
CONTACT SIZE	2/12 , 5/16	12	16	12	2/12 , 5/16
SERVICE RATING	I	A	A,B,C,D=D ; E,F,G=A	D	A

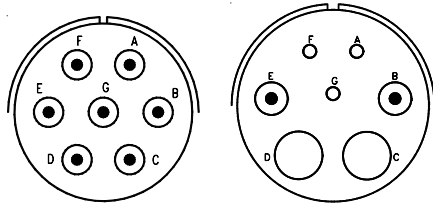


ARRANGEMENT	24-07	24-10	24-16	24-27	28-10
CONTACT SIZE	12	8	1/8 , 3/12 , 3/16	16	2/4 , 2/8 , 3/12
SERVICE RATING	D	A	A,B,F,G=D ; C,D,E=A	E	G=D ; Bal=A

**LEGENDA CONTATTI**  
**CONTACT LEGEND**

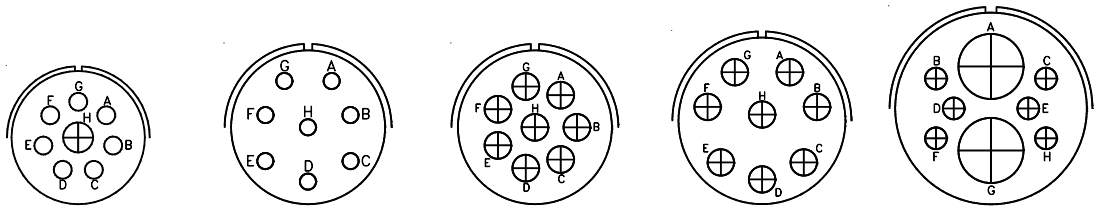


# Disposizione contatti Contact arrangement

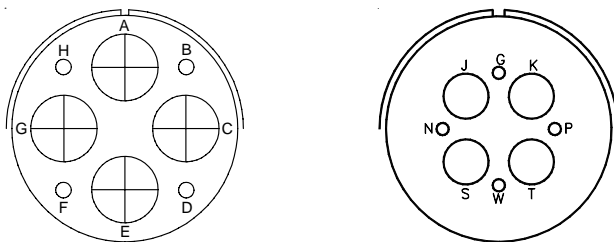


ARRANGEMENT	28-70	32-10
CONTACT SIZE	8	2/4 , 2/8 , 3/16
SERVICE RATING	A	A,F=E ; B,E=D ; C,D=A ; G=B

## 8 CONTATTI 8 CONTACTS

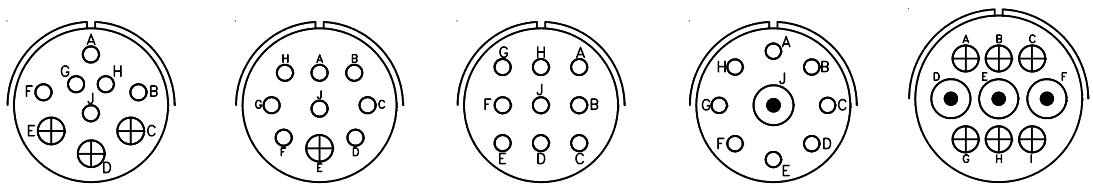


ARRANGEMENT	18-8	22-18	22-23	24-6	32-15
CONTACT SIZE	1/12 , 7/16	16	12	12	2/0 , 6/12
SERVICE RATING	A	A,B,F,G,H=D ; C,D,E=A	H=D ; Bal=A	Bal=A	D

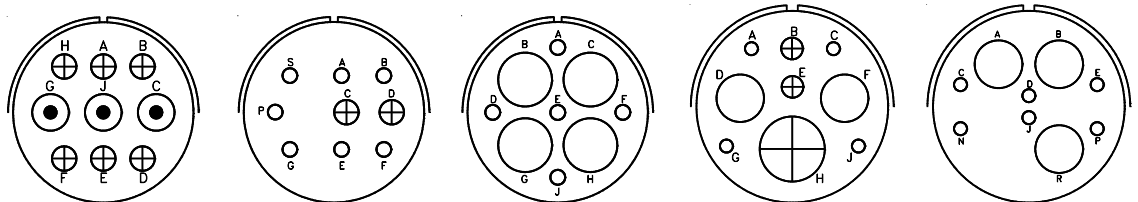


ARRANGEMENT	40-A8	40-A10
CONTACT SIZE	4/0 , 4/16	4/4 , 4/16
SERVICE RATING	E	D

## 9 CONTATTI 9 CONTACTS

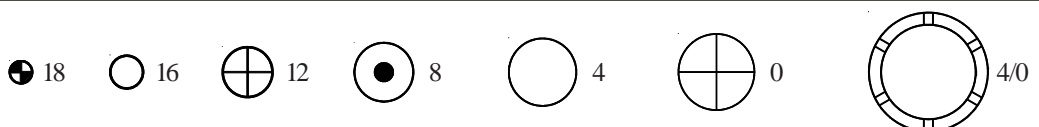


ARRANGEMENT	22-16	22-17	22-20	22-27	24-11
CONTACT SIZE	3/12 , 6/16	1/12 , 8/16	16	1/8 , 8/16	3/8 , 6/12
SERVICE RATING	A	A=D ; Bal=A	A	J=D ; Bal=A	A

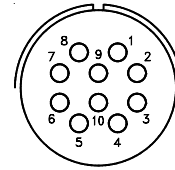
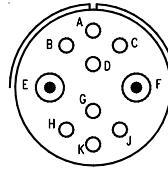
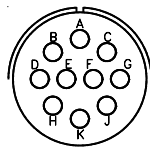
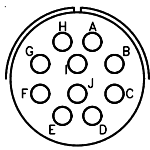


ARRANGEMENT	28-1	28-4	28-09	32-3	32-689
CONTACT SIZE	3/8 , 6/12	2/12 , 7/16	4/4 , 5/16	1/0 , 2/4 , 2/12 , 4/16	3/4 , 6/12
SERVICE RATING	A,J,E=D Bal=A	G,P,S=E ; Bal=D	A	D	A

## LEGENDA CONTATTI CONTACT LEGEND



**10 CONTATTI**  
*10 CONTACTS*

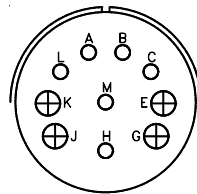
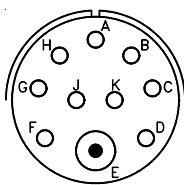


ARRANGEMENT 18-1  
CONTACT SIZE 16  
SERVICE RATING B,C,F,G=A ;  
Bal=I

ARRANGEMENT 18-19  
CONTACT SIZE 16  
SERVICE RATING A

ARRANGEMENT 22-82  
CONTACT SIZE 8/16 , 2/8  
SERVICE RATING A

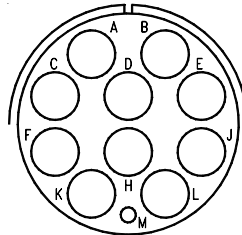
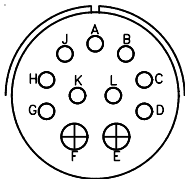
ARRANGEMENT 22-A10  
CONTACT SIZE 16  
SERVICE RATING A



ARRANGEMENT 24-21  
CONTACT SIZE 1/8 , 9/16  
SERVICE RATING D

ARRANGEMENT 28-19  
CONTACT SIZE 4/12 , 6/16  
SERVICE RATING A,B=D ; K,M=B ; Bal=A

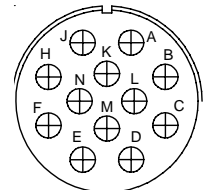
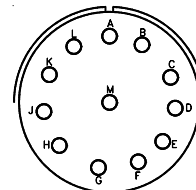
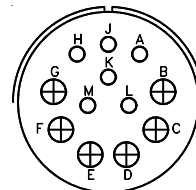
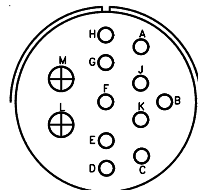
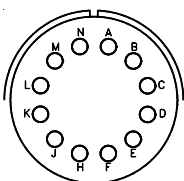
**11 CONTATTI**  
*11 CONTACTS*



ARRANGEMENT 24-20  
CONTACT SIZE 2/12 , 9/16  
SERVICE RATING D

ARRANGEMENT 40-67  
CONTACT SIZE 10/4 , 1/16  
SERVICE RATING A

**12 CONTATTI**  
*12 CONTACTS*



ARRANGEMENT 24-19  
CONTACT SIZE 16  
SERVICE RATING A

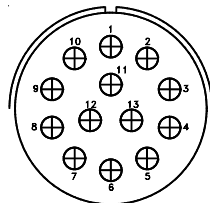
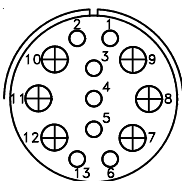
ARRANGEMENT 28-8  
CONTACT SIZE 2/12 , 10/16  
SERVICE RATING B=D; L,M=E;  
Bal=A

ARRANGEMENT 28-9  
CONTACT SIZE 6/12 , 6/16  
SERVICE RATING D

ARRANGEMENT 28-18  
CONTACT SIZE 16  
SERVICE RATING A,B=A;  
G,H,J,K,L=D;M=C;  
Bal=I

ARRANGEMENT 28-51  
CONTACT SIZE 12  
SERVICE RATING D

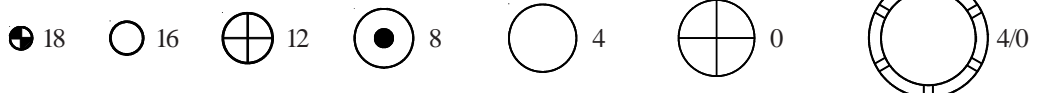
**13 CONTATTI**  
*13 CONTACTS*



ARRANGEMENT 24-013  
CONTACT SIZE 6/12 , 7/16  
SERVICE RATING A

ARRANGEMENT 32-013  
CONTACT SIZE 12  
SERVICE RATING D

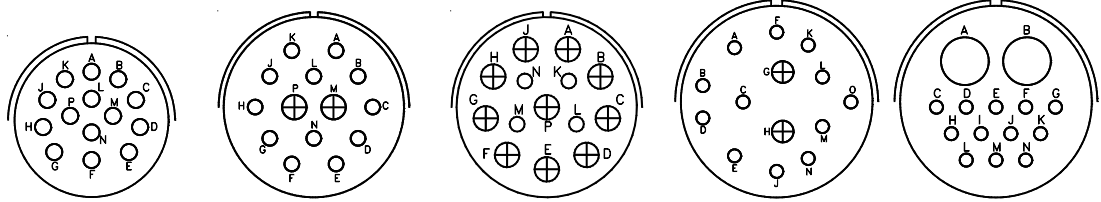
**LEGENDA CONTATTI**  
*CONTACT LEGEND*





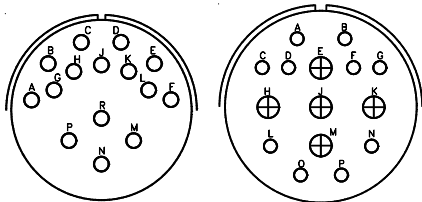
# Disposizione contatti Contact arrangement

## 14 CONTATTI 14 CONTACTS



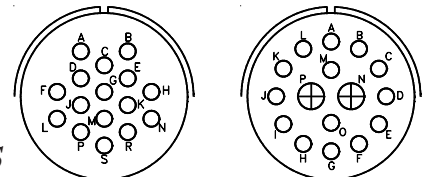
ARRANGEMENT	22-19	28-2	28-20	32-4	32-9
CONTACT SIZE	16	2/12, 12/16	10/12, 4/16	2/12, 12/16	2/4, 12/16
SERVICE RATING	A	D	A	F,J,K,N=A; Bal=A	A

## 15 CONTATTI 15 CONTACTS



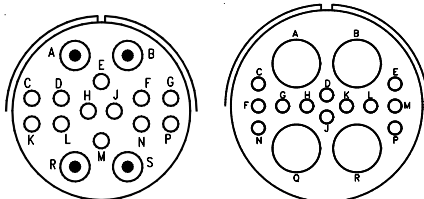
ARRANGEMENT	28-17	32-12
CONTACT SIZE	16	5/12, 10/16
SERVICE RATING	M,N,P=D; R=B; Bal=A	C,D,E,F,G=A; Bal=D

## 16 CONTATTI 16 CONTACTS



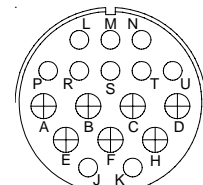
ARRANGEMENT	24-5	24-7
CONTACT SIZE	16	2/12, 14/16
SERVICE RATING	A	A

## 17 CONTATTI 17 CONTACTS



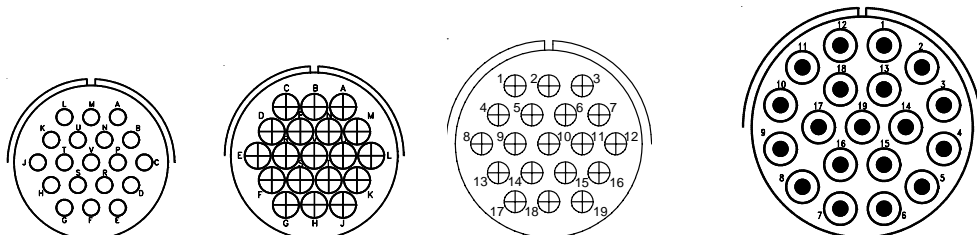
ARRANGEMENT	28-124	32-68
CONTACT SIZE	12/16, 4/8	4/4, 12/16
SERVICE RATING	A	A

## 17 CONTATTI 17 CONTACTS



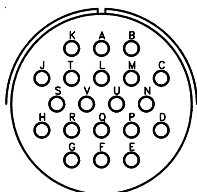
ARRANGEMENT	28-59
CONTACT SIZE	7/12, 10/16
SERVICE RATING	A

## 19 CONTATTI 19 CONTACTS



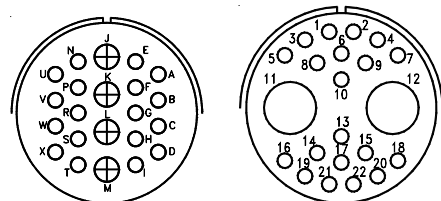
ARRANGEMENT	22-14	24-67	32-76	40-B19
CONTACT SIZE	16	12	12	8
SERVICE RATING	A	A	A	A

## 20 CONTATTI 20 CONTACTS



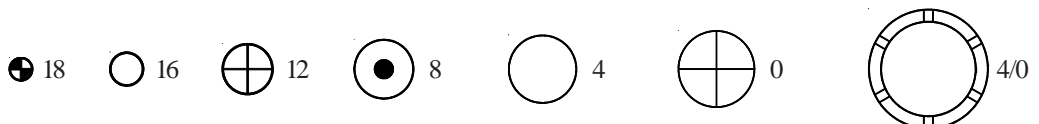
ARRANGEMENT	28-16
CONTACT SIZE	16
SERVICE RATING	A

## 22 CONTATTI 22 CONTACTS



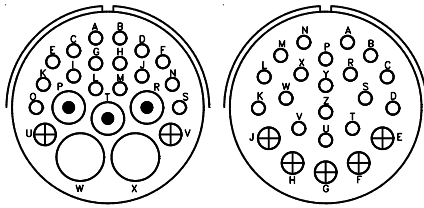
ARRANGEMENT	28-11	32-B22
CONTACT SIZE	4/12, 18/16	2/4, 20/16
SERVICE RATING	A	A

## LEGENDA CONTATTI CONTACT LEGEND



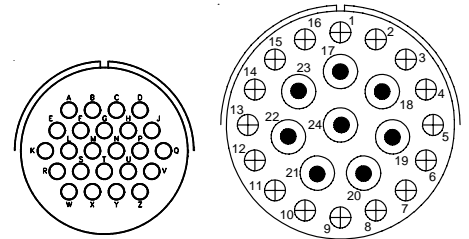


**23 CONTATTI**  
**23 CONTACTS**



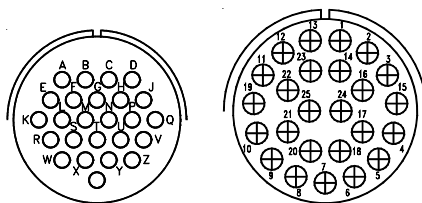
ARRANGEMENT 32-6 32-13  
CONTACT SIZE 2/4, 3/8, 2/12, 16/16 5/12, 18/16  
SERVICE RATING A D

**24 CONTATTI**  
**24 CONTACTS**



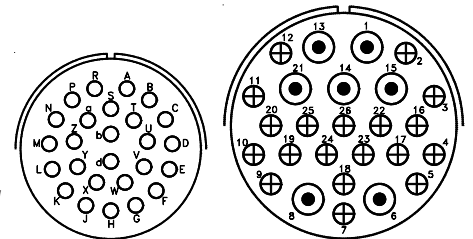
24-28 40-A24  
16 8/8, 16/12  
I D

**25 CONTATTI**  
**25 CONTACTS**



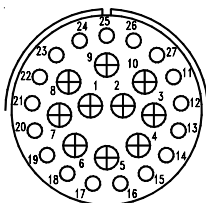
ARRANGEMENT 24-A25 32-A25  
CONTACT SIZE 16 12  
SERVICE RATING A A

**26 CONTATTI**  
**26 CONTACTS**



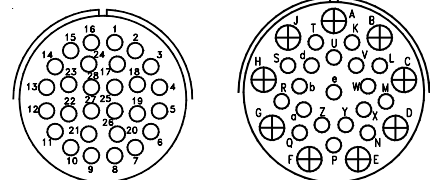
28-12 40-26  
16 7/8, 19/12  
A A

**27 CONTATTI**  
**27 CONTACTS**



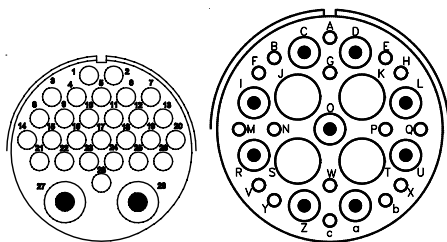
ARRANGEMENT 32-A27  
CONTACT SIZE 10/12, 17/16  
SERVICE RATING A

**28 CONTATTI**  
**28 CONTACTS**



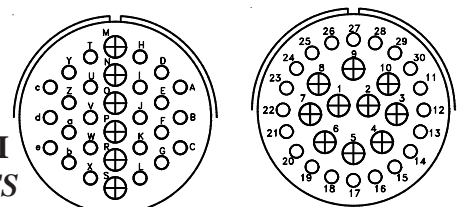
24-A28 28-A63  
16 9/12, 19/16  
I I

**29 CONTATTI**  
**29 CONTACTS**



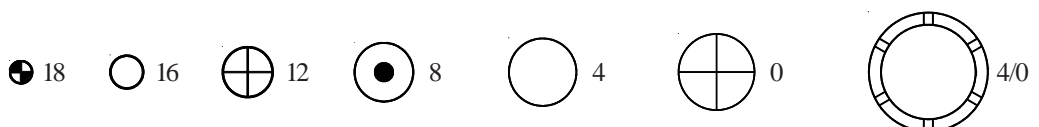
ARRANGEMENT 28-A29 40-10  
CONTACT SIZE 2/8, 27/16 4/4, 9/8, 16/16  
SERVICE RATING A A

**30 CONTATTI**  
**30 CONTACTS**

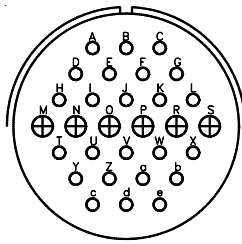


32-8 32-A30  
6/12, 24/16 10/12, 20/16  
A A

**LEGENDA CONTATTI**  
**CONTACT LEGEND**

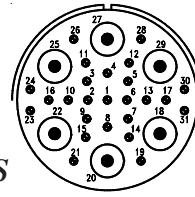


# Disposizione contatti Contact arrangement

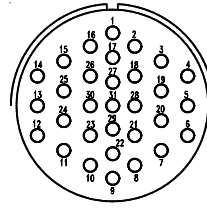


**31 CONTATTI**  
**31 CONTACTS**

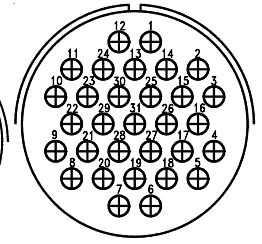
ARRANGEMENT 40-1  
CONTACT SIZE 6/12, 20/16  
SERVICE RATING D



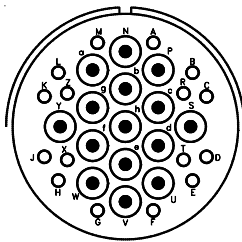
28-A31  
6/8, 25/18  
A



32-31  
1/4, 2/8, 14/12, 14/16  
A

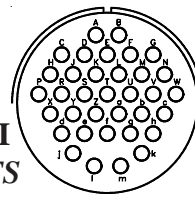


40-31  
15/8, 16/16  
D

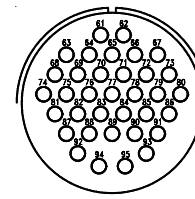


**35 CONTATTI**  
**35 CONTACTS**

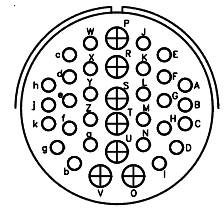
ARRANGEMENT 40-A51  
CONTACT SIZE 15/8, 16/16  
SERVICE RATING A



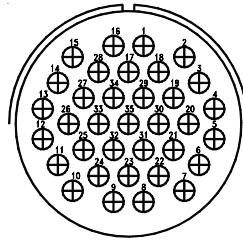
28-15  
16  
A



28-A35  
16  
A

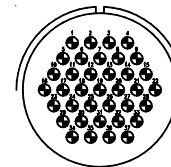


32-7  
7/12, 28/16  
A,B,h,j=I;  
Bal=A

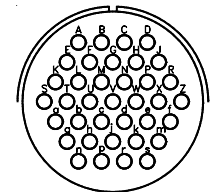


ARRANGEMENT 40-35  
CONTACT SIZE 12  
SERVICE RATING D

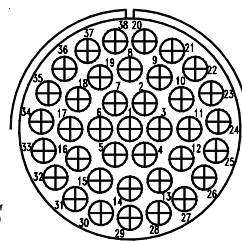
**37 CONTATTI**  
**37 CONTACTS**



22-A37  
18  
A



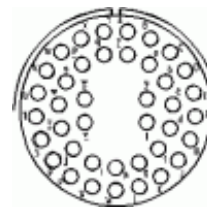
28-21  
16  
A



**38 CONTATTI**  
**38 CONTACTS**

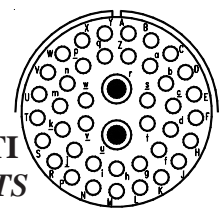
ARRANGEMENT 40-A38  
CONTACT SIZE 12  
SERVICE RATING A

**40 CONTATTI**  
**40 CONTACTS**



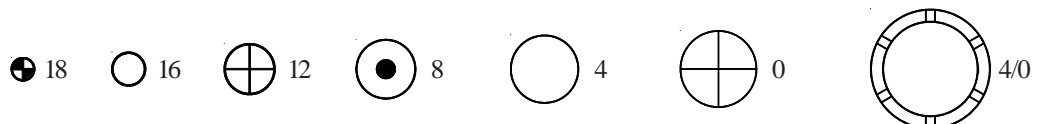
32-A40  
40/16  
A

**42 CONTATTI**  
**42 CONTACTS**

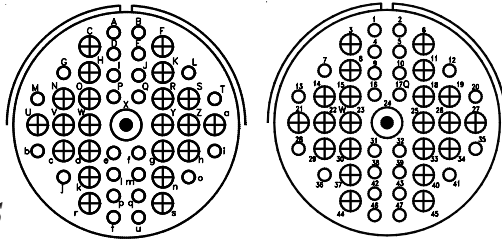


32-59  
2/8, 40/16  
A

**LEGENDA CONTATTI**  
**CONTACT LEGEND**

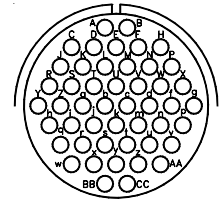


**47 CONTATTI**  
**47 CONTACTS**



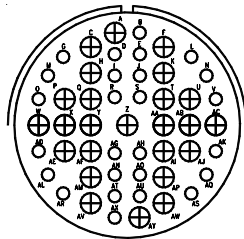
ARRANGEMENT	40-9	40-47
CONTACT SIZE	1/8 , 22/12 , 24/16	1/8 , 22/12 , 24/16
SERVICE RATING	A	A

**48 CONTATTI**  
**48 CONTACTS**



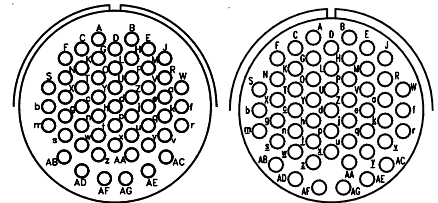
ARRANGEMENT	32-A48
CONTACT SIZE	16
SERVICE RATING	I

**51 CONTATTI**  
**51 CONTACTS**



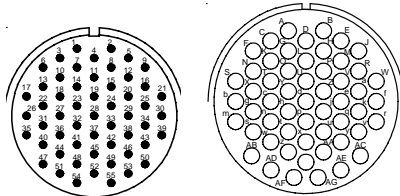
ARRANGEMENT	40-951
CONTACT SIZE	25/12 , 26/16
SERVICE RATING	A

**54 CONTATTI**  
**54 CONTACTS**



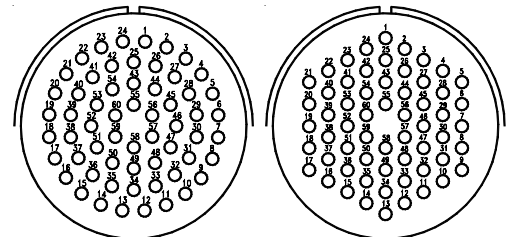
ARRANGEMENT	32-22	32-88
CONTACT SIZE	16	16
SERVICE RATING	A	A

**55 CONTATTI**  
**55 CONTACTS**



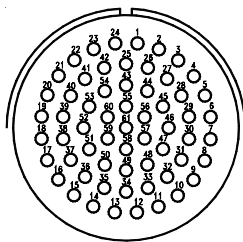
ARRANGEMENT	24-A55	32-A55
CONTACT SIZE	20	16
SERVICE RATING	I	A

**60 CONTATTI**  
**60 CONTACTS**



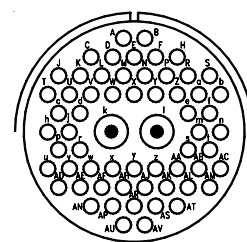
ARRANGEMENT	40-53	40-62
CONTACT SIZE	16	16
SERVICE RATING	A	A

**61 CONTATTI**  
**61 CONTACTS**



ARRANGEMENT	40-63
CONTACT SIZE	16
SERVICE RATING	A

**62 CONTATTI**  
**62 CONTACTS**

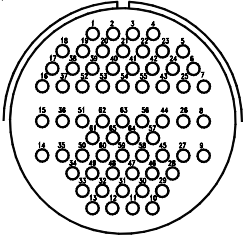
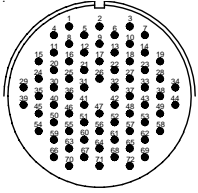
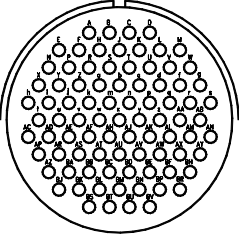
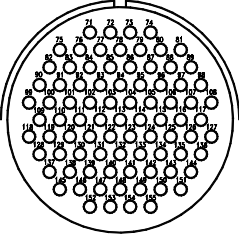
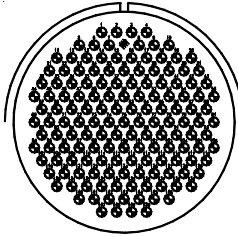


ARRANGEMENT	40-A62
CONTACT SIZE	2/8 , 60/16
SERVICE RATING	A

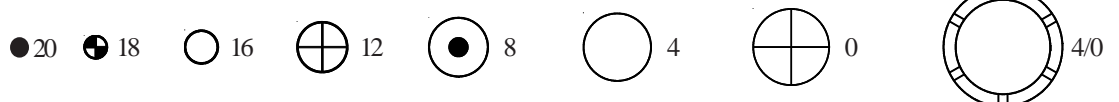
**LEGENDA CONTATTI**  
**CONTACT LEGEND**



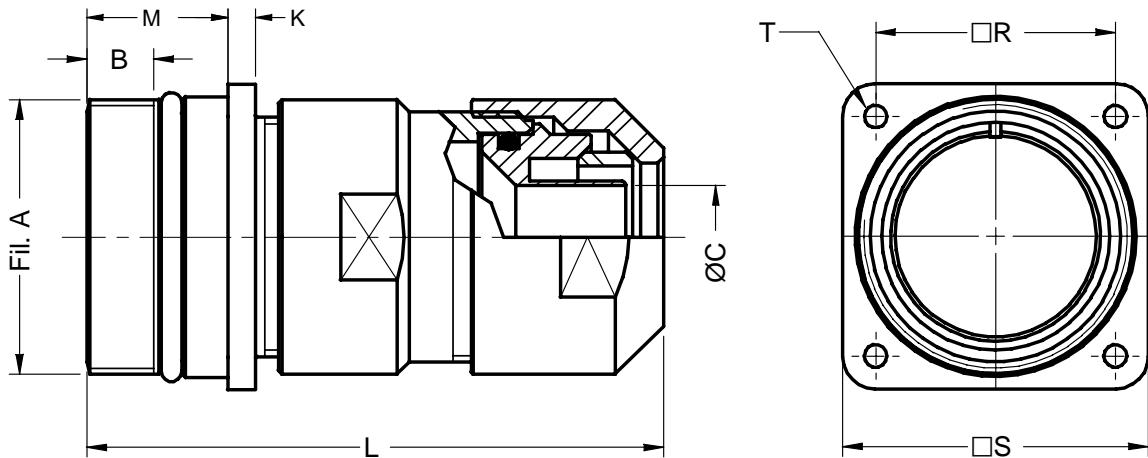
**Disposizione contatti**  
*Contact arrangement*

<p><b>65 CONTATTI</b> <i>65 CONTACTS</i></p> <p>ARRANGEMENT CONTACT SIZE SERVICE RATING</p>		<p><b>72 CONTATTI</b> <i>72 CONTACTS</i></p> <p>ARRANGEMENT CONTACT SIZE SERVICE RATING</p>		
	<p>40-A65 16 A</p>		<p>28-72 20 I</p>	
<p><b>85 CONTATTI</b> <i>85 CONTACTS</i></p> <p>ARRANGEMENT CONTACT SIZE SERVICE RATING</p>			<p><b>150 CONTATTI</b> <i>150 CONTACTS</i></p> <p>ARRANGEMENT CONTACT SIZE SERVICE RATING</p>	
	<p>40-56 16 A</p>	<p>40-A56 16 A</p>		<p>40-150 18 I</p>

**LEGENDA CONTATTI**  
*CONTACT LEGEND*



## Connettore da paratia *Wall mounting receptacle*



Es. / Ex. : ITZ3100R22-14PCRG21.2

Taglia Size	Taglia CRG CRG size	Filetto A A thread	B min	C min	K ±0.2	L Max	M +0.2 -0	R ±0.1	S ±0.2	T +0.1 -0
18	11.7 / 15.8	Tr30x3	9	8.5 / 11	4.0	95	19.1	27.00	35.0	3.2
22	11.7 / 21.2	Tr37x3	9	8.5 / 15	4.0	95	19.6	31.75	41.0	3.2
24	21.2 / 28.3	Tr40x3	9	15 / 22	4.0	100	20.6	34.90	44.5	3.7
28	21.2 / 28.3	Tr46x3	9	15 / 22	4.0	100	20.7	39.70	50.9	3.7

Connettore fisso a flangia quadra per montaggio da fronte pannello, dotato di serracavo per guaina plastica corrugata.

Classe A: zoccolo isolante non fornito.

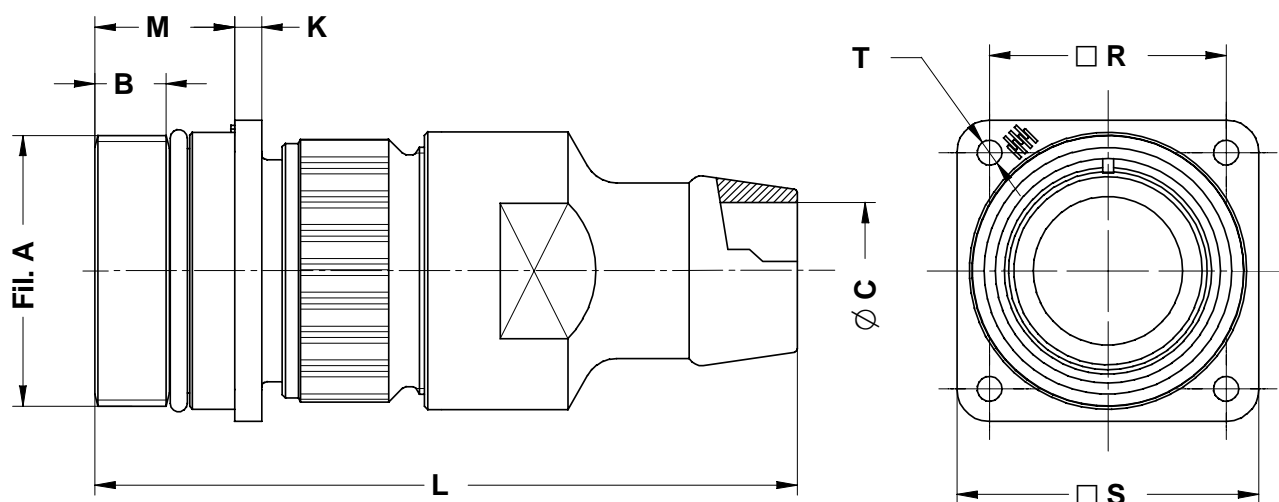
Classe R: include zoccolo isolante.

*Fixed connector with square flange, for front panel mounting, for use with plastic conduits.*

*Class A: no grommet supplied.*

*Class R: includes sealing grommet.*

**Connettore da paratia**  
*Wall mounting receptacle*



Es. / Ex. : ITZ3100R22-14PD22722

Taglia Size	UNI4883 Conduits	Filetto A A thread	B min	C min	K ±0.2	L Max	M +0.2 -0	R ±0.1	S ±0.2	T +0.1 -0
18	2722	Tr 30 x 3	9	20.5	4.0	103.0	19.1	27.00	35.0	3.2
22	2722	Tr 37 x 3	9	20.5	4.0	103.0	19.6	31.75	41.0	3.2
24	3328	Tr 40 x 3	9	26.5	4.0	104.5	20.6	34.90	44.5	3.7
28	3328	Tr 46 x 3	9	26.5	4.0	111.0	20.7	39.70	50.9	3.7
32	3833	Tr 53 x 3	9	31.5	4.0	116.5	22.3	44.45	57.0	4.3
40	5045	Tr 65 x 2	9	43.5	4.0	122.0	22.3	55.50	69.9	4.3

Connettore fisso a flangia quadra per montaggio da fronte pannello, dotato di raccordo per il serraggio di tubi in gomma telata UNI 4883.

Classe A: zoccolo isolante non fornito.

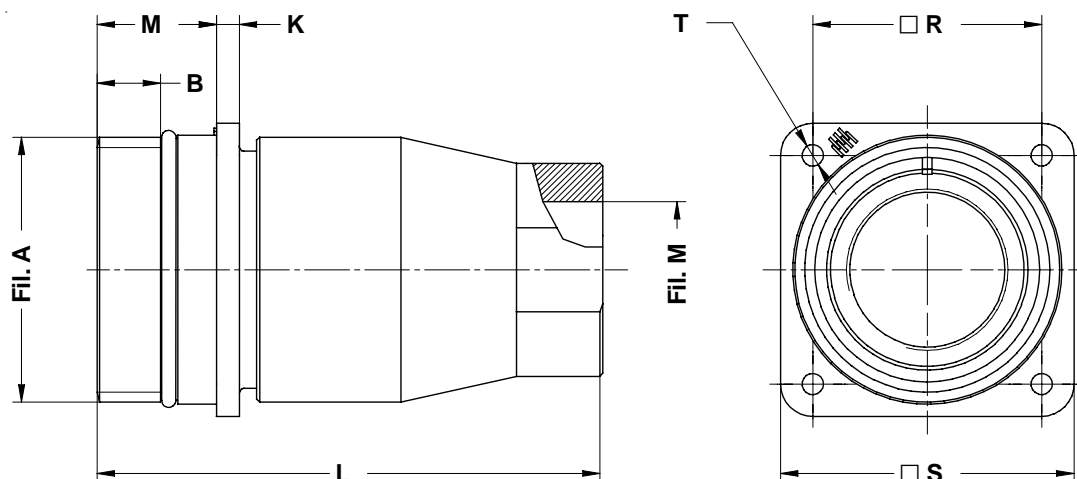
Classe R: include zoccolo isolante.

*Fixed connector with square flange, for front panel mounting, for use with UNI 4883 rubber conduits.*

*Class A: no grommet supplied.*

*Class R: includes sealing grommet.*

## Connettore da paratia *Wall mounting receptacle*



Es. / Ex. : ITZ3100A22-14PPM20

Taglia Size	Filetto M M thread	Filetto A A thread	B min	K ±0.2	L Max	M +0.2 -0	R ±0.1	S ±0.2	T +0.1 -0
18	M 16 x 1,5	Tr 30 x 3	9	4.0	71	19.1	27.00	35.0	3.2
22	M 20 x 1,5	Tr 37 x 3	9	4.0	75	19.6	31.75	41.0	3.2
24	M 20 x 1,5	Tr 40 x 3	9	4.0	77	20.6	34.90	44.5	3.7
28	M 25 x 1,5	Tr 46 x 3	9	4.0	81	20.7	39.70	50.9	3.7
32	M 32 x 1,5	Tr 53 x 3	9	4.0	87	22.3	44.45	57.0	4.3
40	M 40 x 1,5	Tr 65 x 2	9	4.0	97	22.3	55.50	69.9	4.3

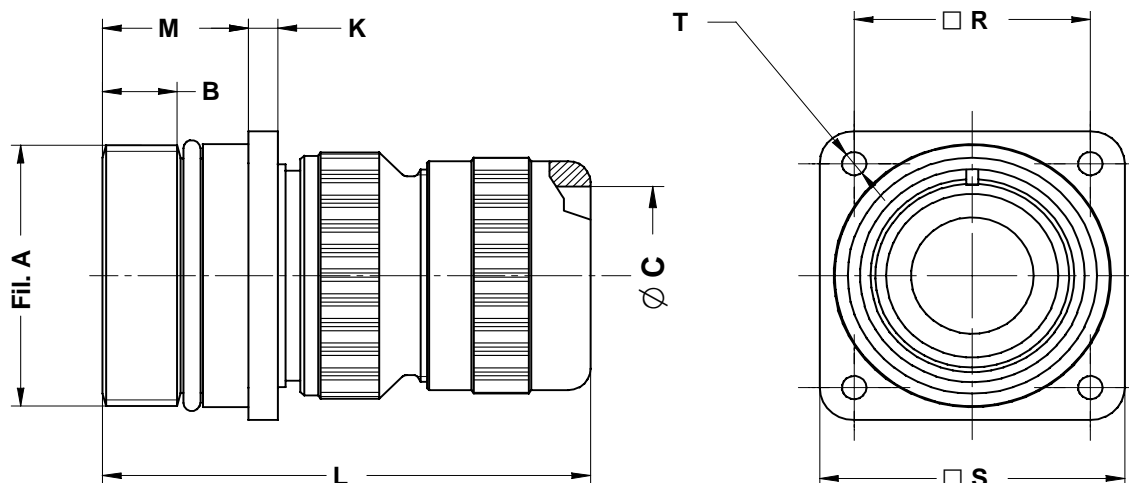
Connettore fisso a flangia quadra per montaggio da fronte pannello con adattatore per serracavo metrico, non incluso. Altri tipi di adattatori possono essere forniti nelle varie taglie a richiesta.

Fornito senza zoccolo isolante.

*Fixed connector with square flange, for front panel mounting with adaptor for metric cable glands (not included). Other types of adaptors can be supplied in various sizes upon request.*

*No grommet supplied.*

**Connettore da paratia**  
*Wall mounting receptacle*



Es./Ex. : ITZ3100A22-14PPHM18

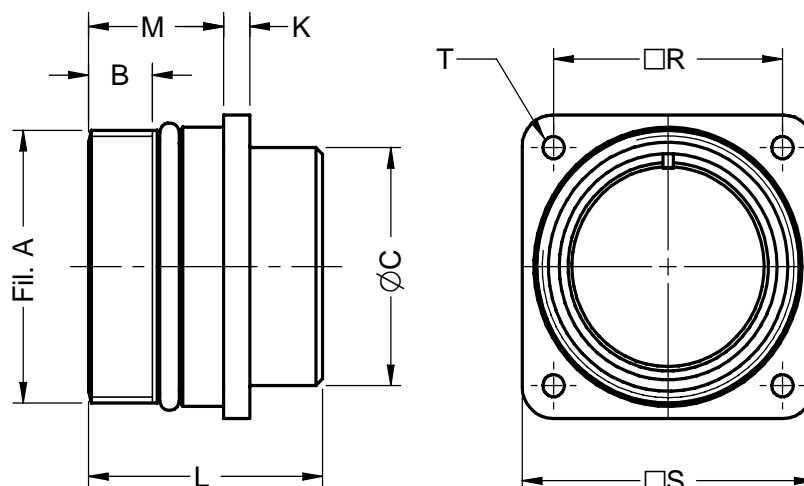
Taglia Size	P.N. PHM	Filetto A A thread	B min	C min - max	K ±0.2	L Max	M +0.2 -0	R ±0.1	S ±0.2	T +0.1 -0
18	18	Tr 30 x 3	9	2÷16.5	4.0	70	19.1	27.00	35.0	3.2
22	18	Tr 37 x 3	9	2÷16.5	4.0	70	19.6	31.75	41.0	3.2
24	18	Tr 40 x 3	9	2÷16.5	4.0	80	20.6	34.90	44.5	3.7
28	18 / 22	Tr 46 x 3	9	2÷16.5 / 15÷20	4.0	80	20.7	39.70	50.9	3.7
32	22 / 24	Tr 53 x 3	9	15÷20 / 19÷24	4.0	80	22.3	44.45	57.0	4.3
40	35	Tr 65 x 2	9	23÷35	4.0	95	22.3	55.50	69.9	4.3

Connettore fisso a flangia quadra per montaggio da fronte pannello. Fornito completo di serracavo PHM. Garantisce una ottima tenuta meccanica sul cavo e ambientale se provvisto di appositi O-Ring.  
Zoccolo isolante non fornito.

*Fixed connector with square flange, for front panel mounting.  
Includes a PHM cable clamp that assures an excellent mechanical and waterproof seal if used with the correct neoprene sealing sleeves.  
No grommet supplied.*



**Connettore da paratia**  
*Wall mounting receptacle*



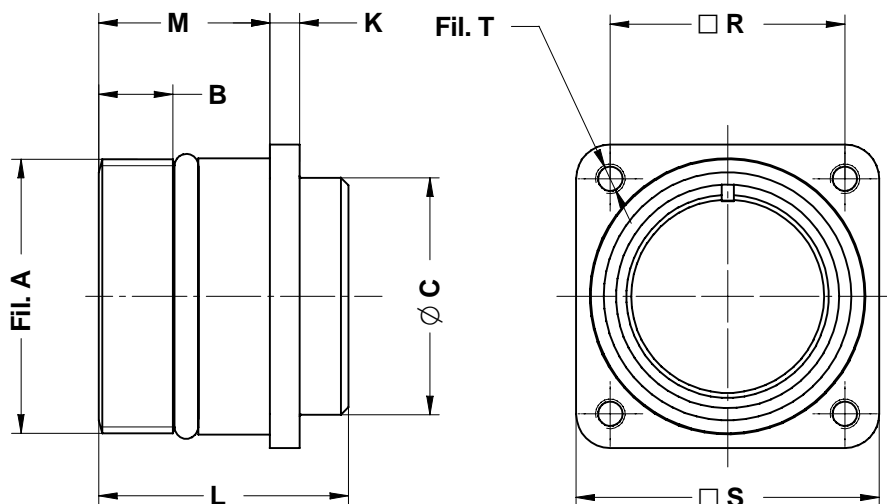
Es. / Ex. : ITZ3102R22-14P

Taglia Size	Filetto A A thread	B min.	C +0.2 -0	K $\pm 0.2$	L $\pm 0.2$	M +0.2 -0	R $\pm 0.1$	S $\pm 0.2$	T
<b>18</b>	Tr30x3	9	25.2	4.0	34.2	19.1	27.00	35.0	3.2
<b>22</b>	Tr37x3	9	31.7	4.0	34.2	19.6	31.75	41.0	3.2
<b>24</b>	Tr40x3	9	34.9	4.0	35.7	20.6	34.90	44.5	3.7
<b>28</b>	Tr46x3	9	41.4	4.0	35.7	20.7	39.70	50.9	3.7
<b>32</b>	Tr53x3	9	47.8	4.0	37.3	22.3	45.55	57.0	4.3
<b>40</b>	Tr65x2	9	58.7	4.0	37.3	22.3	55.50	69.9	4.3

Connettore fisso a flangia quadra per  
 montaggio da fronte pannello.

*Fixed connector with square flange, for  
 front panel mounting.*

**Connettore da pannello**  
*Box mounting receptacle*



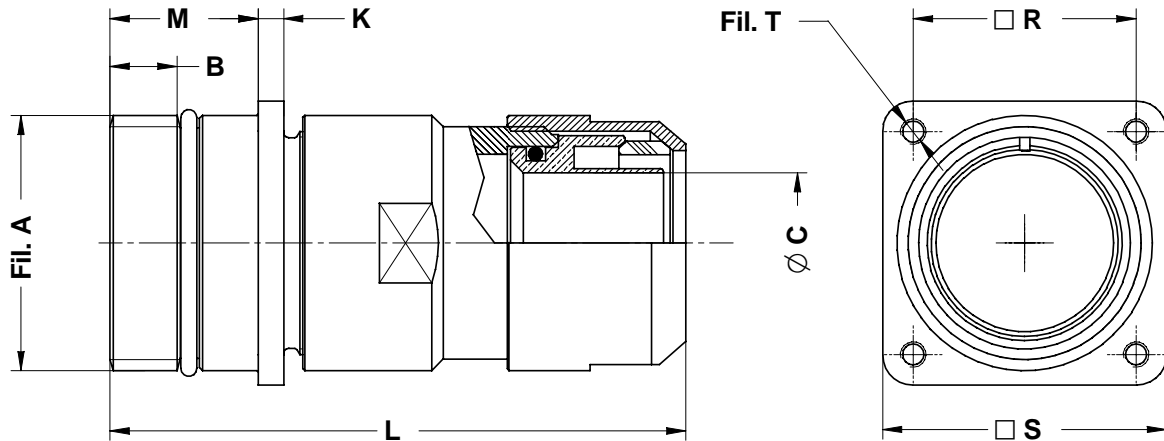
Es. / Ex. : ITZ3103R22-14P

Taglia Size	Filetto A A thread	B min.	C +0.2 -0	K ±0.2	L ±0.2	M +0.2 -0	R ±0.1	S ±0.2	Fil. T T thread
18	Tr30x3	9	25.2	4.0	34.2	23.2	27.00	35.0	M4
22	Tr37x3	9	31.7	4.0	34.2	23.2	31.75	41.0	M4
24	Tr40x3	9	34.9	4.0	35.7	23.2	34.90	44.5	M4
28	Tr46x3	9	41.4	4.0	35.7	24.4	39.70	50.9	M5
32	Tr53x3	9	47.8	4.0	37.3	24.2	45.55	57.0	M5
40	Tr65x2	9	58.7	4.0	37.3	24.4	55.50	69.9	M5

Connettore fisso a flangia quadra per  
montaggio da retro pannello.

*Fixed connector with square flange, for rear  
panel mounting.*

**Connettore da pannello**  
*Box mounting receptacle*



Es./Ex. : ITZ31030A22-14PCRG21.2

Taglia Size	Taglia CRG CRG size	Filetto A A thread	B min	C min	K ±0.2	L Max	M +0.2 -0	R ±0.1	S ±0.2	Fil.T +0.1 -0
18	11.7 / 15.8	Tr 30 x 3	9	8.5 / 11	4.0	100	23.2	27.00	35.0	M4
22	11.7 / 21.2	Tr 37 x 3	9	8.5 / 15	4.0	100	23.2	31.75	41.0	M4
24	21.2 / 28.3	Tr 40 x 3	9	15 / 22	4.0	105	23.2	34.90	44.5	M4
28	21.2 / 28.3	Tr 46 x 3	9	15 / 22	4.0	105	24.4	39.70	50.9	M5

Connettore fisso a flangia quadra per montaggio da retro pannello, dotato di serracavo per guaina plastica corrugata.

Classe A: zoccolo isolante non fornito.

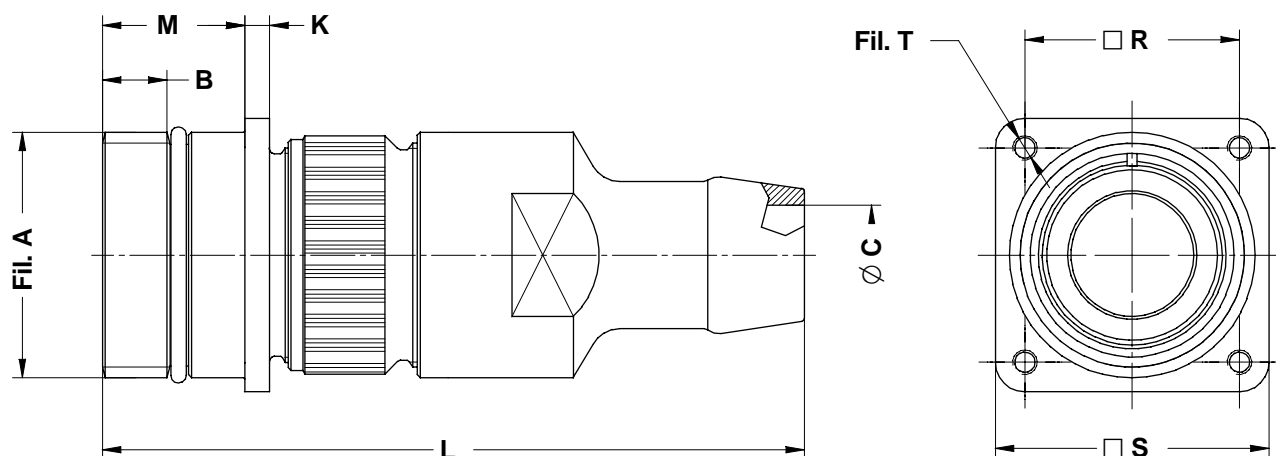
Classe R: include zoccolo isolante.

*Fixed connector with square flange, for rear panel mounting, for use with plastic conduits.*

*Class A: no grommet supplied.*

*Class R: includes sealing grommet.*

**Connettore da pannello**  
*Box mounting receptacle*



Es. / Ex. : ITZ31030A22-14PD22722

Taglia Size	UNI4883 Conduits	Filetto A A thread	B min	C min	K ±0.2	L Max	M +0.2 -0	R ±0.1	S ±0.2	Fil. T T thread
18	2722	Tr30x3	9	20.5	4.0	108.0	23.2	27.00	35.0	M4
22	2722	Tr37x3	9	20.5	4.0	108.0	23.2	31.75	41.0	M4
24	3328	Tr40x3	9	26.5	4.0	109.5	23.2	34.90	44.5	M4
28	3328	Tr46x3	9	26.5	4.0	116.0	24.4	39.70	50.9	M5
32	3833	Tr53x3	9	31.5	4.0	121.5	24.2	44.45	57.0	M5
40	5045	Tr65x2	9	43.5	4.0	127.0	24.4	55.50	69.9	M5

Connettore fisso a flangia quadra per montaggio da retro pannello, dotato di raccordo per il serraggio di tubi in gomma telata UNI 4883.

Classe A: zoccolo isolante non fornito.

Classe R: include zoccolo isolante.

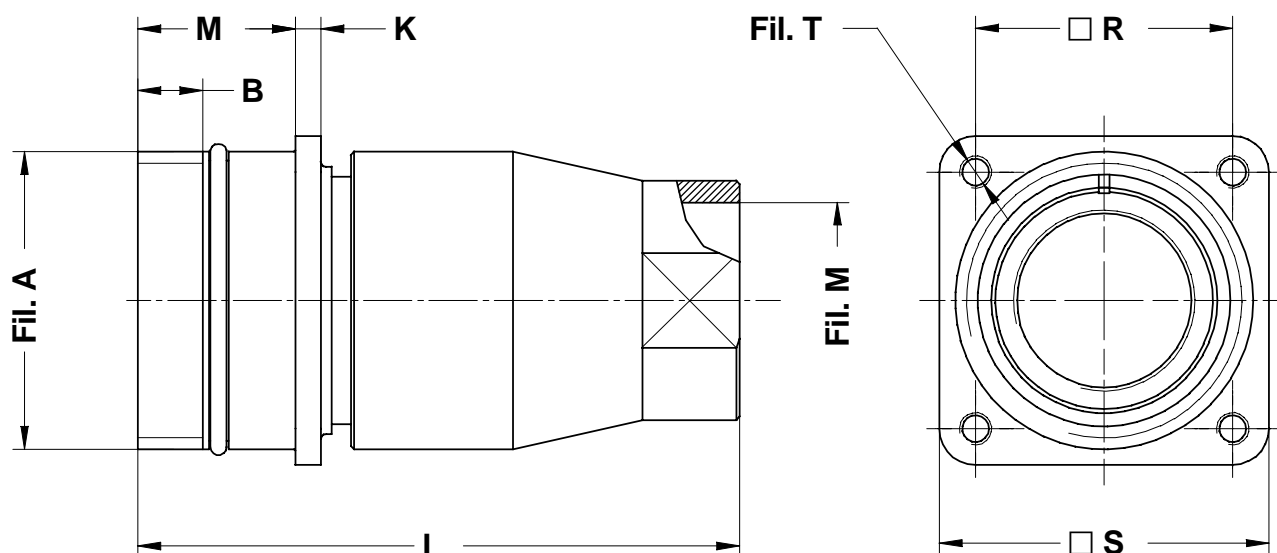
*Fixed connector with square flange, for rear panel mounting, for use with UNI 4883 rubber conduits.*

*Class A: no grommet supplied.*

*Class R: includes sealing grommet.*

## Connettore da pannello

### *Box mounting receptacle*



Es. / Ex. : ITZ31030A22-14PPM20

Taglia Size	Filetto M M thread	Filetto A A thread	B min	K ±0.2	L Max	M +0.2 -0	R ±0.1	S ±0.2	Fil. T T thread
18	M 16 x 1,5	Tr 30 x 3	9	4.0	76	23.2	27.00	35.0	M4
22	M 20 x 1,5	Tr 37 x 3	9	4.0	80	23.2	31.75	41.0	M4
24	M 20 x 1,5	Tr 40 x 3	9	4.0	82	23.2	34.90	44.5	M4
28	M 25 x 1,5	Tr 46 x 3	9	4.0	86	24.4	39.70	50.9	M5
32	M 32 x 1,5	Tr 53 x 3	9	4.0	92	24.2	44.45	57.0	M5
40	M 40 x 1,5	Tr 65 x 2	9	4.0	102	24.4	55.50	69.9	M5

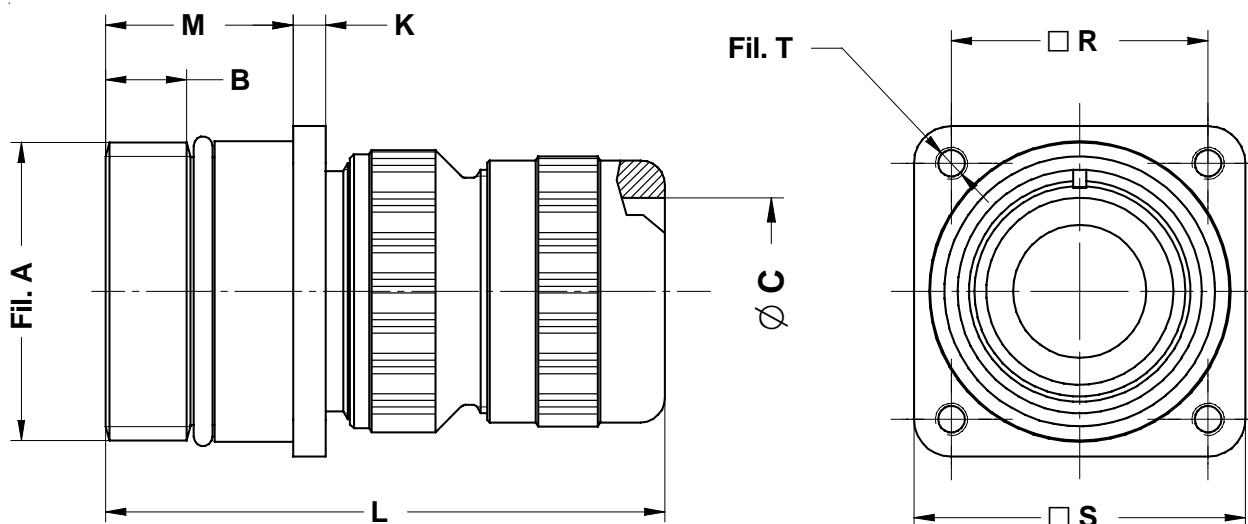
Connettore fisso a flangia quadra per montaggio da retro pannello con adattatore per serracavo metrico, non incluso. Altri tipi di adattatori possono essere forniti nelle varie taglie a richiesta.

Fornito senza zoccolo isolante.

*Fixed connector with square flange, for rear panel mounting with adaptor for metric cable glands (not included). Other types of adaptors can be supplied in various sizes upon request.*

*No grommet supplied.*

**Connettore da pannello**  
*Box mounting receptacle*



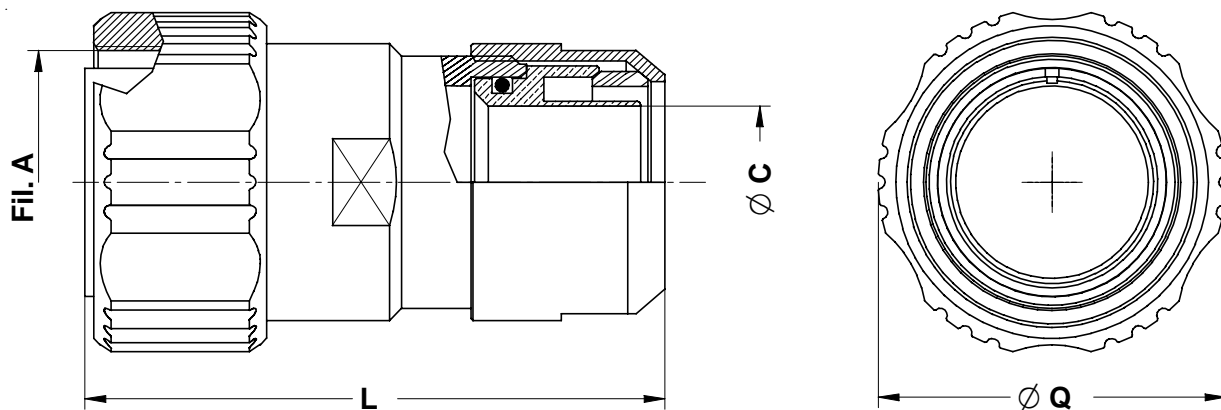
Es. / Ex. : ITZ31030A22-14PPHM18

Taglia Size	P.N. PHM	Filetto A A thread	B min	C min - max	K $\pm 0.2$	L Max	M $+0.2 -0$	R $\pm 0.1$	S $\pm 0.2$	Fil. T T thread
18	18	Tr30x3	9	2÷16.5	4.0	75	23.2	27.00	35.0	M4
22	18	Tr37x3	9	2÷16.5	4.0	75	23.2	31.75	41.0	M4
24	18	Tr40x3	9	2÷16.5	4.0	85	23.2	34.90	44.5	M4
28	18/22	Tr46x3	9	2÷16.5/ 15÷20	4.0	85	24.4	39.70	50.9	M5
32	22/24	Tr53x3	9	15÷20/ 19÷24	4.0	85	24.2	44.45	57.0	M5
40	35	Tr65x2	9	23÷35	4.0	100	24.4	55.50	69.9	M5

Connettore fisso a flangia quadra per montaggio da retro pannello. Fornito completo di serracavo PHM. Garantisce una ottima tenuta meccanica sul cavo e ambientale se provvisto di appositi O-Ring. Zoccolo isolante non fornito.

*Fixed connector with square flange, for rear panel mounting. Includes a PHM cable clamp that assures an excellent mechanical and waterproof seal if used with the correct neoprene sealing sleeves. No grommet supplied.*

**Connettore volante diritto**  
*Straight plug*



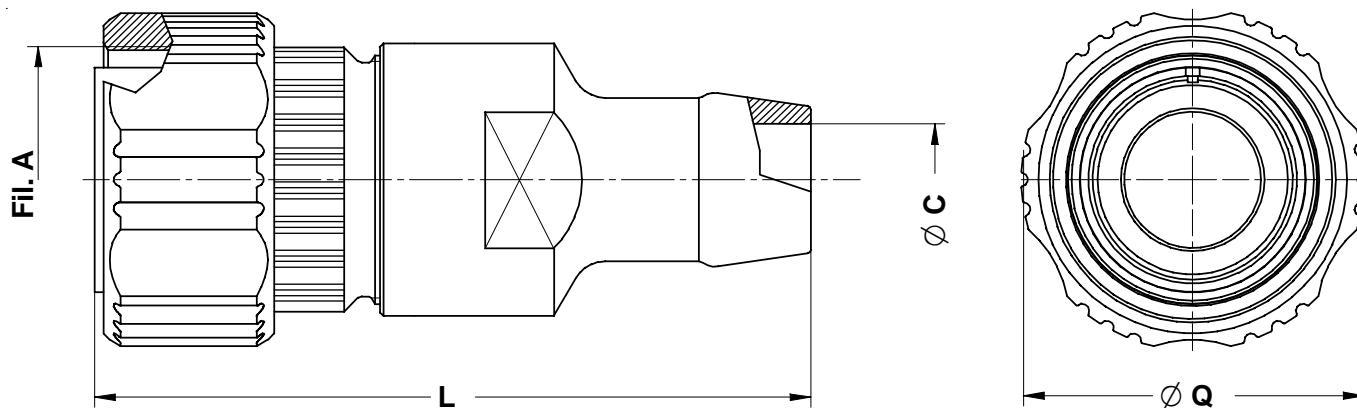
Es./Ex. : ITZ3106A22-14PCRG21.2

Taglia Size	Taglia CRG CRG size	Filetto A A thread	C min	L Max.	Q ±0.1
18	11.7 / 15.8	Tr30x3	8.5 / 11	100	36
22	11.7 / 21.2	Tr37x3	8.5 / 15	100	43
24	21.2 / 28.3	Tr40x3	15 / 22	105	46
28	21.2 / 28.3	Tr46x3	15 / 22	105	53

Connettore volante diritto, dotato di serracavo per guaina plastica corrugata.  
 Classe A: zoccolo isolante non fornito.  
 Classe R: include zoccolo isolante.

*Straight plug, for use with plastic conduits.*  
*Class A: no grommet supplied .*  
*Class R: includes sealing grommet.*

**Connettore volante diritto**  
*Straight plug*



Es./ Ex. : ITZ3106A22-14PD22722

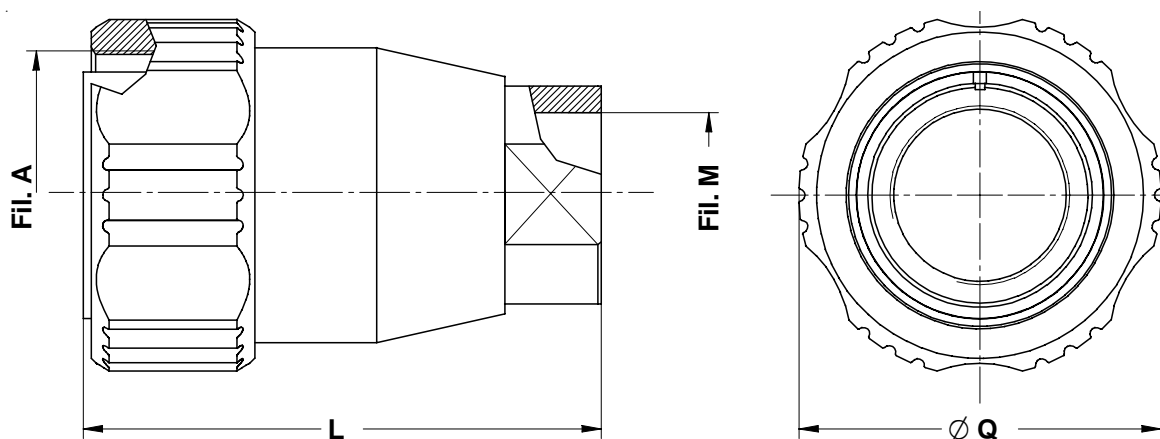
Taglia Size	UNI 4883 Conduits	Filetto A A thread	C min	L Max.	Q ±0.1
18	2722	Tr 30 x 3	20.5	103.0	36
22	2722	Tr 37 x 3	20.5	103.0	43
24	3328	Tr 40 x 3	26.5	104.5	46
28	3328	Tr 46 x 3	26.5	111.0	53
32	3833	Tr 53 x 3	31.5	116.5	60
40	5045	Tr 65 x 2	43.5	122.0	72

Connettore volante diritto, dotato di raccordo per tubo in gomma telata UNI 4883.  
 Classe A: zoccolo isolante non fornito.  
 Classe R: include zoccolo isolante.

*Straight plug, for use with UNI 4883 rubber conduits.*  
*Class A: no grommet supplied .*  
*Class R: includes sealing grommet.*



## Connettore volante diretto *Straight plug*



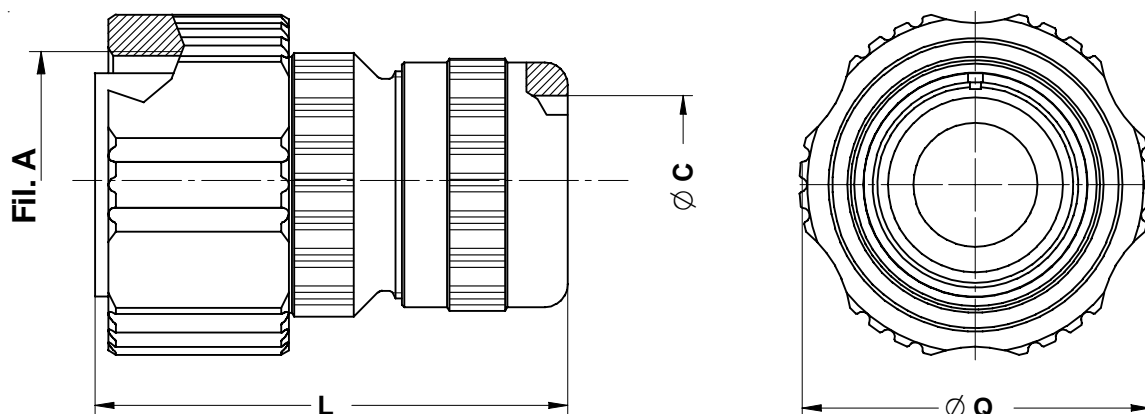
Es. / Ex. : ITZ3106A22-14PPM20

Taglia Size	Filetto M M thread	Filetto A A thread	L Max.	Q ±0.1
18	M 16 x 1,5	Tr 30 x 3	72	36
22	M 20 x 1,5	Tr 37 x 3	75	43
24	M 20 x 1,5	Tr 40 x 3	77	46
28	M 25 x 1,5	Tr 46 x 3	82	53
32	M 32 x 1,5	Tr 53 x 3	87	60
40	M 40 x 1,5	Tr 65 x 2	97	72

Connettore volante diretto, con adattatore per serracavo metrico, non incluso. Altri tipi di adattatori possono essere forniti nelle varie taglie a richiesta.  
Zoccolo isolante non fornito.

*Straight plug, with adaptor for metric cable glands (not included). Other types of adaptors can be supplied in various sizes upon request.  
No grommet supplied.*

**Connettore volante diritto**  
*Straight plug*



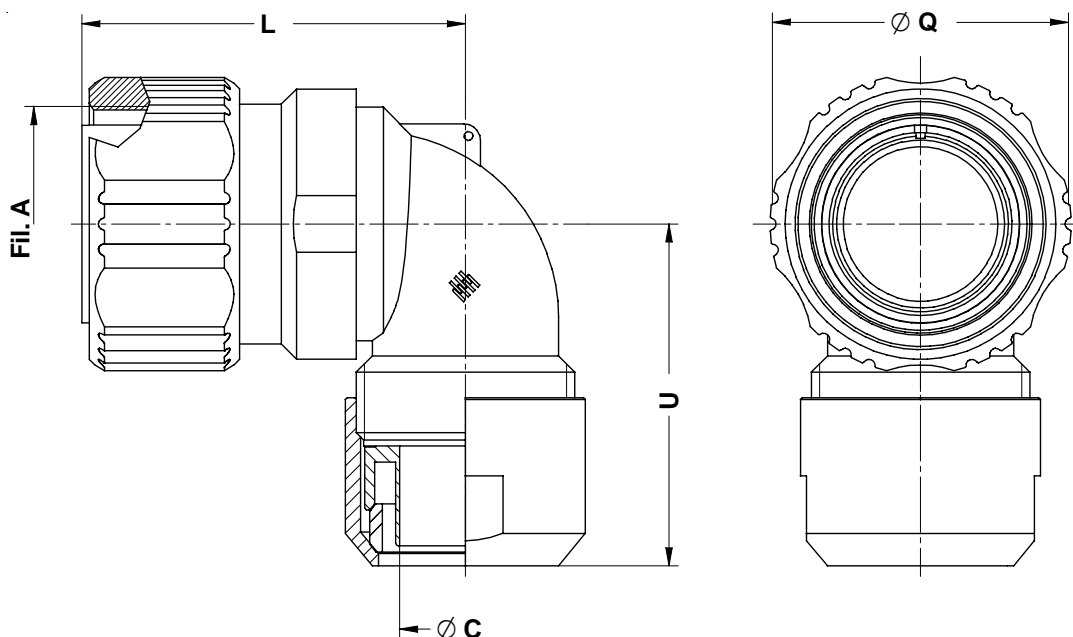
Es./Ex. : ITZ3106A22-14PPHM18

Taglia Size	P.N. PHM	Filetto A A thread	C min - max	L Max.	Q ±0.1
18	18	Tr30 x3	2÷16.5	70	36
22	18	Tr37 x3	2÷16.5	70	43
24	18	Tr40 x3	2÷16.5	80	46
28	18 / 22	Tr46 x3	2÷16.5 / 15÷20	80	53
32	22 / 24	Tr53 x3	15÷20 / 19÷24	80	60
40	35	Tr65 x2	23÷35	95	72

Connettore volante diritto. Fornito completo di serracavo PHM. Garantisce una ottima tenuta meccanica sul cavo e ambientale se provvisto di appositi O-Ring.  
Zoccolo isolante non fornito.

*Straight plug. Includes a PHM cable clamp that assures an excellent mechanical and waterproof seal if used with the correct neoprene sealing sleeves.  
No grommet supplied.*

### Connettore volante curvo 90° plug



Es. / Ex. : ITZ3108A22-14PCRG21.2

Taglia Size	Taglia CRG CRG size	Filetto A A thread	C min.	L ±0.2	Q ±0.1	U Max.
18	11.7 / 15.8	Tr 30 x 3	8.5 / 11	34.2	36	59
22	11.7 / 21.2	Tr 37 x 3	8.5 / 15	34.2	43	60
24	21.2 / 28.3	Tr 40 x 3	15 / 22	35.7	46	60
28	21.2 / 28.3	Tr 46 x 3	15 / 22	35.7	53	65

Connettore volante con uscita cavo a 90°, dotato di serracavo per guaina plastica corrugata.

Classe A: zoccolo isolante non fornito.

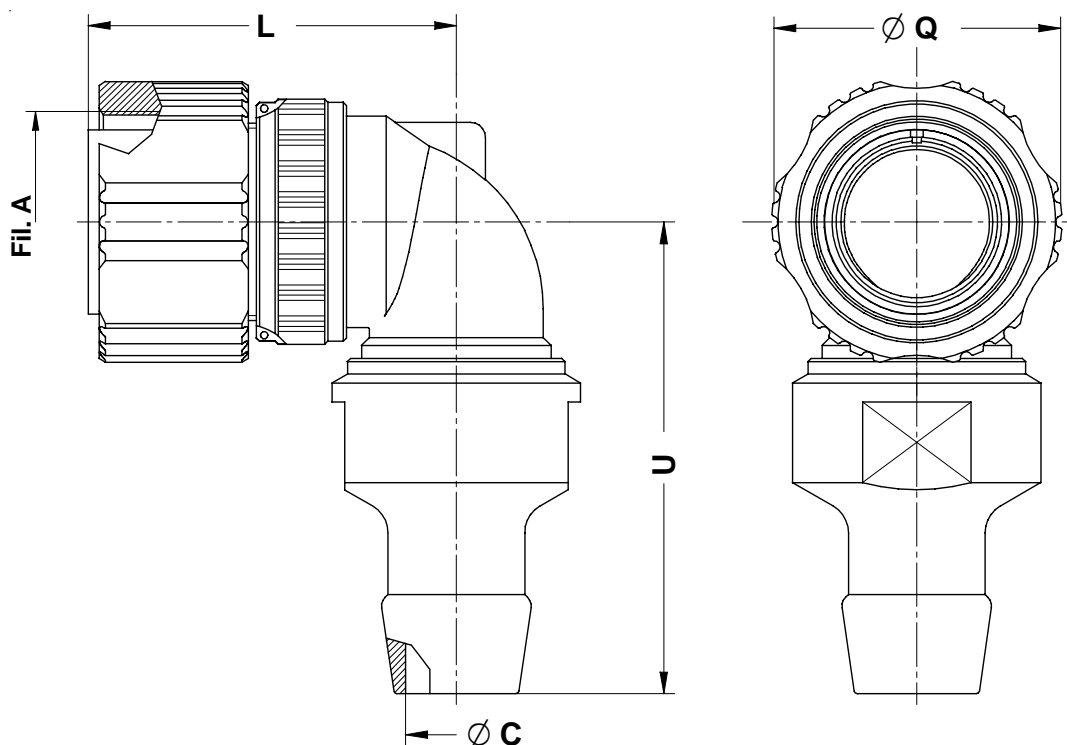
Classe R: include zoccolo isolante.

Plug with 90° backshell, for use with plastic conduits.

Class A: no grommet supplied.

Class R: includes sealing grommet.

**Connettore volante curvo**  
**90° plug**



Es. / Ex. : ITZ3108A22-14PD22722

Taglia Size	UNI 4883 Conduits	Filetto A A thread	C min.	L ±0.2	Q ±0.1	U Max.
18	2722	Tr30x3	20.5	34.2	36	80.0
22	2722	Tr37x3	20.5	34.2	43	82.0
24	3328	Tr40x3	26.5	35.7	46	87.0
28	3328	Tr46x3	26.5	35.7	53	88.0
32	3833	Tr53x3	31.5	72.0	60	95.5
40	5045	Tr65x2	43.5	77.5	72	102.0

Connettore volante con uscita cavo a 90°, dotato di raccordo per il serraggio di tubi in gomma telata UNI 4883.

Classe A: zoccolo isolante non fornito.

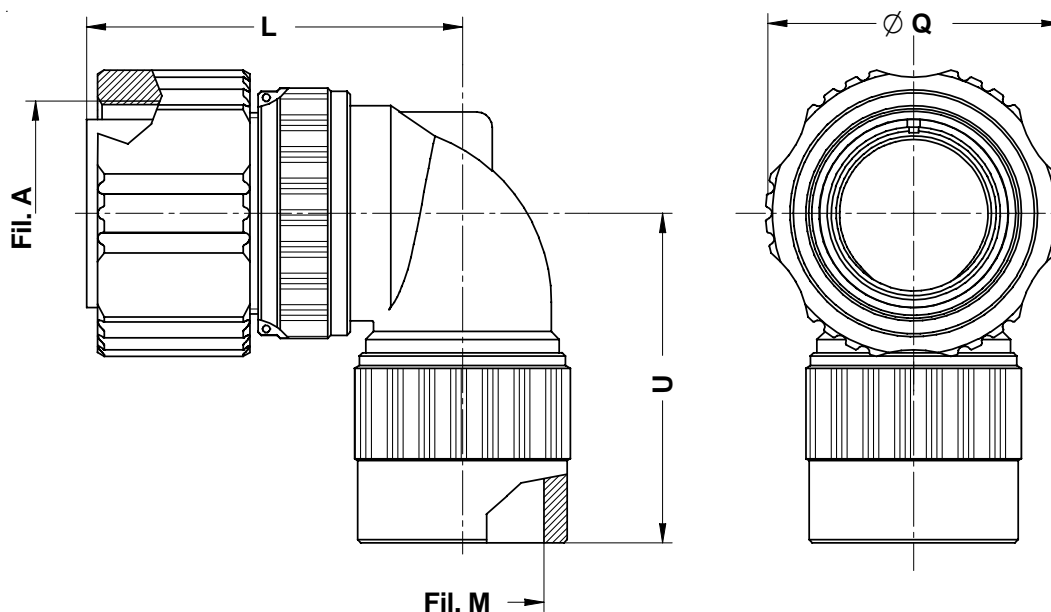
Classe R: include zoccolo isolante.

*Plug with 90° backshell, for use with UNI 4883 rubber conduits.*

*Class A: no grommet supplied.*

*Class R: includes sealing grommet.*

## Connettore volante curvo 90° plug



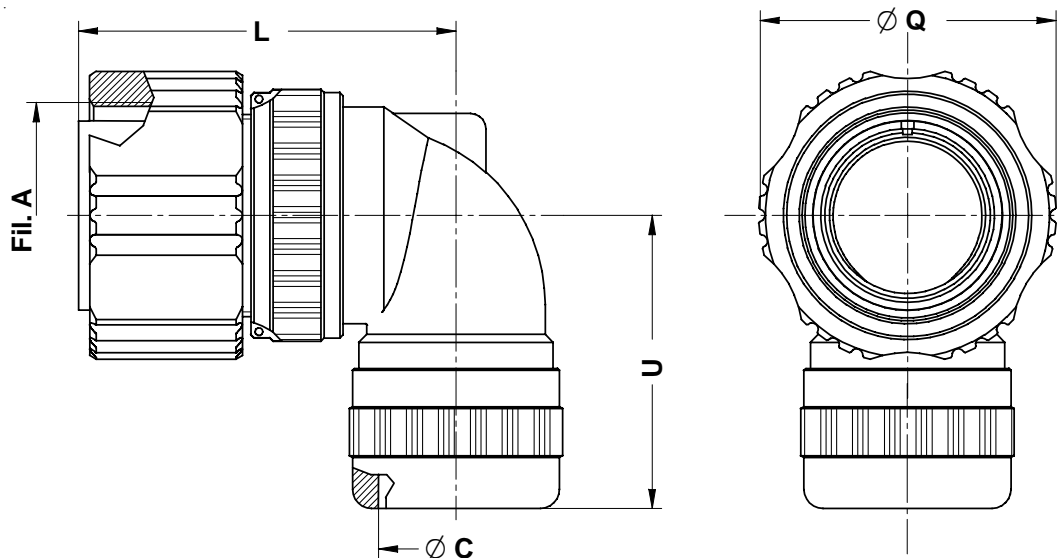
Es. / Ex. : ITZ3108A22-14PPM20

Taglia Size	Filetto M M thread	Filetto A A thread	L ±0.2	Q ±0.1	U Max.
18	M 16 x 1,5	Tr 30 x 3	34.2	36	59
22	M 20 x 1,5	Tr 37 x 3	34.2	43	60
24	M 20 x 1,5	Tr 40 x 3	35.7	46	60
28	M 25 x 1,5	Tr 46 x 3	35.7	53	65
32	M 32 x 1,5	Tr 53 x 3	72.0	60	78
40	M 40 x 1,5	Tr 65 x 2	77.5	72	90

Connettore volante con uscita cavo a 90°, con adattatore per serracavo metrico, non incluso. Altri tipi di adattatori possono essere forniti nelle varie taglie a richiesta.  
Zoccolo isolante non fornito.

*Plug with 90° backshell and adaptor for metric cable glands (not included). Other types of adaptors can be supplied in various sizes upon request.  
No grommet supplied.*

**Connettore volante curvo**  
**90° plug**



Es./Ex. : ITZ3108A22-14PPHM18

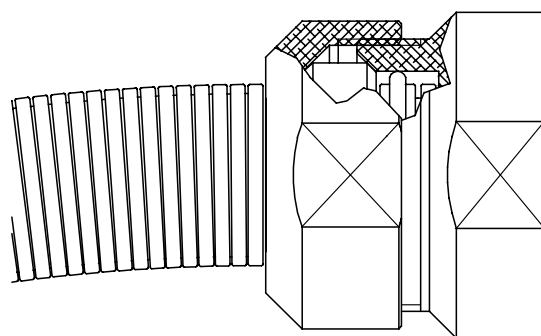
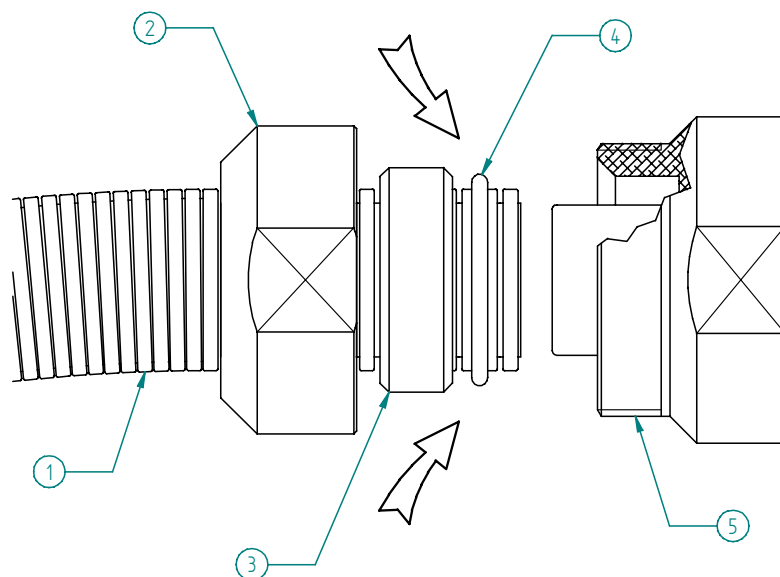
Taglia Size	P.N. PHM	Filetto A A thread	C min - max	L ±0.2	Q ±0.1	U Max.
18	18	Tr 30 x 3	2÷16.5	34.2	36	47.0
22	18	Tr 37 x 3	2÷16.5	34.2	43	49.0
24	18	Tr 40 x 3	2÷16.5	35.7	46	58.0
28	18 / 22	Tr 46 x 3	2÷16.5 / 15÷20	35.7	53	59.0
32	22 / 24	Tr 53 x 3	15÷20 / 19÷24	72.0	60	70.5
40	35	Tr 65 x 2	23÷35	77.5	72	77.0

Connettore volante con uscita cavo a 90°. Fornito completo di serracavo PHM. Garantisce una ottima tenuta meccanica sul cavo e ambientale se provvisto di appositi O-Ring. Zoccolo isolante non fornito.

*Plug with 90° backshell. Includes a PHM cable clamp that assures an excellent mechanical and waterproof seal if used with the correct neoprene sealing sleeves. No grommet supplied.*

## Istruzioni di assemblaggio guaina corrugata

### *Wrinkled conduit assembly instructions*



Disporre sulla guaina (1) i componenti dell'adattatore come da figura.

Posizionare l'O-ring (4) sulla seconda cava della guaina.

Posizionare l'estremità della guaina sull'adattatore (5) facilitando l'inserimento dell'O-ring con le dita e spingere fino a battuta.

Posizionare il cono (3) contro l'adattatore.

Avvitare la ghiera (2) sull'adattatore per mezzo delle apposite chiavi.

*Arrange the components of the adaptor over the conduit as shown.*

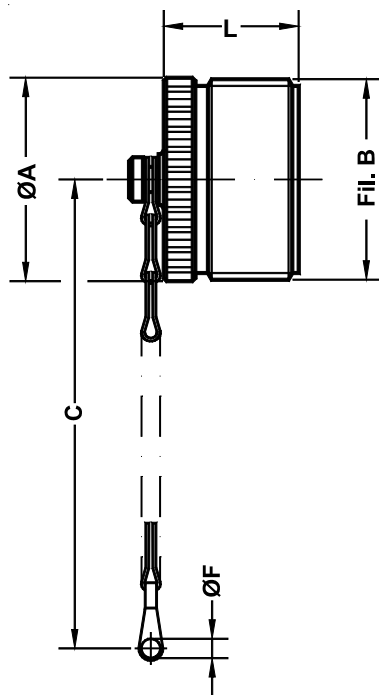
*Place the O-ring on the 2nd cavity of the conduit.*

*Put the edge of the conduit on the adaptor and push until it stops, helping the insertion of the O-ring with the fingers.*

*Place the cone against the adaptor.*

*Thread the nut on the adaptor with the right keys.*

**Tappo per connettori volanti**  
*Cap for plug connectors*



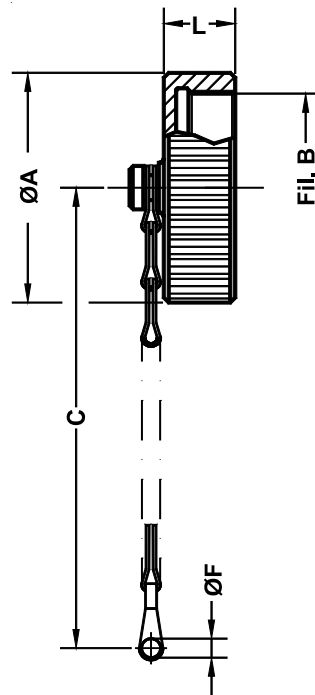
Codice Part Number	Taglia Size	ØA	Filetto B B thread	C min	ØF +0.25 -0.13	L
ITZ 06T-18	18	30.0	Tr 30 x 3	115	3.95	21.4
ITZ 06T-22	22	36.4	Tr 37 x 3	127	4.80	21.4
ITZ 06T-24	24	39.6	Tr 40 x 3	140	4.80	21.4
ITZ 06T-28	28	46.0	Tr 46 x 3	197	4.80	21.4
ITZ 06T-32	32	52.0	Tr 53 x 3	197	5.60	21.4
ITZ 06T-40	40	65.0	Tr 65 x 2	197	5.60	21.4

Tappo metallico con catena in acciaio inox.

*Metal cap with stainless steel chain.*



**Tappo per connettori da pannello**  
*Cap for receptacle connectors*

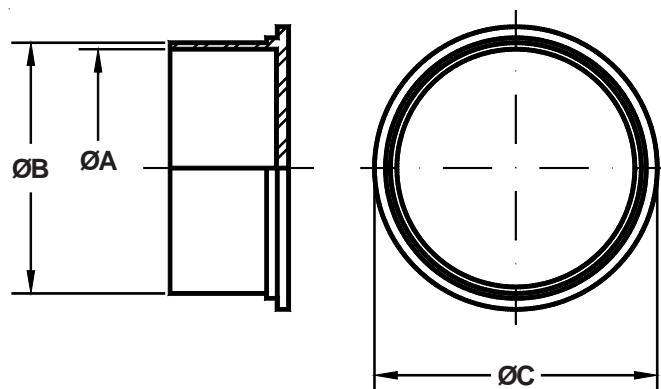


<b>Codice Part Number</b>	<b>Taglia Size</b>	<b>ØA</b>	<b>Filetto B B thread</b>	<b>C min</b>	<b>ØF +0.25 -0.13</b>	<b>L</b>
<b>IT Z 02T-18</b>	18	34.1	Tr 30 x 3	115	3.55	11.9
<b>IT Z 02T-22</b>	22	40.4	Tr 37 x 3	127	3.55	11.9
<b>IT Z 02T-24</b>	24	43.6	Tr 40 x 3	140	4.30	11.9
<b>IT Z 02T-28</b>	28	50.0	Tr 46 x 3	197	4.30	13.5
<b>IT Z 02T-32</b>	32	56.3	Tr 53 x 3	197	4.80	13.5
<b>IT Z 02T-40</b>	40	69.0	Tr 65 x 2	197	4.80	13.5

Tappo metallico con catena in acciaio inox.

*Metal cap with stainless steel chain.*

**Tappo plastico antipolvere**  
*Protective plastic cap*

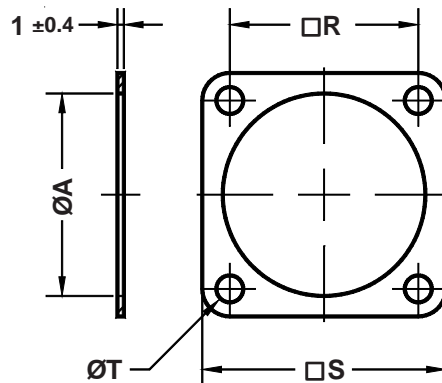


Codice P.N.	Dimens. Guscio Shell size	ØA ±0.25	ØB ±0.25	ØC ±0.78
TP02-14S	Plug 18	24.40	27.05	30.00
IT90376-20Y	Receptacle 18	29.21	30.86	35.71
IT90376-22Y	Plug 22	32.26	34.04	38.10
IT90376-24R	Receptacle 22	37.16	38.94	43.18
IT90376-24Y	Plug 24	35.30	37.08	41.66
TP02-24	Receptacle 24	40.65	43.20	47.00
TP02-24	Plug 28	40.65	43.20	47.00
TP02-28	Receptacle 28	46.45	49.05	52.00
IT90376-28R	Plug 32	43.56	45.46	49.53
TP02-32	Receptacle 32	53.15	55.75	60.00
IT90376-36R	Plug 40	56.26	58.16	61.85
TP02-40	Receptacle 40	65.25	67.85	72.00

Tappo di protezione contro la polvere.

*Cap for protection against dust.*

**Guarnizione per connettori da pannello**  
*Gasket for fixed connectors*

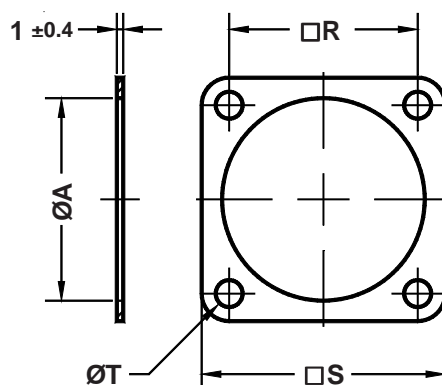


Codice Commital Commital P/N	Dim. guscio Shell size	$\varnothing A$ +1	R $\pm 0.2$	S $\pm 0.5$	$\varnothing T$ +0.5
IT 40450 - 18	18	28.4	27.0	35.0	4.2
IT 40450 - 22	22	34.8	31.8	41.0	4.2
IT 40450 - 24	24	38.0	34.9	44.5	4.2
IT 40450 - 28	28	44.3	39.7	50.8	5.1
IT 40450 - 32	32	50.7	44.5	57.0	5.1
IT 40450 - 40	40	61.9	55.5	69.9	5.1

Guarnizione per connettore fisso con montaggio da fronte pannello, non conduttiva.

*Gasket for front panel mounting receptacle, non conductive.*

**Guarnizione per connettori da pannello**  
*Gasket for fixed connectors*



Codice Commital Commital P/N	Dim. guscio Shell size	ØA +0.3	R ±0.2	S ±0.5	ØT +0.5
IT 40460 - 18	18	30.8	27.0	35.0	4.2
IT 40460 - 22	22	37.4	31.8	41.0	4.2
IT 40460 - 24	24	40.9	34.9	44.5	4.2
IT 40460 - 28	28	46.7	39.7	50.8	5.1
IT 40460 - 32	32	53.4	44.5	57.0	5.1
IT 40460 - 40	40	65.5	55.5	69.9	5.1

Guarnizione per connettore fisso a flangia  
 quadra con montaggio da retro pannello, non  
 conduttiva.

*Gasket for square flange receptacle for rear  
 panel mounting, non conductive.*

<u>FR</u>	<u>ITZ</u>	<u>31</u>	<u>06</u>	<u>R</u>	<u>22-14</u>	<u>S</u>	<u>X</u>	<u>CRG21.2</u>	<u>(...)</u>	<u>H</u>
<i>1</i>	<i>2</i>	<i>3</i>	<i>4</i>	<i>5</i>	<i>6</i>	<i>7</i>	<i>8</i>	<i>5</i>	<i>9</i>	<i>2</i>

- 1* Omesso / *Omitted* : Standard  
FR : Gomma resistente alla fiamma / *Fire resistant rubber*
- 2* ITZ ... H : Connettore con attacco a vite / *Threaded coupling connector*
- 3* 31 : Contatti a saldare / *Solder contacts*  
41 : Contatti a pinzare / *Crimp contacts*
- 4* Configurazione / *Style* : 00 - 02 - 06 - 08
- 5* Classe / *Class* : A ... CRG - A ... D2 - A ... PM - A ... PHM - A  
R... 02 - R ... CRG - R ... D2 - R
- 6* Disposizione contatti / *Contact arrangement*
- 7* P : Contatti maschio / *Pin contacts*  
S : Contatti femmina / *Socket contacts*
- 8* W - X - Y - Z : Rotazioni alternative degli inserti / *Alternate positions of the inserts*
- 9* Modifiche (vedi sotto) / *Modifications (see below)*

## **MODIFICHE MODIFICATIONS**

### **Segle connettori speciali**

#### **Contatti**

Omesso per versione standard ( argentati )  
B0 : Connettore senza contatti  
B1 : Connettore con contatti dorati

#### **Custodie**

Omesso per versione standard ( . . . )  
N0 : Connettore senza custodia

#### **Trattamenti**

Omesso per versione standard ( Cataforesi nera )  
F7 : Cataforesi nera conduttiva

### **Special part numbers**

#### **Contacts**

*Omitted for standard version ( silver plated )*  
B0 : *Connector less contacts*  
B1 : *Connector with gold plated contacts*

#### **Backshells**

*Omitted for standard version ( . . . )*  
N0 : *Connector less backshell*

#### **Platings**

*Omitted for standard version ( non conductive black )*  
F7 : *Cadmium free conductive black*