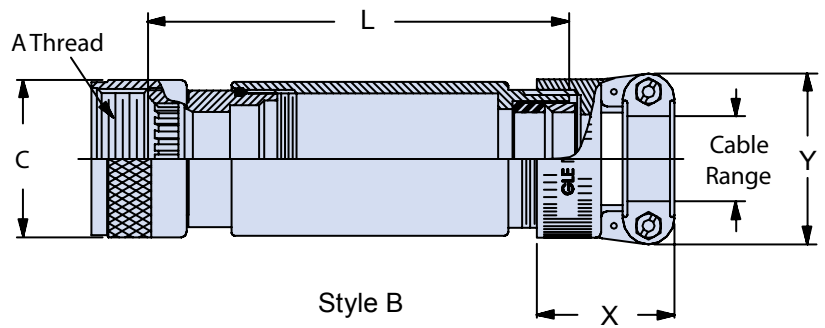
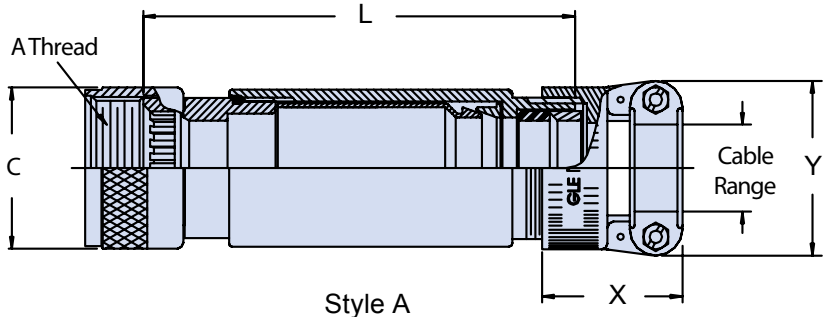
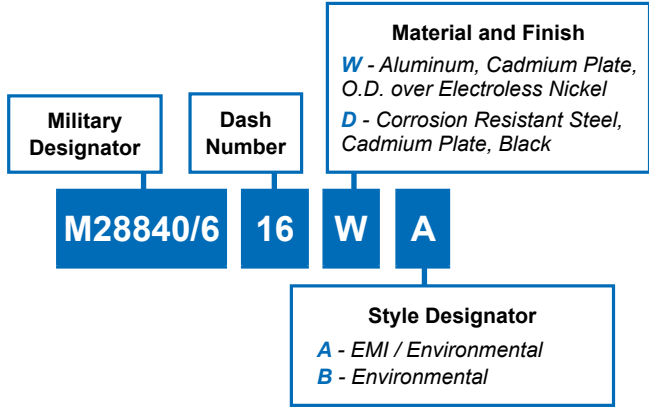




M28840/6 EMI/RFI Environmental Backshell



Dimensions in Inches (millimeters) are subject to change without notice.

E

M28840/6 EMI/RFI Environmental Backshell



MIL-DTL-28840
Electrical Connectors

DASH NO.	Designator	A Thread Class 2B	L ± .12	C Max Dia	X Max	Cable Range		Y Ref	
						Max	Min		
01	A (11)	.750-20 UNEF	3.62 (91.95)	1.156 (29.36)	1.281 (32.54)	.312 (7.92)	.188 (4.77)	.938 (23.83)	
02	B (13)	.875-20 UNEF		1.156 (29.36)		.312 (7.92)	.188 (4.77)	.938 (23.83)	
03				.438 (11.12)		.281 (7.14)	1.125 (28.58)		
04	C (15)	1.00-20 UNEF		4.12 (104.65)		1.281 (32.54)	.312 (7.92)	.188 (4.77)	.938 (23.83)
05							.438 (11.12)	.281 (7.14)	1.125 (28.58)
06							.562 (14.27)	.344(8.74)	1.312 (33.32)
07	D (17)	1.125-18UNEF	4.12 (104.65)	1.406 (35.71)	1.312 (33.32)	.750 (19.05)	.438(11.12)	1.593 (40.46)	
08					1.281 (32.54)	.625 (15.87)	.675(15.88)	1.312 (33.32)	
09					1.312 (33.32)	.750(19.05)	.438(11.12)	1.593 (40.46)	
10				1.531 (38.89)	1.406 (35.71)	.938 (23.82)	.625(15.88)	1.750 (44.45)	
11					1.281 (32.54)	.625(15.87)	.375 (9.53)	1.312 (33.32)	
12					1.406 (35.71)	.938(23.82)	.625 15.87)	1.750 (44.45)	
13	F (23)	1.438-18 UNEF	4.62 (117.35)	1.656 (42.06)	1.312 (33.32)	.750 (19.05)	.438(11.12)	1.593 (40.46)	
14					1.406 (35.71)	.938(23.82)	.625(15.87)	1.250 (31.75)	
15				1.593 (40.46)	1.188 (30.17)	.812 (20.62)	2.093 (53.16)		
16	G (25)	1.562-18 UNEF	5.12 (130.01)	1.781 (45.24)	1.406 (35.71)	.938 (23.82)	.625 (15.88)	1.750 (44.45)	
17					1.593 (40.46)	1.188 (30.17)	.812 (20.62)	2.093 (53.16)	
18					1.593 (40.46)	1.250 (31.75)	.875 (22.23)	2.093 (53.16)	
19				2.156 (54.76)	1.625 (41.28)	1.380 (35.05)	1.000(25.4)	2.343 (59.51)	
20					1.593 (40.46)	1.188 (30.17)	.812 (20.62)	2.093 (53.16)	
21					1.625 (41.28)	1.380 (38.05)	1.000(25.4)	2.343 (59.51)	
22	H (29)	1.875-16 UNS	5.12 (130.01)	2.281 (57.94)	1.625 (41.28)	1.380 (35.05)	1.000(25.4)	2.343 (59.51)	
23					1.900 (48.26)	1.625(41.28)	1.250 (25.4)	2.750 (69.85)	
24	A (11)	.750-20 UNEF	3.62 (91.95)	1.156 (29.36)	1.281 (32.54)	.438 (11.12)	.281 (7.14)	1.125 (28.58)	
25						1.281 (32.54)	.562 (14.27)	.344 (8.74)	1.312 (33.32)
26	B (13)	.875-20 UNEF	4.12 (104.65)	1.406 (35.71)		.562 (14.27)	.344 (8.74)	1.312 (33.32)	
27						.625 (15.87)	.375 (9.52)	1.312 (33.32)	
28	C (15)	1.000-20 UNEF	4.12 (104.65)	1.406 (35.71)		.625 (15.87)	.375 (9.52)	1.312 (33.32)	

E

Dimensions in Inches (millimeters) are subject to change without notice.



M28840/6
EMI/RFI Environmental Backshell

Dash Number	Designator 1/	L ± .12 (± 3.05)	Working Room Ref.	V Thread Class 2*	X Max. Diameter	Y Max. Diameter
01	A (11)	3.62 (91.55)	2.00 (50.80)	.625-24 UNEF	1.281 (32.53)	.038 (23.82)
02	B (13)			.625-24 UNEF		1.125 (23.82)
03				.750-20 UNEF		
04	C (15)			.625-24 UNEF		.938 (23.82)
05				.750-20 UNEF		1.125 (28.57)
06				.875-20 UNEF		1.312 (33.32)
07	D (17)	4.12 (104.65)	2.50 (63.50)	1.188-18 UNEF	1.312 (33.32)	1.593 (40.62)
08				1.000-20 UNEF	1.281 (32.54)	1.312 (33.32)
09				1.188-19 UNEF	1.312 (33.32)	1.593 (40.62)
10				1.438-18 UNEF	1.406 (35.71)	1.750 (44.45)
11	E (19)	4.12 (104.65)	2.50 (63.50)	1.000-20 UNEF	1.281 (32.54)	1.312 (33.32)
12				1.438-18 UNEF	1.406 (35.71)	1.750 (44.45)
13				1.188-18 UNEF	1.312 (33.32)	1.593 (40.62)
14	F (23)	4.62 (117.35)	3.00 (76.20)	1.438-18 UNEF	1.406 (35.71)	1.750 (44.45)
15				1.750-18 UNS	1.593 (40.46)	2.003 (53.16)
16				1.438-18 UNEF	1.406 (35.71)	1.750 (44.45)
17	G (25)	5.12 (130.05)	3.50 (88.90)	1.750-18 UNS	1.593 (40.46)	2.093 (53.16)
18				1.750-18 UNS		2.093 (53.16)
19				2.000-18 UNS	1.625 (41.28)	2.343 (59.51)
20				1.750-18 UNS	1.593 (40.46)	2.093 (53.16)
21	H (29)	5.12 (130.05)	3.50 (88.90)	2.000-18 UNS	1.625 (41.28)	2.343 (59.51)
22				2.000-18 UNS		
23	J (33)	5.12 (130.05)	3.50 (88.90)	2.250-16 UNS	1.900 (48.26)	2.750 (69.85)
24				.750-20 UNEF	1.281 (32.54)	1.125 (28.57)
25	A (11)	3.62 (91.95)	2.00 (50.80)	.875-20 UNEF		1.312 (33.32)
26	B (13)					

Dimensions in Inches (millimeters) are subject to change without notice.