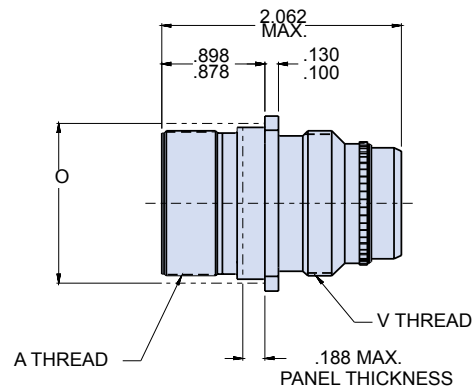
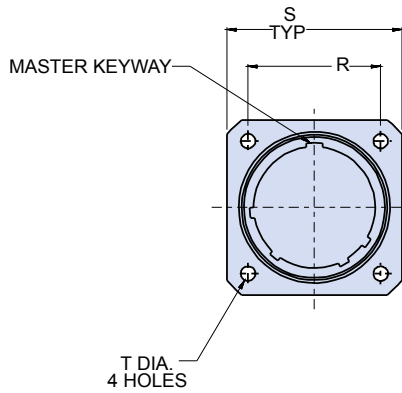
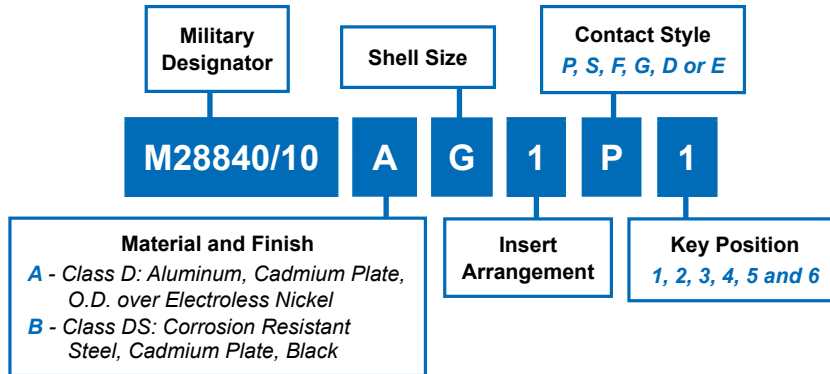




M28840/10 Wall Mount Receptacle Connector



Military Shell Size	Shell Size	A Thread Class 2A	V Thread Class 2A	O Ref. Mtg. Hole	R True Position ϕ to ϕ	S	T Diameter
A	11	.750-1P-.2L-D.S.	.750-20 UNEF	.812 (20.62)	.750 (19.05)	1.043 (26.49) 1.003 (25.48)	.130 (3.30) .115 (2.92)
B	13	.875-1P-.2L-D.S.	.875-20 UNEF	.937 (23.80)	.843 (21.41)	1.158 (29.41) 1.118 (28.40)	
C	15	1.062-1P-.2L-D.S.	1.000-20 UNEF	1.124 (28.55)	.968 (24.59)	1.278 (32.46) 1.238 (31.45)	
D	17	1.125-1P-.2L-D.S.	1.125-18 UNEF	1.187 (30.15)	1.015 (25.78)	1.403 (35.64) 1.363 (34.62)	
E	19	1.312-1P-.2L-D.S.	1.250-18 UNEF	1.374 (34.90)	1.140 (28.96)	1.528 (38.81) 1.488 (37.80)	
F	23	1.500-1P-.2L-D.S.	1.437-18 UNEF	1.562 (39.67)	1.281 (32.54)	1.738 (44.15) 1.698 (43.13)	
G	25	1.625-1P-.2L-D.S.	1.562-18 UNEF	1.687 (42.85)	1.392 (35.36)	1.838 (46.69) 1.798 (45.67)	.157 (3.99) .142 (3.61)
H	29	1.812-1P-.2L-D.S.	1.875-16 UN	1.874 (47.60)	1.568 (39.83)	2.158 (54.81) 2.118 (53.80)	
J	33	2.000-1P-.2L-D.S.	2.062-16 UNS	2.062 (52.37)	1.734 (44.04)	2.348 (59.64) 2.308 (58.62)	

Dimensions in Inches (millimeters) are subject to change without notice.