

M32139/03 and /04 Insulated Wire Connectors

feature gold alloy TwistPin contacts. Contacts are precision-crimped to insulated, stranded wire. These nanominiature connectors offer premium performance and reliability for demanding applications. Contact spacing is .025 inches. 1 amp current rating, DWV rating 250 volts AC.

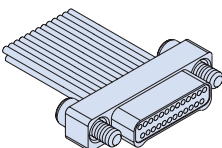
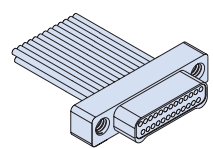
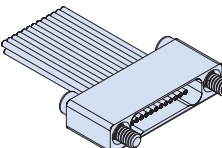
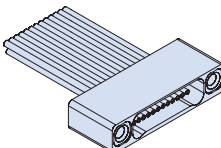
TwistPin Contact System assures premium performance in demanding environments. The gold alloy contacts will stand up to years of exposure without corrosion.

Typical Applications include UAV's, satellites, missile systems and geophysical instruments.

M32139 Wire Type			
Wire Type	Specification	Color	Length Inches (mm)
01	NEMA HP3-ETXBBB	White	6 (152)
02	NEMA HP3-ETXBBB	White	18 (457)
03	NEMA HP3-ETXBBB	White	36 (914)
04	NEMA HP3-ETXBBB	10 Color ⁽²⁾	6 (152)
05	NEMA HP3-ETXBBB	10 Color ⁽²⁾	18 (457)
06	NEMA HP3-ETXBBB	10 Color ⁽²⁾	36 (914)
07	M22759/33-30	White	6 (152)
08	M22759/33-30	White	18 (457)
09	M22759/33-30	White	36 (914)
10	M22759/33-30	10 Color ⁽²⁾	6 (152)
11	M22759/33-30	10 Color ⁽²⁾	18 (457)
12	M22759/33-30	10 Color ⁽²⁾	36 (914)
13	04047-30A ⁽¹⁾	White	6 (152)
14	04047-30A ⁽¹⁾	White	18 (457)
15	04047-30A ⁽¹⁾	White	36 (914)
16	04047-30A ⁽¹⁾	10 Color ⁽²⁾	6 (152)
17	04047-30A ⁽¹⁾	10 Color ⁽²⁾	18 (457)
18	04047-30A ⁽¹⁾	10 Color ⁽²⁾	36 (914)

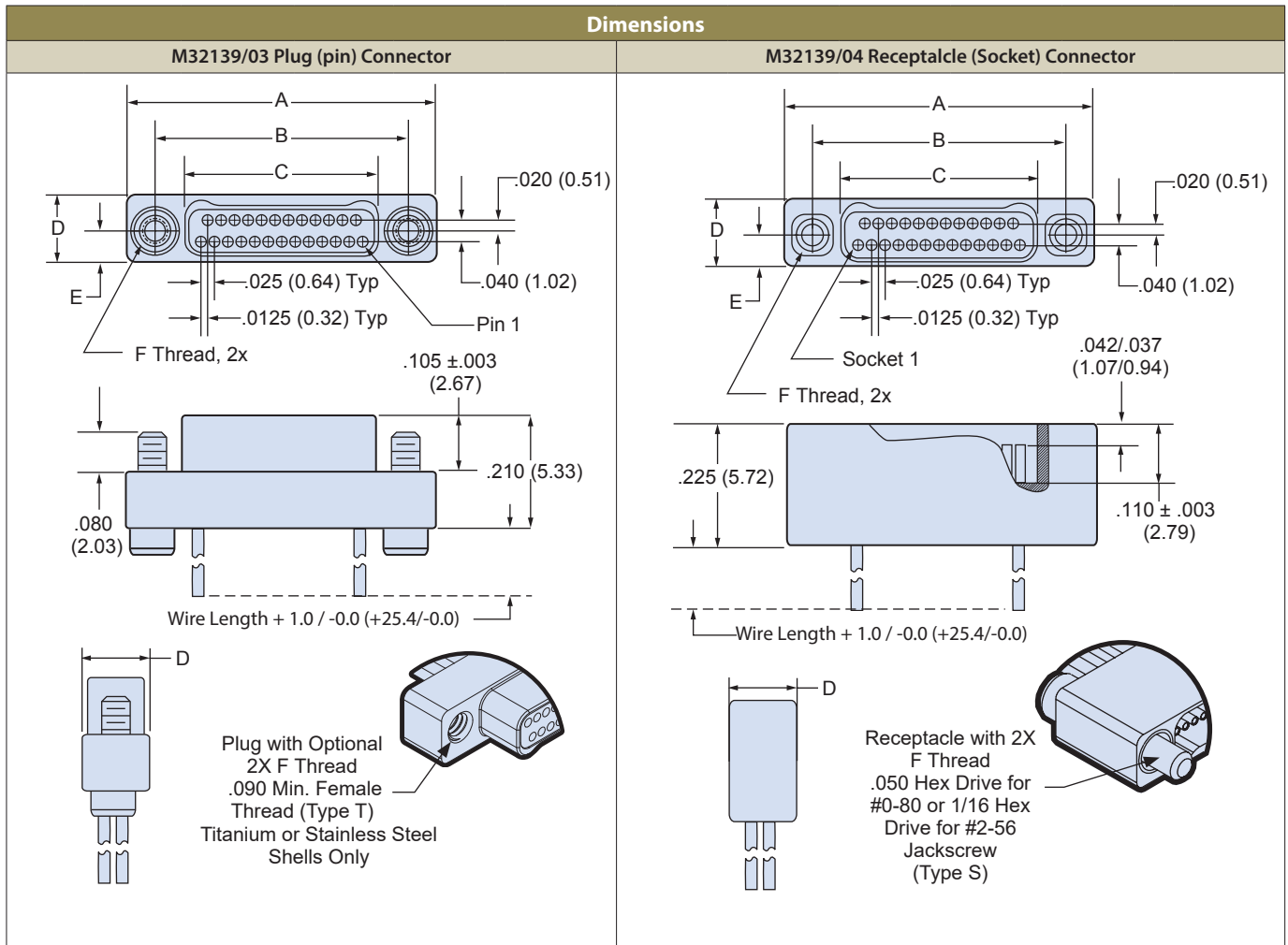
1. DSCC 04047 is a special composite wire subject to additional cost and longer delivery.
2. Color coding per MIL-STF-681, System 1, except using ten solid colors in repeating sequence.

How To Order						
Sample Part Number	M32139/03 -D 01 S N S					
Series	M32139/03 = Plug, Pin Contacts, Dual Row, Nanominiature M32139/04 = Receptacle, Socket Contacts, Dual Row, Nanominiature					
Insert Arrangements	A = 9 contacts B = 15 contacts C = 21 contacts D = 25 contacts E = 31 contacts F = 37 contacts G = 51 contacts H = 65 contacts J = 69 contacts K = 85 contacts					
Wire Type	All wire types specify 30 AWG stranded wire. See M32139 Wire Type Table					
Hardware	S = Jackscrew T = Threaded Hole female threads available for plug connectors only if shell material is titanium or stainless steel					
Shell Material and Finish	C = Aluminum, Cadmium Finish (Not for Space) S = Stainless Steel, Passivated Finish N = Aluminum, Electroless Nickel Finish T = Titanium (Unplated)					
Space Class	(Omit) = for non-space applications S = Space Grade					

Plug (Pin) Connector		Receptacle (Socket) Connector	
			
J - Jackscrew Option	T - Female Thread Option	J - Jackscrew Option	T - Female Thread Option

NOTES

- Material and finish:
 - Shell: see part number breakdown
 - Insulator: LCP/N/A
 - Contacts: gold alloy/unplated
 - Wire: see part number breakdown
 - Hardware: stainless steel, passivated
- Inspect and Test IAW MIL-DTL-32139
- Interface dimensions per MIL-DTL-32139/3 & MIL-DTL-32139/4



Layout	A		B BSC.		C BSC.		D		E BSC.		F Thread
	In. ± .005	mm. ± 0.13	In.	mm.	In.	mm.	In. ± .005	mm ± 0.13	In.	mm	
9P	.375	9.52	.270	6.86	.160	4.06	.125	3.18	.0575	1.46	#0-80 UNF
9S	.375	9.52	.270	6.86	.163	4.14	.125	3.18	.0575	1.46	#0-80 UNF
15P	.450	11.43	.345	8.76	.235	5.97	.125	3.18	.0575	1.46	#0-80 UNF
15S	.450	11.43	.345	8.76	.238	6.04	.125	3.18	.0575	1.46	#0-80 UNF
21P	.525	13.33	.420	10.67	.310	7.87	.125	3.18	.0575	1.46	#0-80 UNF
21S	.525	13.33	.420	10.67	.313	7.95	.125	3.18	.0575	1.46	#0-80 UNF
25P	.575	14.60	.470	11.94	.360	9.14	.125	3.18	.0575	1.46	#0-80 UNF
25S	.575	14.60	.470	11.94	.363	9.22	.125	3.18	.0575	1.46	#0-80 UNF
31P	.650	16.51	.545	13.84	.435	11.05	.125	3.18	.0575	1.46	#0-80 UNF
31S	.650	16.51	.545	13.84	.438	11.12	.125	3.18	.0575	1.46	#0-80 UNF
37P	.725	18.41	.620	15.75	.510	12.95	.125	3.18	.0575	1.46	#0-80 UNF
37S	.725	18.41	.620	15.75	.513	13.03	.125	3.18	.0575	1.46	#0-80 UNF
51P	.900	22.86	.795	20.19	.685	17.40	.125	3.18	.0575	1.46	#0-80 UNF
51S	.900	22.86	.795	20.19	.688	17.47	.125	3.18	.0575	1.46	#0-80 UNF
65P	1.075	27.30	.970	24.64	.860	21.84	.125	3.18	.0575	1.46	#0-80 UNF
65S	1.075	27.30	.970	24.64	.863	21.92	.125	3.18	.0575	1.46	#0-80 UNF
69P	1.125	28.57	1.020	25.91	.910	23.11	.125	3.18	.0575	1.46	#0-80 UNF
69S	1.125	28.57	1.020	25.91	.913	23.19	.125	3.18	.0575	1.46	#0-80 UNF
85P	1.377	34.97	1.246	31.65	1.110	28.19	.150	3.81	.0700	1.78	#2-56 UNC
85S	1.377	34.97	1.246	31.65	1.113	28.27	.150	3.81	.0700	1.78	#2-56 UNC