

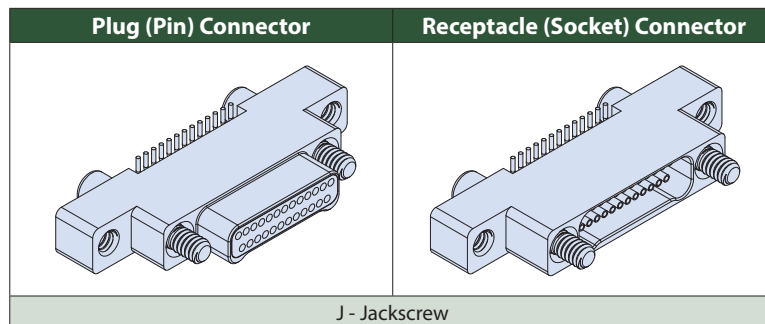
Vertical Surface Mount PCB Connectors feature gold alloy TwistPin contacts. Contacts are precision-crimped #30 AWG gold-plated wire. These nanominiature connectors offer premium performance and reliability for demanding applications.

Choose Aluminum, Titanium or Stainless Steel Shells in eleven layouts from 9 to 85 contacts. Complies to the requirements of MIL-DTL-32139.

Pre-Tinned PC Tails are coated with Sn63Pb37 or Sn60Pb40 tin-lead for excellent solderability.

How to Order	
Sample Part Number	891-017 -25P A2 -BSS J
Series	891-017 Plug, Vertical Surface Mount Connector 891-018 Receptacle, Vertical Surface Mount Connector
Insert Arrangement/Contact Type	Pins (891-017 Plugs): 9P, 15P, 21P, 25P, 31P, 37P, 41P, 51P, 65P, 69P, 85P Sockets (891-018 Receptacles): 9S, 15S, 21S, 25S, 31S, 37S, 41S, 51S, 65S, 69S, 85S
Shell Material and Finish	A1 - Aluminum Shell, Cadmium Plating T - Titanium Shell, Unplated A2 - Aluminum Shell, Electroless Nickel Plating S - Stainless Steel Shell, Passivated
Termination Type	BSS - Board Surface Mount Straight
Hardware	J - Hex Head Jackscrew

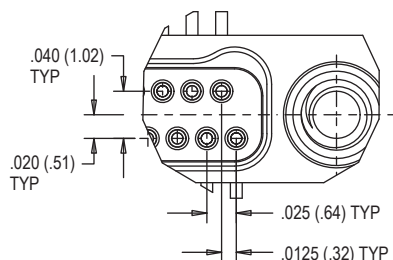
D



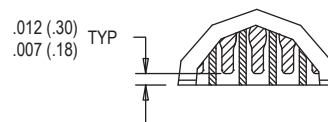
NOTES

- Material and Finish
 - Shell: see part number break down
 - Insulator: LCP/N/A
 - Contacts: gold alloy / unplated
 - Pre-tinned PC tails: coated with Sn63Pb37 or Sn60Pb40 tin-lead
 - Hardware: passivated stainless steel
- Inspect and Test IAW MIL-DTL-32139
- Interface dimensions per MIL-DTL-32139/3 and /4

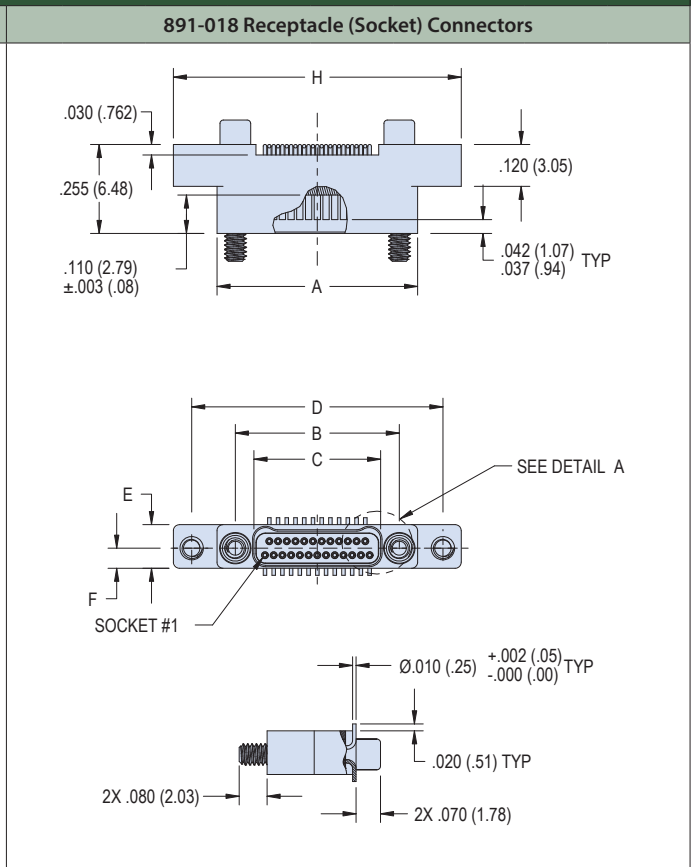
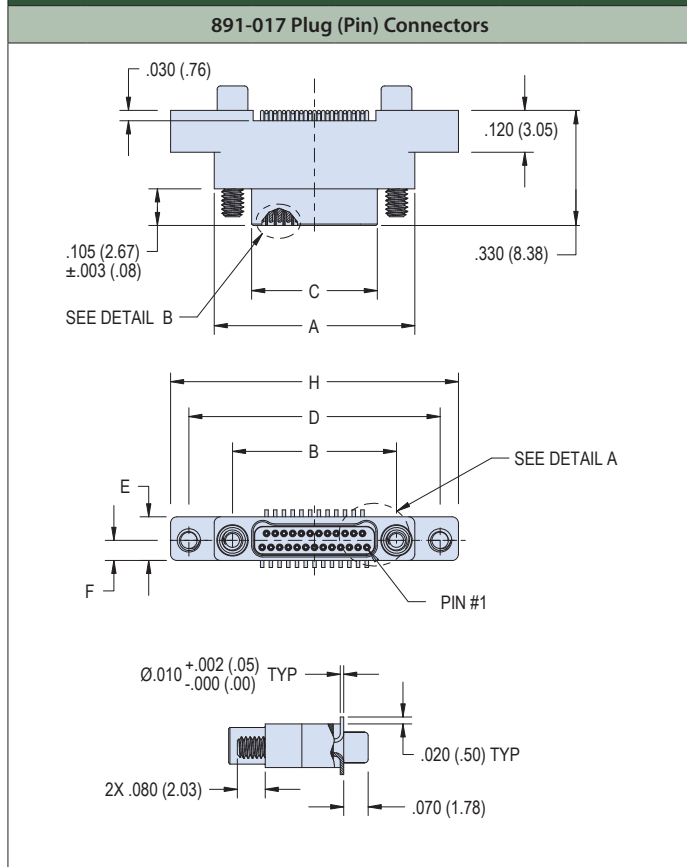
DETAIL A



DETAIL B

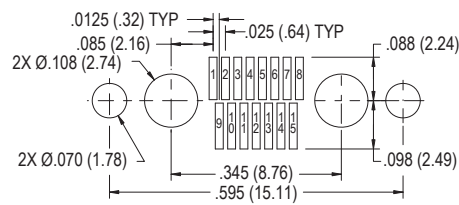
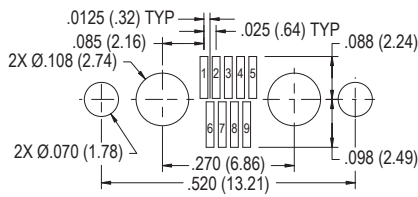
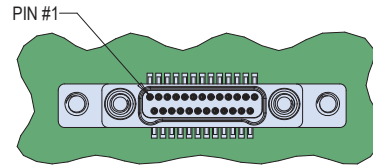
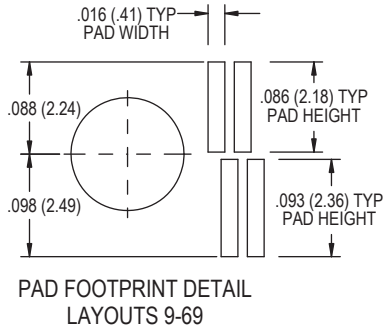


Dimensions



Layout	A		B BSC.		C BSC.		D		E		F BSC.		G Thread	H	
	In. ± .005	mm. ± 0.13	In.	mm.	In.	mm.	In. ± .005	mm. ± 0.13	In. ± .005	mm. ± 0.13	In.	mm.		In.	mm.
9P	.375	9.52	.270	6.86	.160	4.06	.520	13.21	.125	3.18	.0575	1.46	#0-80 UNF	.625	15.88
9S	.375	9.52	.270	6.86	.163	4.14	.520	13.21	.125	3.18	.0575	1.46	#0-80 UNF	.625	15.88
15P	.450	11.43	.345	8.76	.235	5.97	.595	15.11	.125	3.18	.0575	1.46	#0-80 UNF	.700	17.78
15S	.450	11.43	.345	8.76	.238	6.04	.595	15.11	.125	3.18	.0575	1.46	#0-80 UNF	.700	17.78
21P	.525	13.33	.420	10.67	.310	7.87	.670	17.018	.125	3.18	.0575	1.46	#0-80 UNF	.775	19.69
21S	.525	13.33	.420	10.67	.313	7.95	.670	17.02	.125	3.18	.0575	1.46	#0-80 UNF	.775	19.69
25P	.575	14.60	.470	11.94	.360	9.14	.720	18.29	.125	3.18	.0575	1.46	#0-80 UNF	.825	20.96
25S	.575	14.60	.470	11.94	.363	9.22	.720	18.29	.125	3.18	.0575	1.46	#0-80 UNF	.825	20.96
31P	.650	16.51	.545	13.84	.435	11.05	.795	20.19	.125	3.18	.0575	1.46	#0-80 UNF	.900	22.86
31S	.650	16.51	.545	13.84	.438	11.12	.795	20.19	.125	3.18	.0575	1.46	#0-80 UNF	.900	22.86
37P	.725	18.41	.620	15.75	.510	12.95	.870	22.10	.125	3.18	.0575	1.46	#0-80 UNF	.975	24.77
37S	.725	18.41	.620	15.75	.513	13.03	.870	22.10	.125	3.18	.0575	1.46	#0-80 UNF	.975	24.77
41P	.775	19.69	.670	17.02	.560	14.23	.920	23.37	.125	3.18	.0575	1.46	#0-80 UNF	1.025	26.04
41S	.775	19.69	.670	17.02	.563	14.30	.920	23.37	.125	3.18	.0575	1.46	#0-80 UNF	1.025	26.04
51P	.900	22.86	.795	20.19	.685	17.40	1.045	26.54	.125	3.18	.0575	1.46	#0-80 UNF	1.150	29.21
51S	.900	22.86	.795	20.19	.688	17.47	1.045	26.54	.125	3.18	.0575	1.46	#0-80 UNF	1.150	29.21
65P	1.075	27.30	.970	24.64	.860	21.84	1.220	30.99	.125	3.18	.0575	1.46	#0-80 UNF	1.325	33.66
65S	1.075	27.30	.970	24.64	.863	21.92	1.220	30.99	.125	3.18	.0575	1.46	#0-80 UNF	1.325	33.66
69P	1.125	28.57	1.020	25.91	.910	23.11	1.270	32.26	.125	3.18	.0575	1.46	#0-80 UNF	1.375	34.93
69S	1.125	28.57	1.020	25.91	.913	23.19	1.270	32.26	.125	3.18	.0575	1.46	#0-80 UNF	1.375	34.93
85P	1.377	34.97	1.246	31.65	1.110	28.19	1.546	39.27	.150	3.81	.0700	1.78	#2-56 UNC	1.679	42.65
85S	1.377	34.97	1.246	31.65	1.113	28.27	1.546	39.27	.150	3.81	.0700	1.78	#2-56 UNC	1.679	42.65

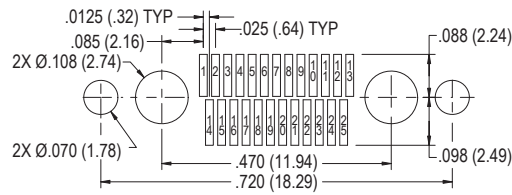
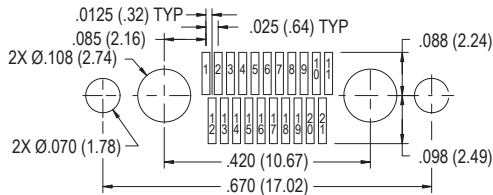




9 Contacts

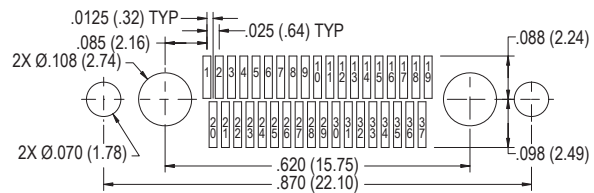
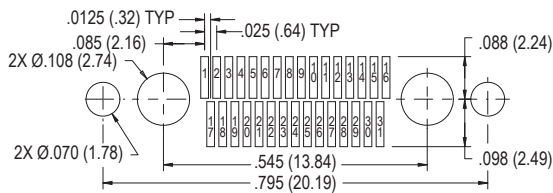
15 Contacts

D



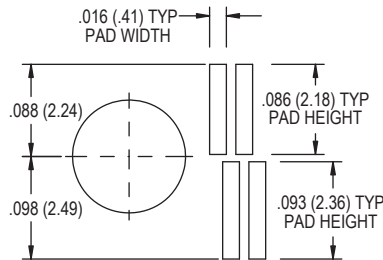
21 Contacts

25 Contacts

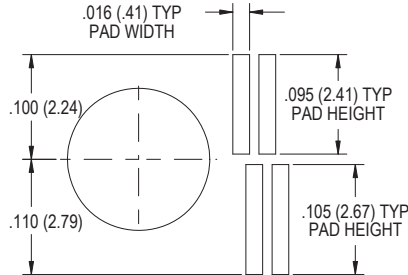


31 Contacts

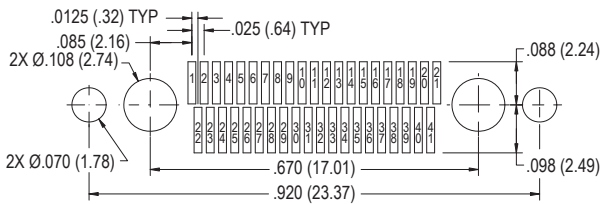
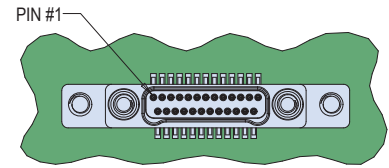
37 Contacts



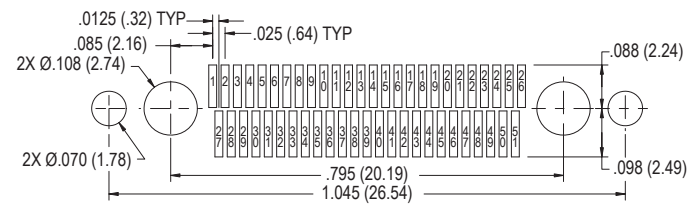
**PAD FOOTPRINT DETAIL
LAYOUTS 9-69**



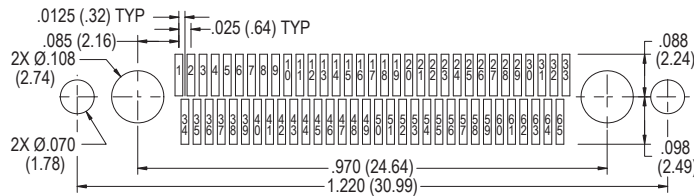
**PAD FOOTPRINT DETAIL
LAYOUT 85 ONLY**



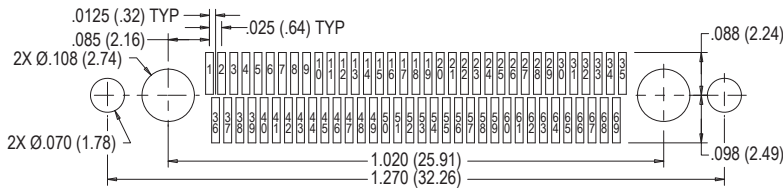
41 Contacts



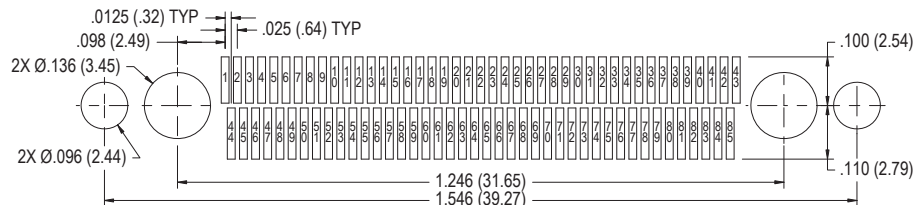
51 Contacts



65 Contacts

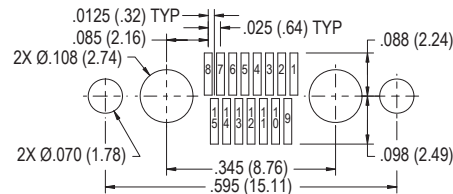
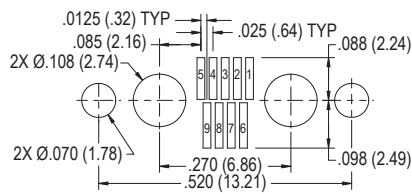
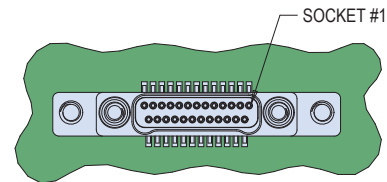
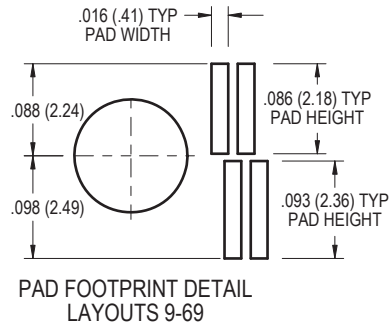


69 Contacts



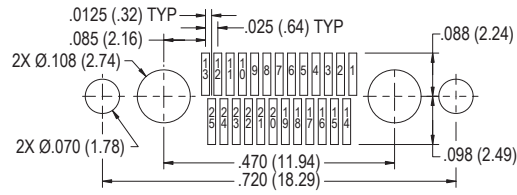
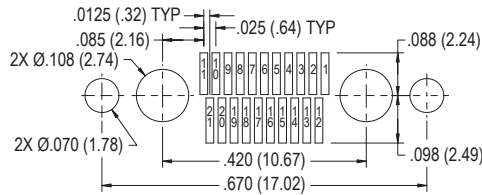
85 Contacts (See pad detail for 85 contact layout above)





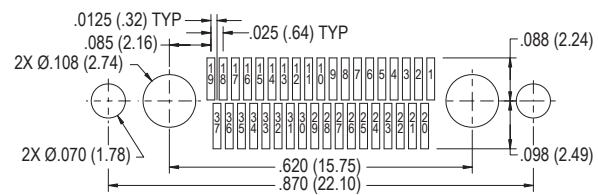
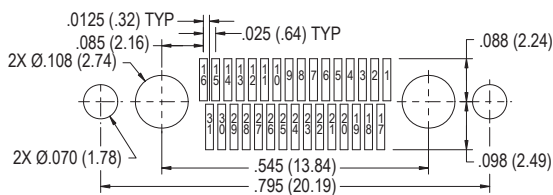
9 Contacts

15 Contacts



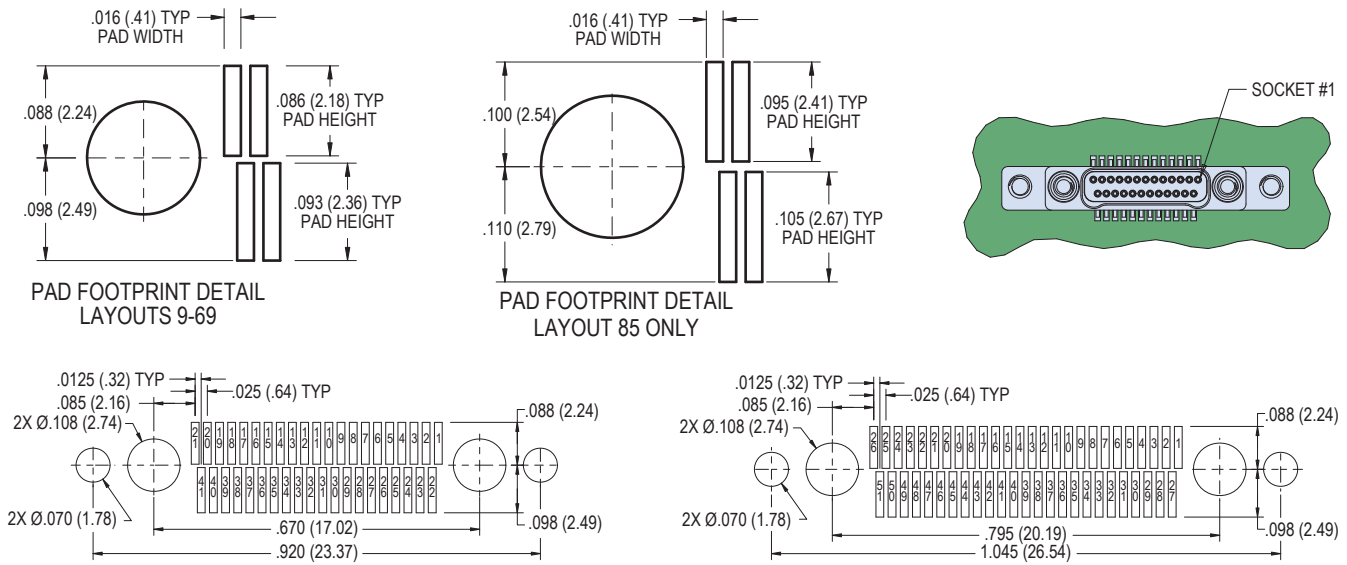
21 Contacts

25 Contacts



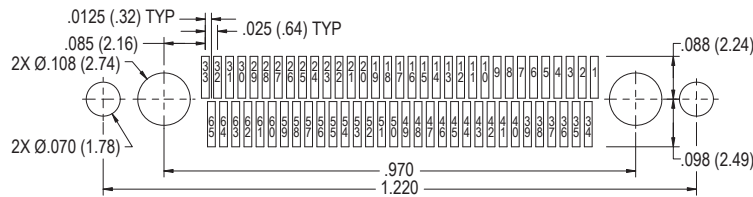
31 Contacts

37 Contacts

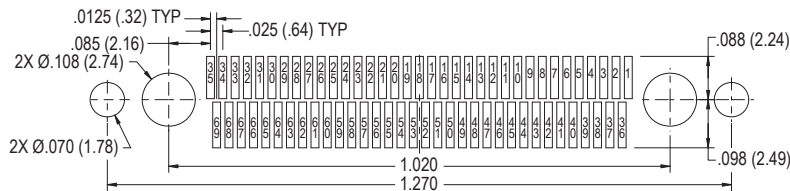


41 Contacts

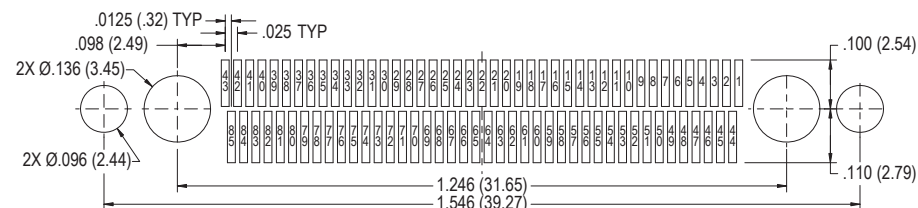
51 Contacts



65 Contacts



69 Contacts



85 Contacts (See pad footprint detail for 85 contact layout above)

