

**Glenair Rear Panel Mount Threaded Right Angle PCB Connectors** feature gold alloy TwistPin contacts, offering premium performance and reliability for demanding applications.

**Choose Aluminum or Stainless Steel Shells** in 6 layouts from 4 to 55 contacts. These connectors are intermateable with nanominiature 892-006 plug connectors.

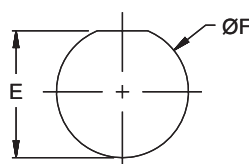
**Pre-Tinned PC Tails** are coated with Sn63Pb37 or Sn60Pb40 tin-lead for excellent solderability.

B

How To Order		893	-011	-1-7	N	A2	-0	D3	-T1
<b>Sample Part Number</b>									
<b>Series</b>	893 = Nano Circular with PC Tails								
<b>Shell Style</b>	011 = Rear Panel Mount Threaded Coupling Receptacle								
<b>Shell Size/Contact Arrangement</b>	1-4 = Shell Size 1 with 4 contacts		3-37 = Shell Size 3 with 37 contacts						
	1-7 = Shell Size 1 with 7 contacts		4-44 = Shell Size 4 with 44 contacts						
	2-19 = Shell Size 2 with 19 contacts		4-55 = Shell Size 4 with 55 contacts						
	See Receptacle Mating Face View and Contact Layout Table								
<b>Polarization</b>	N = Normal A - Alternate								
<b>Shell Material/Finish</b>	A2 = Aluminum/Electroless Nickel		S1 = Stainless Steel/Zinc Cobalt (Black)						
	A5 = Aluminum/Gold Over Nickel		S2 = Stainless Steel/Passivated						
<b>Wire Gauge</b>	0 = 30 AWG								
<b>Wire Type</b>	D3 = Single Strand Copper Alloy Wire Uninsulated, Pre-tinned								
<b>PC Tail Length (inches)</b>	T1 = .080" Lead Top	T3 = .140" Lead Top	B1 = .080" Lead Bottom	B3 = .140" Lead Bottom					
	T2 = .110" Lead Top	T4 = .170" Lead Top	B2 = .110" Lead Bottom	B4 = .170" Lead Bottom					

Receptacle Mating Face View and Contact Layout					
Size 1-4 4 Contacts	Size 1-7 7 Contacts	Size 2-19 19 Contacts	Size 3-37 37 Contacts	Size 4-44 44 Contacts	Size 4-55 55 Contacts

Rear Panel Mount Panel Cut-out		
Size	E +.002 / -.001	Ø F +.002 / -.001
1-4	.260 (6.6)	.280 (7.1)
1-7	.260 (6.6)	.280 (7.1)
2-19	.318 (8.1)	.340 (8.6)
3-37	.361 (9.2)	.378 (9.6)
4-44	.401 (10.2)	.420 (10.7)
4-55	.401 (10.2)	.420 (10.7)

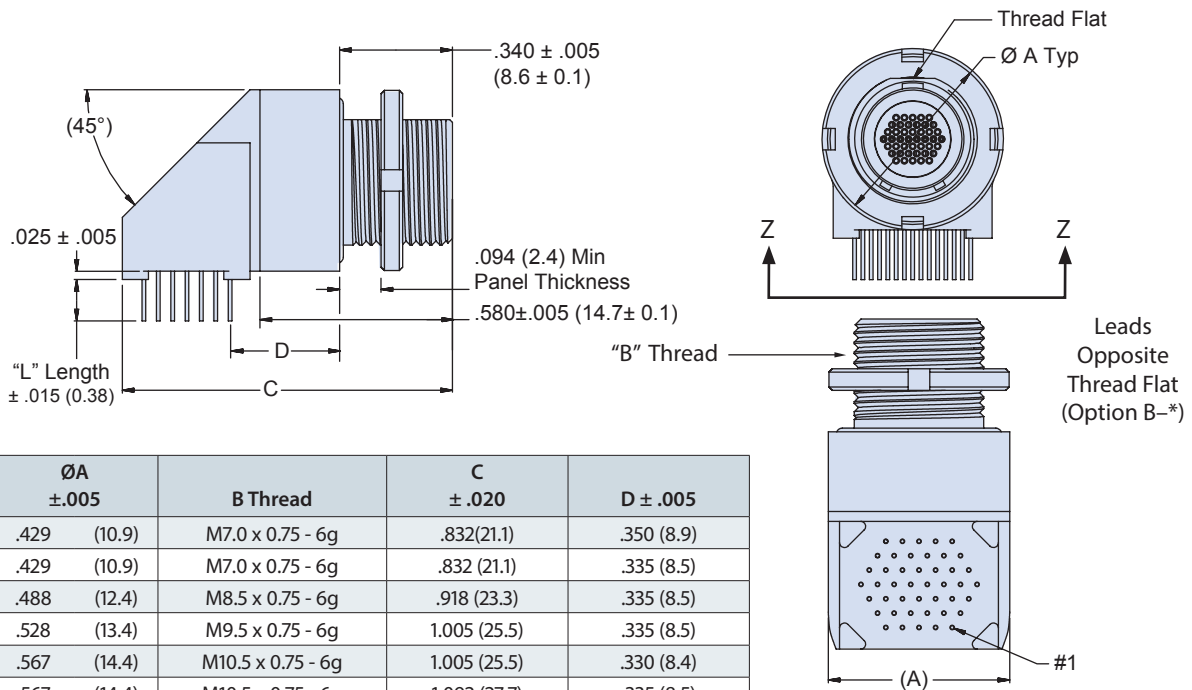


**NOTES**

- Material/Finish:
  - Shell/spanner nut - see part number breakdown
  - Insulator - LCP/na
  - Socket contacts - gold alloy
  - O-rings - fluorosilicone/na
  - Internal latching spring - stainless steel/gold plated
  - PCB tray(s) - LCP/na
  - PC tails - copper alloy/pre-tinned Sn63-Pb37 or Sn60Pb40

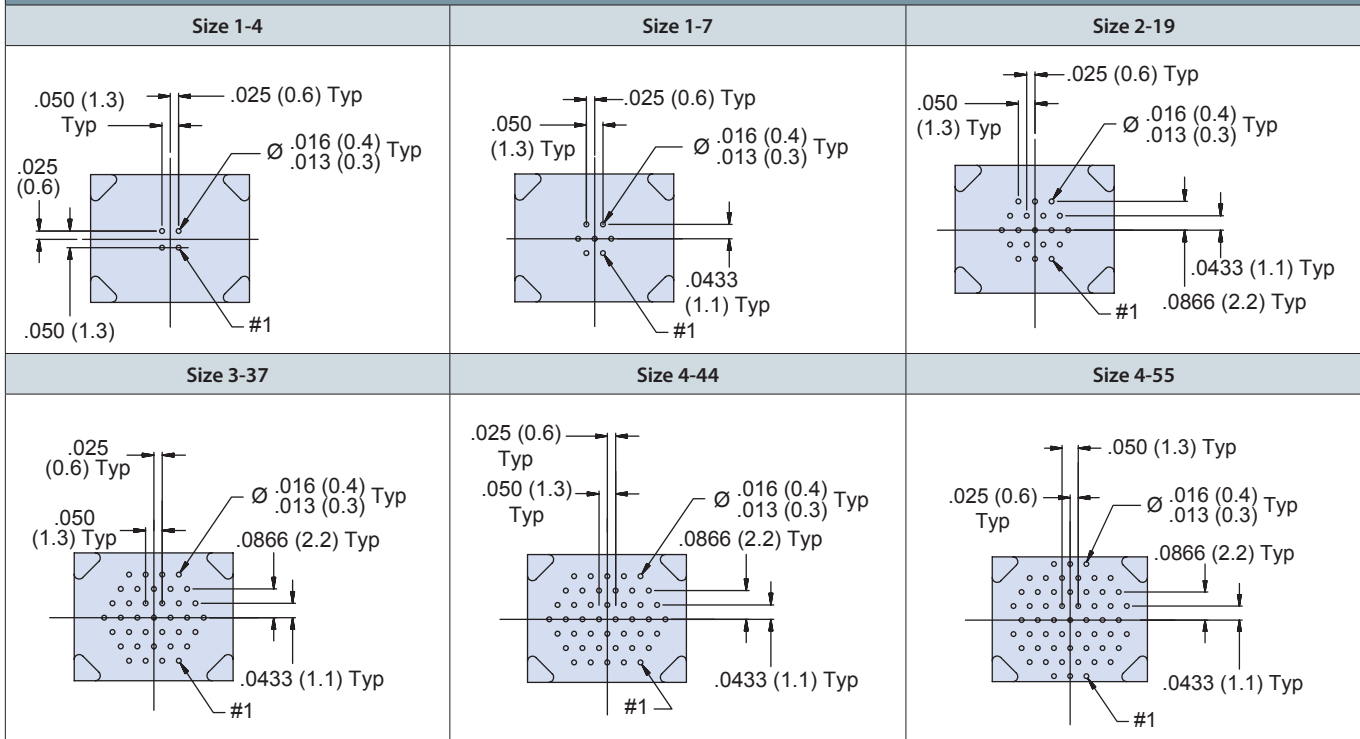
B

Dimensions for Bottom Lead Configuration



Size	ØA ±.005	B Thread	C ±.020	D ±.005
1-4	.429 (10.9)	M7.0 x 0.75 - 6g	.832(21.1)	.350 (8.9)
1-7	.429 (10.9)	M7.0 x 0.75 - 6g	.832 (21.1)	.335 (8.5)
2-19	.488 (12.4)	M8.5 x 0.75 - 6g	.918 (23.3)	.335 (8.5)
3-37	.528 (13.4)	M9.5 x 0.75 - 6g	1.005 (25.5)	.335 (8.5)
4-44	.567 (14.4)	M10.5 x 0.75 - 6g	1.005 (25.5)	.330 (8.4)
4-55	.567 (14.4)	M10.5 x 0.75 - 6g	1.092 (27.7)	.335 (8.5)

Recommended PCB Footprints Per View Z ←→ Z



**Rear Panel Mount, Threaded Receptacle with Right Angle PC Tails – Dimensions and Footprints**

